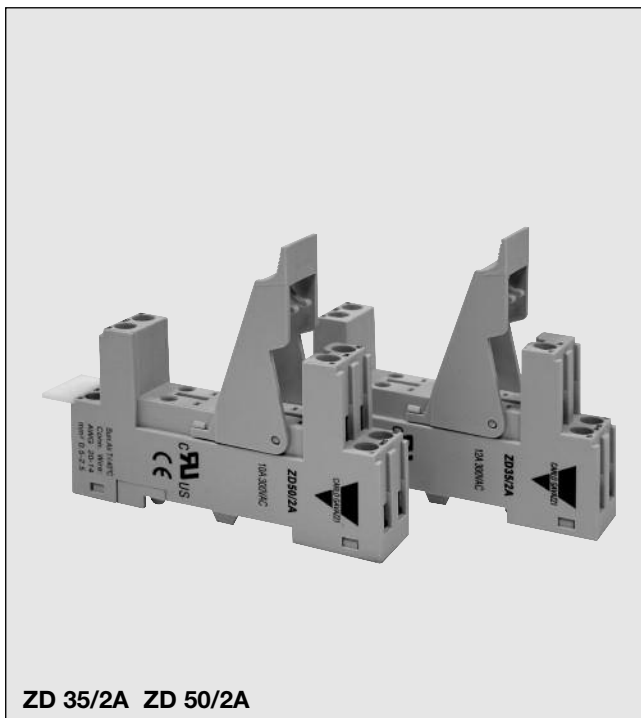
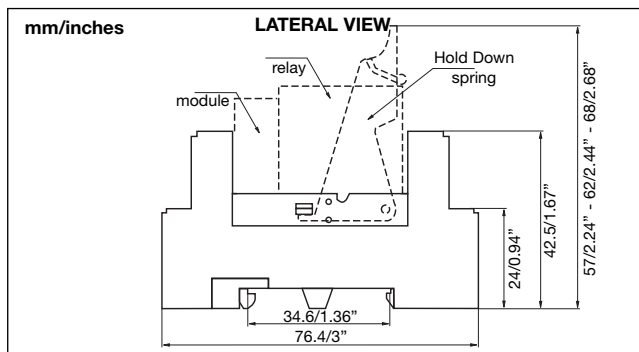
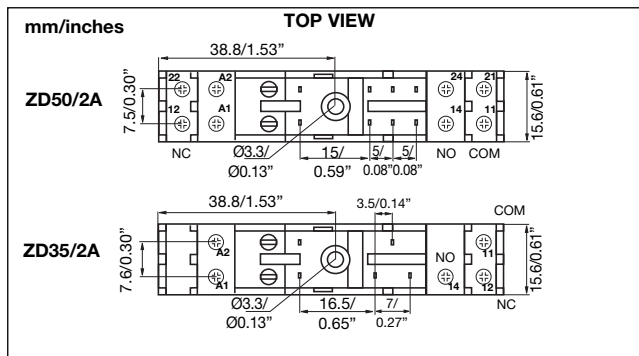


Sockets for Miniature Relays

ZD 35/2A ZD 50/2A



ZD 35/2A ZD 50/2A



General data

Plastic Material	PA66 +GF - V2
Contact Material	Cu Ni
Contact surface	5µm tin plated
Terminals	8µm zinc plated steel
Terminal type	Screw cage
Screws	5µm nickel plated 8.8 steel
Screw type	M3 with combi head (slotted, Philips Gr.1, Pozi)
Ratings @ 300VAC	12A (ZD 35/2A) 10A x 2 (ZD 50/2A)
UL Rating 300VAC	12A (ZD 35/2A) 10A x 2 (ZD 50/2A)

Operating temp.	-25° to +85°C (-13° to +185°F)
Standard colour	RAL 7035 / Pantone Grey 1C
Insulation voltage	4000V
Between Coil and Contacts	2500V
Between Contacts	
Creepage and Clearance	Gr.C250, VDE 0110b / 2.79
Maximum Screw torque	1N/m
Max Wire section	0.5-2.5mm ² (20AWG-14AWG)
Flex / compact wire	2 x 1.5mm ² (16AWG)
Cable End	
Terminal Protection degree	IP 20 (EN60529)

Note:
Hold down spring not included, remember to order proper one.

Relay Type	Socket P.N.	Hold Down Spring
MZ 100/001 16A MZ 200/002	ZD 50/2A	SZD 25
MZ 100/001 5/10A	ZD 35/2A	SZD 25

Approvals



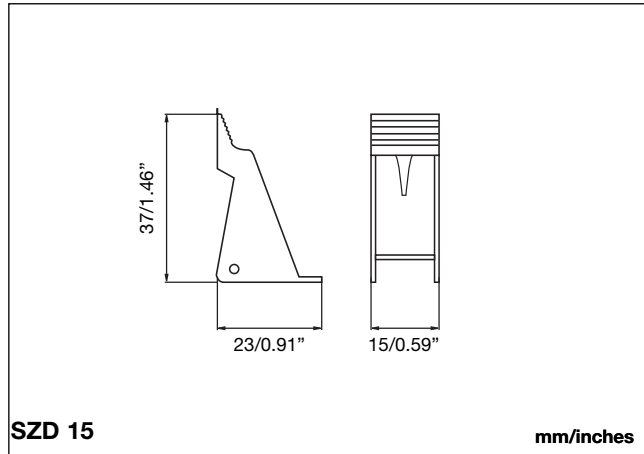
Box content: 20 sockets, 20 labels
 Box size: (W 185 x D 160 x H 50) Weight: ~800g
 (W 7.28 x D 6.30 x H 1.97) inches Weight: ~28.2oz

Optional Accessories (to be ordered separately if required)

Labels	6.73.00.61.2
Bridging bar	ZD-BB
Modules	
Hold Down Springs	

Optional Springs for ZD series

SZD 15



General data

Spring material	PA66 + GF (V0)
Spring colour	RAL 7035 / Pantone 1C

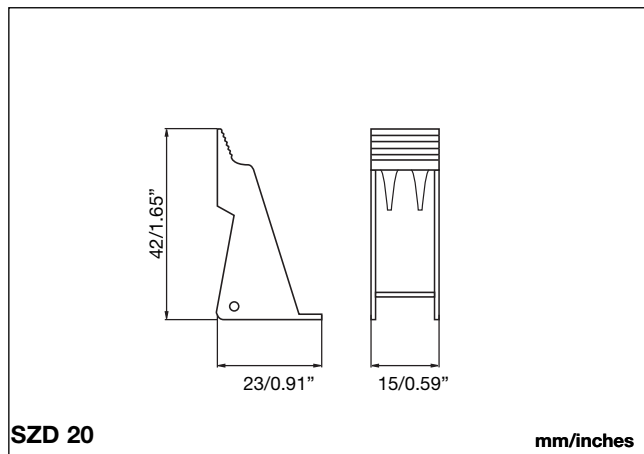
Packaging

Box content: 1 plastic bag, 10pcs.
Weight: ~20g (0.70oz)



Hold down spring for 15÷16mm (0.59÷0.63inches) high relay

SZD 20



General data

Spring material	PA66 + GF (V0)
Spring colour	RAL 7035 / Pantone 1C

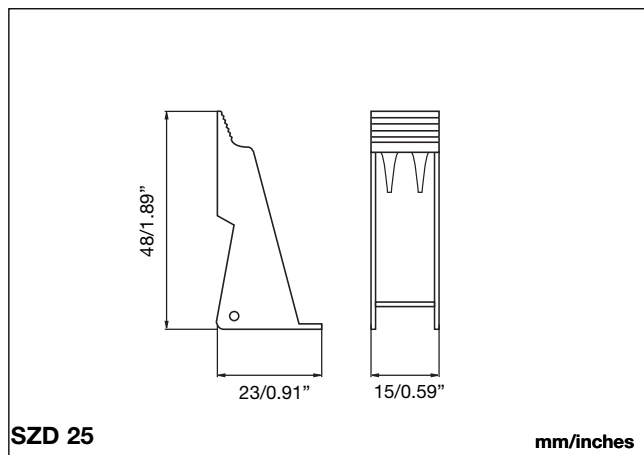
Packaging

Box content: 1 plastic bag, 10pcs.
Weight: ~20g (0.70oz)



Hold down spring for 20÷21mm (0.79÷0.83inches) high relay

SZD 25



General data

Spring material	PA66 + GF (V0)
Spring colour	RAL 7035 / Pantone 1C

Packaging

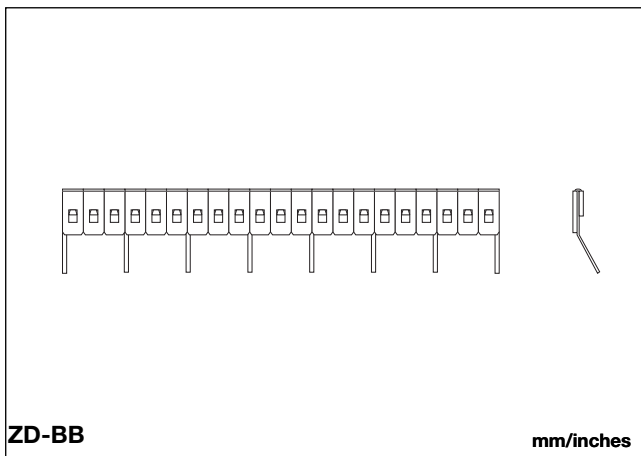
Box content: 1 plastic bag, 10pcs.
Weight: ~20g (0.70oz)



Hold down spring for 25÷28mm (0.98÷1.10inches) high relay

Optional sockets bridging bars

ZD-BB



General data

Plastic insulator material	PA66 + GF (V0)
Plastic insulator colour	Black
Metal jumper	Tinned copper

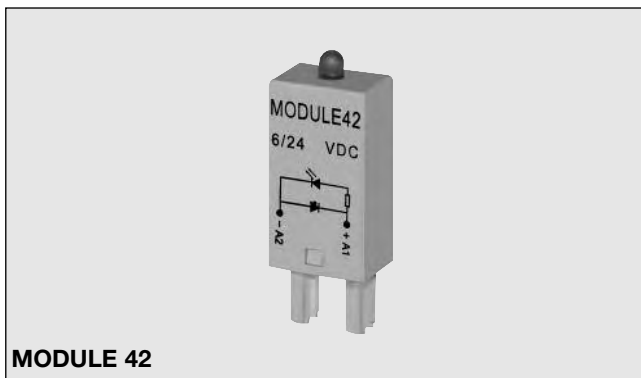
Packaging

Box content: 1 plastic bag, 10pcs.
Weight: ~50g (~1.76oz)

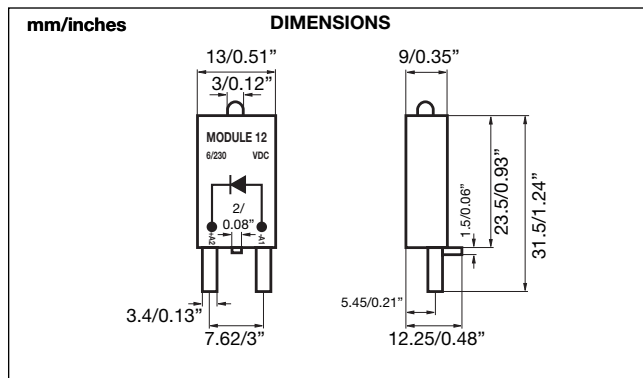


Optional Function Modules

Modules for ZMI and ZD sockets



MODULE 42



Approvals



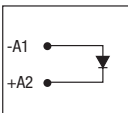
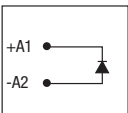
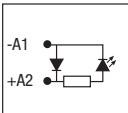
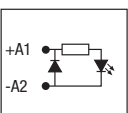
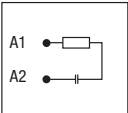
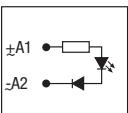
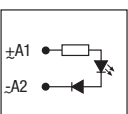
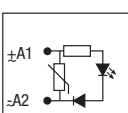
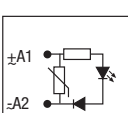
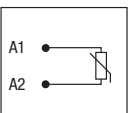
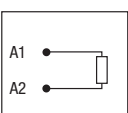
General data

Module material	PA66+GF (V0)
Module colour	RAL 7035 / Pantone 1C

Packaging

Box content: 1 bag, 100pcs.
Box size: W 160 x D 70 x H 80 mm Weight: ~350g
(W 6.30 x D 2.75 x H 3.15) inches Weight: ~12.3oz

Types and electrical configurations

Diagram	Type	Description	Operating voltage	LED Colour	Ordering code		Notes
					ZMI, ZD, ZDM Sockets	ZPD9, ZPD11	
	12	Free wheeling diode A2 +	6 / 230VDC	n.a.	MODULE12	MODULE11	Only for DC relays
	22	Free wheeling diode A1 +	6 / 230VDC	n.a.	MODULE22	MODULE21	
	32	Free wheeling diode A2 +, with LED	6 / 24VDC	Red	MODULE32	n.a.	
			24 / 60VDC		MODULE32B		
			110 / 230VDC		MODULE32C		
			6 / 24VDC	Green**	MODULE32/G		
			24 / 60VDC		MODULE32B/G		
			110 / 230VDC		MODULE32C/G		
	42	Free wheeling diode A1 +, with LED	6 / 24VDC	Red	MODULE42		
			24 / 60VDC		MODULE42B		
			110 / 230VDC		MODULE42C		
			6 / 24VDC	Green**	MODULE42/G		
			24 / 60VDC		MODULE42B/G		
			110 / 230VDC		MODULE42C/G		
	52	RC Filter	110/240VAC	n.a.	MODULE52	MODULE51	Only for AC relays
		RC Filter	6 / 24VAC		MODULE52B	MODULE51B	
		RC Filter	24 / 60VAC		MODULE52D	MODULE51D	
	62	Signalling LED	6 / 24V	Red	MODULE62	n.a.	Can work with AC and DC Relays
	92		24 / 60V		MODULE62E		
			110 / 230V		MODULE92		
	62	Signalling LED	6 / 24V	Green**	MODULE62/G		
	92		24 / 60V		MODULE62E/G		
			110 / 230V		MODULE92/G		
	62	Signalling LED, with Varistor	6 / 24V	Red	MODULE62C		
	92		24 / 60V		MODULE62D		
			110 / 230V		MODULE92C		
	62	Signalling LED, with Varistor	6 / 24V	Green**	MODULE62C/G		
	92		24 / 60V		MODULE62D/G		
			110 / 230V		MODULE92C/G		
	72	Varistor	6 / 24VAC	n.a.	MODULE72	MODULE71	
	82		115VAC		MODULE72A	MODULE71A	
			230VAC		MODULE82	MODULE81	
	102	Resistor	110 / 230VAC	n.a.	MODULE102	n.a.	

** Non standard devices normally not in stock and production upon request