



Areta suite cabinet



Areta is not just a Modular cabinet but a complete system, which allows several solutions for the distribution and automation business.

Thanks to the well-designed orthogonal joint, the cabinet can be mounted in only a few minutes.

The mounting operation is restricted only to 8 screws and all the other accessories (hinges, fixing elements, etc.) all manufactured in alloy are already mounted, ready to be used.

The cabinet profile has been well engineered and the result provides all the safety, strength and modularity standards. Profile and orthogonal joint are welded together using the very latest in laser welding technology.

The vast range of dimensions (over 90 frame sizes) satisfies any demand.

The mounting plates, available in two versions: frontal or side entry, are adjustable in depth and easy mounted thanks to two sliding guides mounted on the bottom.

The Areta Cabinet offers the very best in style and protection with stylised handles and two colour finishing to enhance your standard product.

The Areta range has been tested according to the EN50298 standard.

Protection degree: IP 55 (NEMA 12) according to EN60529; IK 10 according to EN50102.

Paint finish: ETA standard epoxy-polyester powder coating, RAL 7032 textured finish.

features at a glance

- 90 frame sizes available
- IP 55 (NEMA 12) protection
- available fully assembled or in flat-pack
- robust frame profile
- special colours available on short lead times.



more strength



wider range with fewer pieces



orthogonal joint



lower cost



higher IP rating



new unique design



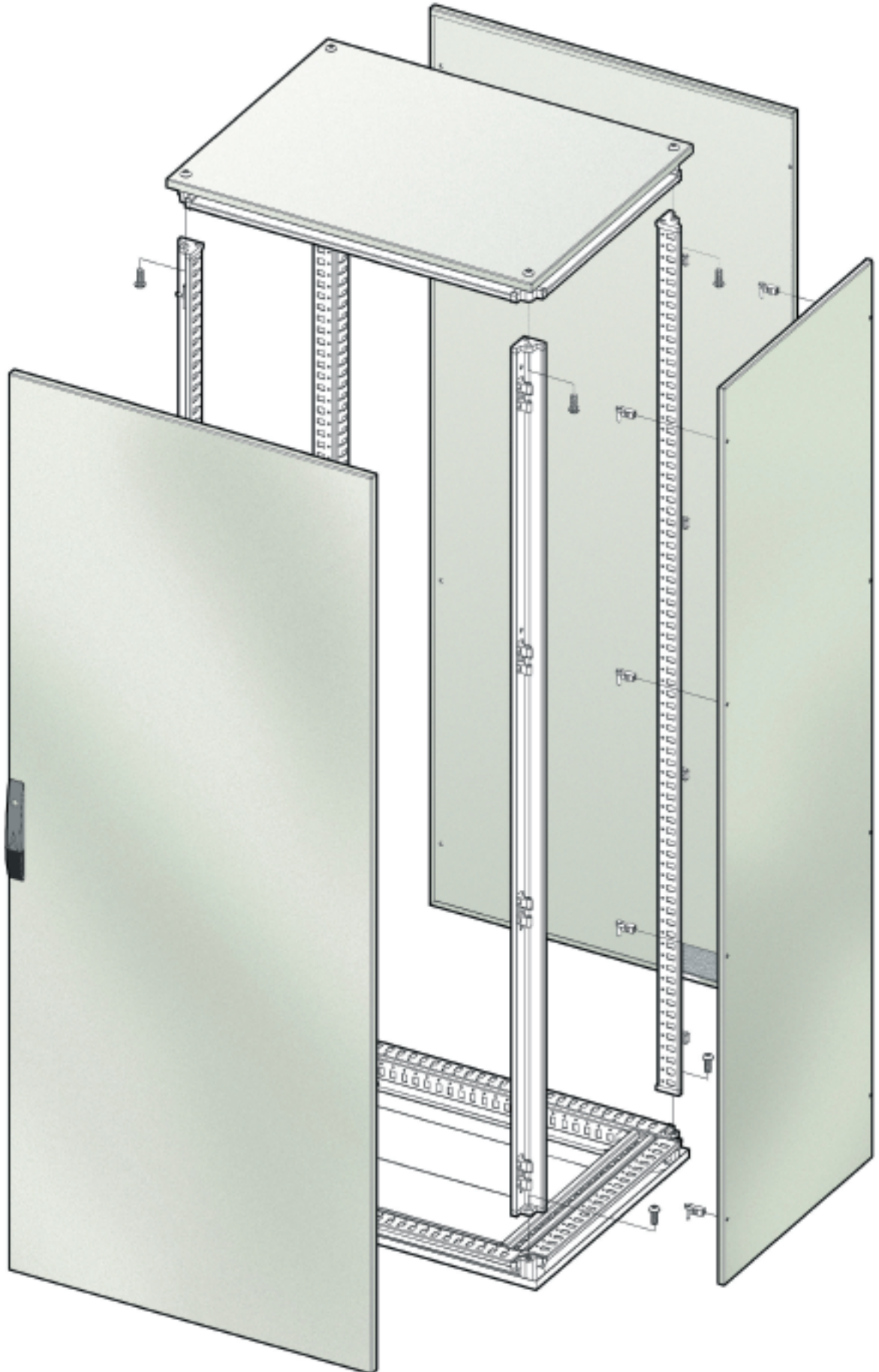
lower transport costs



excellent painting

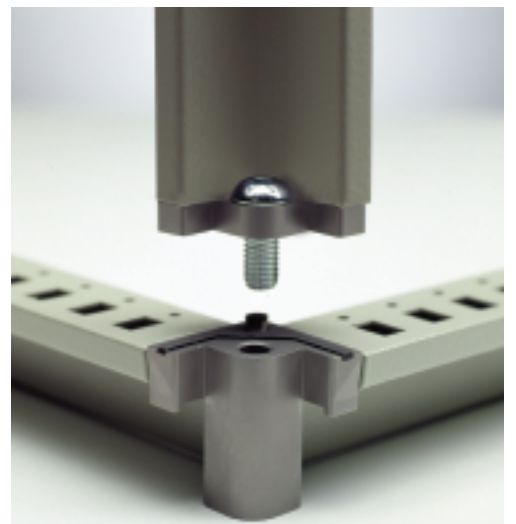
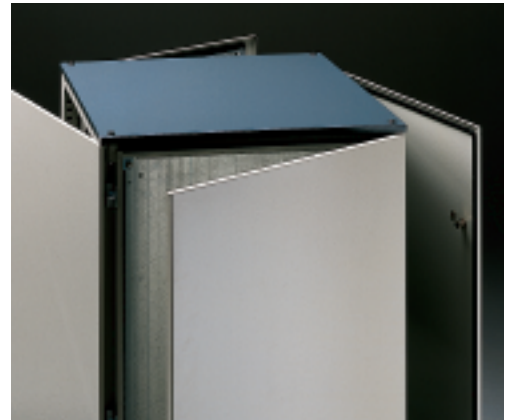


lower stock volume

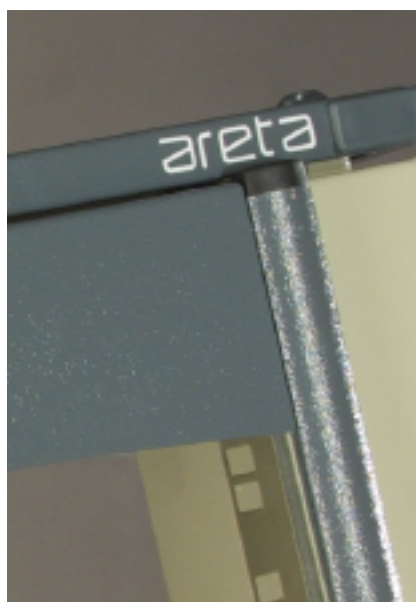




technology
and innovation






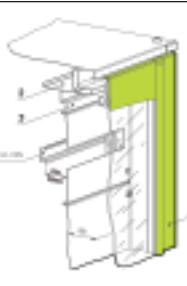


modularity
and
versatile
solutions



a trend
design

ASSEMBLED CABINET

						
dimensions W x H x D	cabinet with front blank door and rear panel (1)	cabinet with front glazed door and rear panel (2)	cabinet with front and rear blank door (3)	cabinet frame for modular systems	modular structure	glazed door
200x1800x500						
200x2000x600						
300x1600x400						
300x1600x500						
300x1600x600						
300x1800x400						
300x1800x500						
300x1800x600						
300x1800x800						
300x2000x400						
300x2000x500						
300x2000x600						
300x2000x800						
300x2200x500						
300x2200x600						
300x2200x800						
400x1600x400	ARETA-041604PR		ARETA-041604DP			
400x1600x500	ARETA-041605PR		ARETA-041605DP			
400x1600x600	ARETA-041606PR		ARETA-041606DP			
400x1800x400	ARETA-041804PR		ARETA-041804DP			
400x1800x500	ARETA-041805PR		ARETA-041805DP			
400x1800x600	ARETA-041806PR		ARETA-041806DP			
400x1800x800	ARETA-041808PR		ARETA-041808DP			
400x2000x400	ARETA-042004PR		ARETA-042004DP			
400x2000x500	ARETA-042005PR		ARETA-042005DP			
400x2000x600	ARETA-042006PR		ARETA-042006DP			
400x2000x800	ARETA-042008PR		ARETA-042008DP			
400x2200x500	ARETA-042205PR		ARETA-042205DP			
400x2200x600	ARETA-042206PR		ARETA-042206DP			
400x2200x800	ARETA-042208PR		ARETA-042208DP			
600x1400x400	ARETA-061404PR	ARETA-061404PX	ARETA-061404DP			
600x1400x500	ARETA-061405PR	ARETA-061405PX	ARETA-061405DP			
600x1600x400	ARETA-061604PR	ARETA-061604PX	ARETA-061604DP			
600x1600x500	ARETA-061605PR	ARETA-061605PX	ARETA-061605DP			
600x1600x600	ARETA-061606PR	ARETA-061606PX	ARETA-061606DP			
600x1800x400	ARETA-061804PR	ARETA-061804PX	ARETA-061804DP	ARETA-061804ST	ATSM-060180	ATPX-060180S
600x1800x500	ARETA-061805PR	ARETA-061805PX	ARETA-061805DP	ARETA-061805ST	ATSM-060180	ATPX-060180S
600x1800x600	ARETA-061806PR	ARETA-061806PX	ARETA-061806DP	ARETA-061806ST	ATSM-060180	ATPX-060180S





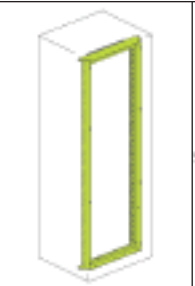
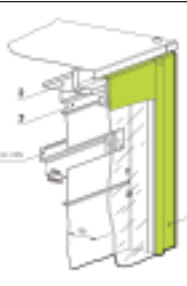
(1) supply includes the cabinet frame, blank door and rear panel. To be ordered separately mounting plate, side panels, plinth and eyebolts WTGS-001 (page 44-45)
 (2) supply includes the cabinet frame, glazed door and rear panel. To be ordered separately mounting plate, side panels, plinth and eyebolts WTGS-001 (page 44-45)
 (3) supply includes the cabinet frame, front door and rear door. To be ordered separately mounting plate, side panels, plinth and eyebolts WTGS-001 (page 44-45)

ASSEMBLED CABINET

dimensions W x H x D	cabinet with front blank door and rear panel (1)	cabinet with front glazed door and rear panel (2)	cabinet with front and rear blank door (3)	cabinet frame for modular systems	modular structure	glazed door
600x1800x800	ARETA-061808PR	ARETA-061808PX	ARETA-061808DP	ARETA-061808ST	ATSM-060180	ATPX-060180S
600x2000x400	ARETA-062004PR	ARETA-062004PX	ARETA-062004DP	ARETA-062004ST	ATSM-060200	ATPX-060200S
600x2000x500	ARETA-062005PR	ARETA-062005PX	ARETA-062005DP	ARETA-062005ST	ATSM-060200	ATPX-060200S
600x2000x600	ARETA-062006PR	ARETA-062006PX	ARETA-062006DP	ARETA-062006ST	ATSM-060200	ATPX-060200S
600x2000x800	ARETA-062008PR	ARETA-062008PX	ARETA-062008DP	ARETA-062008ST	ATSM-060200	ATPX-060200S
600x2000x1000	ARETA-062010PR					
600x2200x500	ARETA-062205PR	ARETA-062205PX	ARETA-062205DP			
600x2200x600	ARETA-062206PR	ARETA-062206PX	ARETA-062206DP			
600x2200x800	ARETA-062208PR	ARETA-062208PX	ARETA-062208DP			
800x1400x400	ARETA-081404PR	ARETA-081404PX	ARETA-081404DP			
800x1400x500	ARETA-081405PR	ARETA-081405PX	ARETA-081405DP			
800x1600x400	ARETA-081604PR	ARETA-081604PX	ARETA-081604DP			
800x1600x500	ARETA-081605PR	ARETA-081605PX	ARETA-081605DP			
800x1600x600	ARETA-081606PR	ARETA-081606PX	ARETA-081606DP			
800x1800x400	ARETA-081804PR	ARETA-081804PX	ARETA-081804DP	ARETA-081804ST	ATSM-080180	ATPX-080180S
800x1800x500	ARETA-081805PR	ARETA-081805PX	ARETA-081805DP	ARETA-081805ST	ATSM-080180	ATPX-080180S
800x1800x600	ARETA-081806PR	ARETA-081806PX	ARETA-081806DP	ARETA-081806ST	ATSM-080180	ATPX-080180S
800x1800x800	ARETA-081808PR	ARETA-081808PX	ARETA-081808DP	ARETA-081808ST	ATSM-080180	ATPX-080180S
800x2000x400	ARETA-082004PR	ARETA-082004PX	ARETA-082004DP	ARETA-082004ST	ATSM-080200	ATPX-080200S
800x2000x500	ARETA-082005PR	ARETA-082005PX	ARETA-082005DP	ARETA-082005ST	ATSM-080200	ATPX-080200S
800x2000x600	ARETA-082006PR	ARETA-082006PX	ARETA-082006DP	ARETA-082006ST	ATSM-080200	ATPX-080200S
800x2000x800	ARETA-082008PR	ARETA-082008PX	ARETA-082008DP	ARETA-082008ST	ATSM-080200	ATPX-080200S
800x2000x1000	ARETA-082010PR					
800x2200x500	ARETA-082205PR	ARETA-082205PX	ARETA-082205DP			
800x2200x600	ARETA-082206PR	ARETA-082206PX	ARETA-082206DP			
800x2200x800	ARETA-082208PR	ARETA-082208PX	ARETA-082208DP			
1000x1600x400	ARETA-101604PR	ARETA-101604PX	ARETA-101604DP			
1000x1600x500	ARETA-101605PR	ARETA-101605PX	ARETA-101605DP			
1000x1600x600	ARETA-101606PR	ARETA-101606PX	ARETA-101606DP			
1000x1800x400	ARETA-101804PR	ARETA-101804PX	ARETA-101804DP			
1000x1800x500	ARETA-101805PR	ARETA-101805PX	ARETA-101805DP			
1000x1800x600	ARETA-101806PR	ARETA-101806PX	ARETA-101806DP			
1000x1800x800	ARETA-101808PR	ARETA-101808PX	ARETA-101808DP			
1000x2000x400	ARETA-102004PR	ARETA-102004PX	ARETA-102004DP			
1000x2000x500	ARETA-102005PR	ARETA-102005PX	ARETA-102005DP			
1000x2000x600	ARETA-102006PR	ARETA-102006PX	ARETA-102006DP			
1000x2000x800	ARETA-102008PR	ARETA-102008PX	ARETA-102008DP			
1000x2200x500	ARETA-102205PR	ARETA-102205PX	ARETA-102205DP			





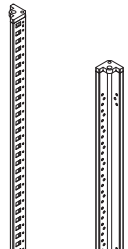
(1) supply includes the cabinet frame, blank door and rear panel. To be ordered separately mounting plate, side panels, plinth and eyebolts WTGS-001 (page 46-47)
 (2) supply includes the cabinet frame, glazed door and rear panel. To be ordered separately mounting plate, side panels, plinth and eyebolts WTGS-001 (page 46-47)
 (3) supply includes the cabinet frame, front door and rear door. To be ordered separately mounting plate, side panels, plinth and eyebolts WTGS-001 (page 46-47)

ASSEMBLED CABINET





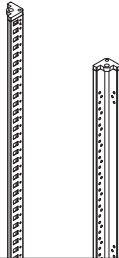
						
dimensions W x H x D	cabinet with front blank door and rear panel (1)	cabinet with front glazed door and rear panel (2)	cabinet with front and rear blank door (3)	cabinet frame for modular systems	modular structure	glazed door
1000x2200x600	ARETA-102206PR	ARETA-102206PX	ARETA-102206DP			
1000x2200x800	ARETA-102208PR	ARETA-102208PX	ARETA-102208DP			
1200x1400x400	ARETA-121404PR		ARETA-121404DP			
1200x1400x500	ARETA-121405PR		ARETA-121405DP			
1200x1600x400	ARETA-121604PR		ARETA-121604DP			
1200x1600x500	ARETA-121605PR		ARETA-121605DP			
1200x1600x600	ARETA-121606PR		ARETA-121606DP			
1200x1800x400	ARETA-121804PR		ARETA-121804DP			
1200x1800x500	ARETA-121805PR		ARETA-121805DP			
1200x1800x600	ARETA-121806PR		ARETA-121806DP			
1200x1800x800	ARETA-121808PR		ARETA-121808DP			
1200x2000x400	ARETA-122004PR		ARETA-122004DP			
1200x2000x500	ARETA-122005PR		ARETA-122005DP			
1200x2000x600	ARETA-122006PR		ARETA-122006DP			
1200x2000x800	ARETA-122008PR		ARETA-122008DP			
1200x2000x1000	ARETA-122010PR					
1200x2200x500	ARETA-122205PR		ARETA-122205DP			
1200x2200x600	ARETA-122206PR		ARETA-122206DP			
1200x2200x800	ARETA-122208PR		ARETA-122208DP			
1400x2000x400	ARETA-142004PR		ARETA-142004DP			
1400x2000x500	ARETA-142005PR		ARETA-142005DP			
1400x2000x600	ARETA-142006PR		ARETA-142006DP			
1400x2000x800	ARETA-142008PR		ARETA-142008DP			
1600x1400x400	ARETA-161404PR		ARETA-161404DP			
1600x1400x500	ARETA-161405PR		ARETA-161405DP			
1600x2000x400	ARETA-162004PR		ARETA-162004DP			
1600x2000x500	ARETA-162005PR		ARETA-162005DP			
1600x2000x600	ARETA-162006PR		ARETA-162006DP			
1600x2000x800	ARETA-162008PR		ARETA-162008DP			

(1) supply includes the cabinet frame, blank door and rear panel. To be ordered separately mounting plate, side panels, plinth and eyebolts WTGS-001 (page 48-49)
 (2) supply includes the cabinet frame, glazed door and rear panel. To be ordered separately mounting plate, side panels, plinth and eyebolts WTGS-001 (page 48-49)
 (3) supply includes the cabinet frame, front door and rear door. To be ordered separately mounting plate, side panels, plinth and eyebolts WTGS-001 (page 48-49)

FLAT-PACK CABINET





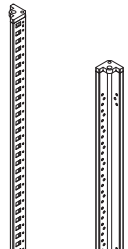
					
dimensions W x H x D	top and bottom	blank door with front uprights	rear panel with rear uprights	glazed door with front uprights	pair of front uprights for multiple doors cabinet
200x1800x500					
200x2000x600					
300x1600x400	ATTF-030040	ATPO-030160	ATRE-030160		
300x1600x500	ATTF-030050	ATPO-030160	ATRE-030160		
300x1600x600	ATTF-030060	ATPO-030160	ATRE-030160		
300x1800x400	ATTF-030040	ATPO-030180	ATRE-030180		
300x1800x500	ATTF-030050	ATPO-030180	ATRE-030180		
300x1800x600	ATTF-030060	ATPO-030180	ATRE-030180		
300x1800x800	ATTF-030080	ATPO-030180	ATRE-030180		
300x2000x400	ATTF-030040	ATPO-030200	ATRE-030200		
300x2000x500	ATTF-030050	ATPO-030200	ATRE-030200		
300x2000x600	ATTF-030060	ATPO-030200	ATRE-030200		
300x2000x800	ATTF-030080	ATPO-030200	ATRE-030200		
300x2200x500	ATTF-030050	ATPO-030220	ATRE-030220		
300x2200x600	ATTF-030060	ATPO-030220	ATRE-030220		
300x2200x800	ATTF-030080	ATPO-030220	ATRE-030220		
400x1600x400	ATTF-040040	ATPO-040160	ATRE-040160		
400x1600x500	ATTF-040050	ATPO-040160	ATRE-040160		
400x1600x600	ATTF-040060	ATPO-040160	ATRE-040160		
400x1800x400	ATTF-040040	ATPO-040180	ATRE-040180		
400x1800x500	ATTF-040050	ATPO-040180	ATRE-040180		
400x1800x600	ATTF-040060	ATPO-040180	ATRE-040180		
400x1800x800	ATTF-040080	ATPO-040180	ATRE-040180		
400x2000x400	ATTF-040040	ATPO-040200	ATRE-040200		
400x2000x500	ATTF-040050	ATPO-040200	ATRE-040200		
400x2000x600	ATTF-040060	ATPO-040200	ATRE-040200		
400x2000x800	ATTF-040080	ATPO-040200	ATRE-040200		
400x2200x500	ATTF-040050	ATPO-040220	ATRE-040220		
400x2200x600	ATTF-040060	ATPO-040220	ATRE-040220		
400x2200x800	ATTF-040080	ATPO-040220	ATRE-040220		
600x1400x400	ATTF-060040	ATPO-060140	ATRE-060140	ATPX-060140	
600x1400x500	ATTF-060050	ATPO-060140	ATRE-060140	ATPX-060140	
600x1600x400	ATTF-060040	ATPO-060160	ATRE-060160	ATPX-060160	
600x1600x500	ATTF-060050	ATPO-060160	ATRE-060160	ATPX-060160	
600x1600x600	ATTF-060060	ATPO-060160	ATRE-060160	ATPX-060160	
600x1800x400	ATTF-060040	ATPO-060180	ATRE-060180	ATPX-060180	ATMF-001800
600x1800x500	ATTF-060050	ATPO-060180	ATRE-060180	ATPX-060180	ATMF-001800
600x1800x600	ATTF-060060	ATPO-060180	ATRE-060180	ATPX-060180	ATMF-001800

FLAT-PACK CABINET

					
dimensions W x H x D	top and bottom	blank door with front uprights	rear panel with rear uprights	glazed door with front uprights	pair of front uprights for multiple doors cabinet
600x1800x800	ATTF-060080	ATPO-060180	ATRE-060180	ATPX-060180	ATMF-001800
600x2000x400	ATTF-060040	ATPO-060200	ATRE-060200	ATPX-060200	ATMF-002000
600x2000x500	ATTF-060050	ATPO-060200	ATRE-060200	ATPX-060200	ATMF-002000
600x2000x600	ATTF-060060	ATPO-060200	ATRE-060200	ATPX-060200	ATMF-002000
600x2000x800	ATTF-060080	ATPO-060200	ATRE-060200	ATPX-060200	ATMF-002000
600x2000x1000					
600x2200x500	ATTF-060050	ATPO-060220	ATRE-060220	ATPX-060220	
600x2200x600	ATTF-060060	ATPO-060220	ATRE-060220	ATPX-060220	
600x2200x800	ATTF-060080	ATPO-060220	ATRE-060220	ATPX-060220	
800x1400x400	ATTF-080040	ATPO-080140	ATRE-080140	ATPX-080140	
800x1400x500	ATTF-080050	ATPO-080140	ATRE-080140	ATPX-080140	
800x1600x400	ATTF-080040	ATPO-080160	ATRE-080160	ATPX-080160	
800x1600x500	ATTF-080050	ATPO-080160	ATRE-080160	ATPX-080160	
800x1600x600	ATTF-080060	ATPO-080160	ATRE-080160	ATPX-080160	
800x1800x400	ATTF-080040	ATPO-080180	ATRE-080180	ATPX-080180	ATMF-001800
800x1800x500	ATTF-080050	ATPO-080180	ATRE-080180	ATPX-080180	ATMF-001800
800x1800x600	ATTF-080060	ATPO-080180	ATRE-080180	ATPX-080180	ATMF-001800
800x1800x800	ATTF-080080	ATPO-080180	ATRE-080180	ATPX-080180	ATMF-001800
800x2000x400	ATTF-080040	ATPO-080200	ATRE-080200	ATPX-080200	ATMF-002000
800x2000x500	ATTF-080050	ATPO-080200	ATRE-080200	ATPX-080200	ATMF-002000
800x2000x600	ATTF-080060	ATPO-080200	ATRE-080200	ATPX-080200	ATMF-002000
800x2000x800	ATTF-080080	ATPO-080200	ATRE-080200	ATPX-080200	ATMF-002000
800x2000x1000					
800x2200x500	ATTF-080050	ATPO-080220	ATRE-080220	ATPX-080220	
800x2200x600	ATTF-080060	ATPO-080220	ATRE-080220	ATPX-080220	
800x2200x800	ATTF-080080	ATPO-080220	ATRE-080220	ATPX-080220	
1000x1600x400	ATTF-100040	ATPO-100160 *	ATRE-100160	ATPX-100160	
1000x1600x500	ATTF-100050	ATPO-100160 *	ATRE-100160	ATPX-100160	
1000x1600x600	ATTF-100060	ATPO-100160 *	ATRE-100160	ATPX-100160	
1000x1800x400	ATTF-100040	ATPO-100180 *	ATRE-100180	ATPX-100180	
1000x1800x500	ATTF-100050	ATPO-100180 *	ATRE-100180	ATPX-100180	
1000x1800x600	ATTF-100060	ATPO-100180 *	ATRE-100180	ATPX-100180	
1000x1800x800	ATTF-100080	ATPO-100180 *	ATRE-100180	ATPX-100180	
1000x2000x400	ATTF-100040	ATPO-100200 *	ATRE-100200	ATPX-100200	
1000x2000x500	ATTF-100050	ATPO-100200 *	ATRE-100200	ATPX-100200	
1000x2000x600	ATTF-100060	ATPO-100200 *	ATRE-100200	ATPX-100200	
1000x2000x800	ATTF-100080	ATPO-100200 *	ATRE-100200	ATPX-100200	
1000x2200x500	ATTF-100050	ATPO-100220 *	ATRE-100220	ATPX-100220	

* Single door; to order double door 500+500, please add the suffix DP (i.e. ATPO-100160DP).

FLAT-PACK CABINET

					
dimensions W x H x D	top and bottom	blank door with front uprights	rear panel with rear uprights	glazed door with front uprights	pair of front uprights for multiple doors cabinet
1000x2200x600	ATTF-100060	ATPO-100220 *	ATRE-100220	ATPX-100220	
1000x2200x800	ATTF-100080	ATPO-100220 *	ATRE-100220	ATPX-100220	
1200x1400x400	ATTF-120040	ATPO-120140	ATRE-120140		
1200x1400x500	ATTF-120050	ATPO-120140	ATRE-120140		
1200x1600x400	ATTF-120040	ATPO-120160	ATRE-120160		
1200x1600x500	ATTF-120050	ATPO-120160	ATRE-120160		
1200x1600x600	ATTF-120060	ATPO-120160	ATRE-120160		
1200x1800x400	ATTF-120040	ATPO-120180	ATRE-120180		
1200x1800x500	ATTF-120050	ATPO-120180	ATRE-120180		
1200x1800x600	ATTF-120060	ATPO-120180	ATRE-120180		
1200x1800x800	ATTF-120080	ATPO-120180	ATRE-120180		
1200x2000x400	ATTF-120040	ATPO-120200	ATRE-120200		
1200x2000x500	ATTF-120050	ATPO-120200	ATRE-120200		
1200x2000x600	ATTF-120060	ATPO-120200	ATRE-120200		
1200x2000x800	ATTF-120080	ATPO-120200	ATRE-120200		
1200x2000x1000					
1200x2200x500	ATTF-120050	ATPO-120220	ATRE-120220		
1200x2200x600	ATTF-120060	ATPO-120220	ATRE-120220		
1200x2200x800	ATTF-120080	ATPO-120220	ATRE-120220		
1400x2000x400	ATTF-140040	ATPO-140200	ATRE-140200		
1400x2000x500	ATTF-140050	ATPO-140200	ATRE-140200		
1400x2000x600	ATTF-140060	ATPO-140200	ATRE-140200		
1400x2000x800	ATTF-140080	ATPO-140200	ATRE-140200		
1600x1400x400	ATTF-160040	ATPO-160140	ATRE-160140		
1600x1400x500	ATTF-160050	ATPO-160140	ATRE-160140		
1600x2000x400	ATTF-160040	ATPO-160200	ATRE-160200		
1600x2000x500	ATTF-160050	ATPO-160200	ATRE-160200		
1600x2000x600	ATTF-160060	ATPO-160200	ATRE-160200		
1600x2000x800	ATTF-160080	ATPO-160200	ATRE-160200		

* Single door; to order double door 500+500, please add the suffix DP (i.e. ATPO-100160DP).

COMPLEMENTARY ACCESSORIES



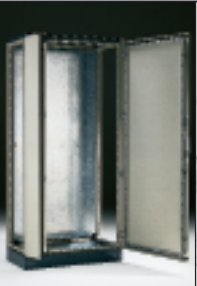

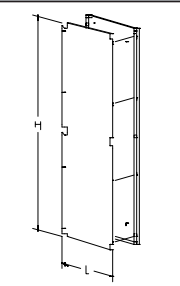
dimensions W x H x D	cable entry module front opening (4)	cable entry module side opening W=200mm	cable entry module side opening W=300mm	front inserted mounting plate (5)	infill plate	supplementary mounting plate
200x1800x500		ATRP-021805				
200x2000x600		ATRP-022006				
300x1600x400	ARETA-031604					
300x1600x500	ARETA-031605					
300x1600x600	ARETA-031606					
300x1800x400	ARETA-031804					
300x1800x500	ARETA-031805		ATRP-031805			
300x1800x600	ARETA-031806		ATRP-031806			
300x1800x800	ARETA-031808		ATRP-031808			
300x2000x400	ARETA-032004					
300x2000x500	ARETA-032005		ATRP-032005			
300x2000x600	ARETA-032006		ATRP-032006			
300x2000x800	ARETA-032008		ATRP-032008			
300x2200x500	ARETA-032205					
300x2200x600	ARETA-032206					
300x2200x800	ARETA-032208					
400x1600x400				ATPA-040160	ATPN-001600	ATPS-040160
400x1600x500				ATPA-040160	ATPN-001600	ATPS-040160
400x1600x600				ATPA-040160	ATPN-001600	ATPS-040160
400x1800x400				ATPA-040180	ATPN-001800	ATPS-040180
400x1800x500				ATPA-040180	ATPN-001800	ATPS-040180
400x1800x600				ATPA-040180	ATPN-001800	ATPS-040180
400x1800x800				ATPA-040180	ATPN-001800	ATPS-040180
400x2000x400				ATPA-040200	ATPN-002000	ATPS-040200
400x2000x500				ATPA-040200	ATPN-002000	ATPS-040200
400x2000x600				ATPA-040200	ATPN-002000	ATPS-040200
400x2000x800				ATPA-040200	ATPN-002000	ATPS-040200
400x2200x500				ATPA-040220	ATPN-002200	ATPS-040220
400x2200x600				ATPA-040220	ATPN-002200	ATPS-040220
400x2200x800				ATPA-040220	ATPN-002200	ATPS-040220
600x1400x400				ATPA-060140	ATPN-001400	ATPS-060140
600x1400x500				ATPA-060140	ATPN-001400	ATPS-060140
600x1600x400				ATPA-060160	ATPN-001600	ATPS-060160
600x1600x500				ATPA-060160	ATPN-001600	ATPS-060160
600x1600x600				ATPA-060160	ATPN-001600	ATPS-060160
600x1800x400				ATPA-060180	ATPN-001800	ATPS-060180
600x1800x500				ATPA-060180	ATPN-001800	ATPS-060180
600x1800x600				ATPA-060180	ATPN-001800	ATPS-060180

(4) supply includes the cabinet frame, front door and rear panel. To be ordered separately plinth, side panels and eyebolts WTGS-001 (page 45)
 (5) to be ordered separately mounting accessories WTKB-002

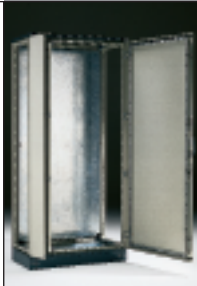


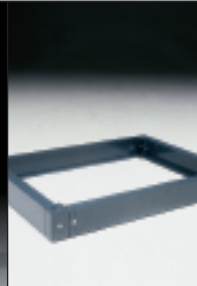


COMPLEMENTARY ACCESSORIES						
dimensions W x H x D	side inserted mounting plate	inner door	side panels (6)	plinth H=100mm	fast fixing brackets H=25mm (7)	rails H=50mm (8)
200x1800x500						
200x2000x600						
300x1600x400			ATFI-040160	ATZ1-030040		
300x1600x500			ATFI-050160	ATZ1-030050		
300x1600x600			ATFI-060160	ATZ1-030060		
300x1800x400			ATFI-040180	ATZ1-030040		
300x1800x500			ATFI-050180	ATZ1-030050		
300x1800x600			ATFI-060180	ATZ1-030060		
300x1800x800			ATFI-080180	ATZ1-030080		
300x2000x400			ATFI-040200	ATZ1-030040		
300x2000x500			ATFI-050200	ATZ1-030050		
300x2000x600			ATFI-060200	ATZ1-030060		
300x2000x800			ATFI-080200	ATZ1-030080		
300x2200x500			ATFI-050220	ATZ1-030050		
300x2200x600			ATFI-060220	ATZ1-030060		
300x2200x800			ATFI-080220	ATZ1-030080		
400x1600x400	ATPL-040160		ATFI-040160	ATZ1-040040	WTPR-025040R	WTPR-050040
400x1600x500	ATPL-040160		ATFI-050160	ATZ1-040050	WTPR-025050R	WTPR-050050
400x1600x600	ATPL-040160		ATFI-060160	ATZ1-040060	WTPR-025060R	WTPR-050060
400x1800x400	ATPL-040180		ATFI-040180	ATZ1-040040	WTPR-025040R	WTPR-050040
400x1800x500	ATPL-040180		ATFI-050180	ATZ1-040050	WTPR-025050R	WTPR-050050
400x1800x600	ATPL-040180		ATFI-060180	ATZ1-040060	WTPR-025060R	WTPR-050060
400x1800x800	ATPL-040180		ATFI-080180	ATZ1-040080	WTPR-025080R	WTPR-050080
400x2000x400	ATPL-040200		ATFI-040200	ATZ1-040040	WTPR-025040R	WTPR-050040
400x2000x500	ATPL-040200		ATFI-050200	ATZ1-040050	WTPR-025050R	WTPR-050050
400x2000x600	ATPL-040200		ATFI-060200	ATZ1-040060	WTPR-025060R	WTPR-050060
400x2000x800	ATPL-040200		ATFI-080200	ATZ1-040080	WTPR-025080R	WTPR-050080
400x2200x500	ATPL-040220		ATFI-050220	ATZ1-040050	WTPR-025050R	WTPR-050050
400x2200x600	ATPL-040220		ATFI-060220	ATZ1-040060	WTPR-025060R	WTPR-050060
400x2200x800	ATPL-040220		ATFI-080220	ATZ1-040080	WTPR-025080R	WTPR-050080
600x1400x400	ATPL-060140	ATPI-060140	ATFI-040140	ATZ1-060040	WTPR-025040R	WTPR-050040
600x1400x500	ATPL-060140	ATPI-060140	ATFI-050140	ATZ1-060050	WTPR-025050R	WTPR-050050
600x1600x400	ATPL-060160	ATPI-060160	ATFI-040160	ATZ1-060040	WTPR-025040R	WTPR-050040
600x1600x500	ATPL-060160	ATPI-060160	ATFI-050160	ATZ1-060050	WTPR-025050R	WTPR-050050
600x1600x600	ATPL-060160	ATPI-060160	ATFI-060160	ATZ1-060060	WTPR-025060R	WTPR-050060
600x1800x400	ATPL-060180	ATPI-060180	ATFI-040180	ATZ1-060040	WTPR-025040R	WTPR-050040
600x1800x500	ATPL-060180	ATPI-060180	ATFI-050180	ATZ1-060050	WTPR-025050R	WTPR-050050
600x1800x600	ATPL-060180	ATPI-060180	ATFI-060180	ATZ1-060060	WTPR-025060R	WTPR-050060

(6) supply includes 2 pieces
 (7) supply includes 4 pieces
 (8) supply includes 4 pieces. To be ordered separately fixing brackets WTSF-001 (page 111)

COMPLEMENTARY ACCESSORIES




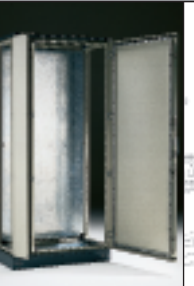
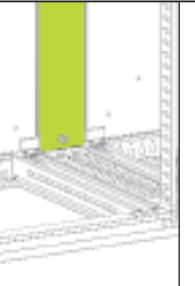
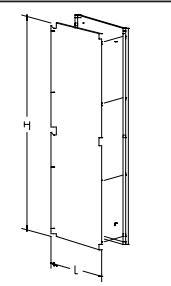
						
dimensions W x H x D	cable entry module front opening	cable entry module side opening W=200mm	cable entry module side opening W=300mm	front inserted mounting plate (5)	infill plate	supplementary mounting plate
600x1800x800				ATPA-060180	ATPN-001800	ATPS-060180
600x2000x400				ATPA-060200	ATPN-002000	ATPS-060200
600x2000x500				ATPA-060200	ATPN-002000	ATPS-060200
600x2000x600				ATPA-060200	ATPN-002000	ATPS-060200
600x2000x800				ATPA-060200	ATPN-002000	ATPS-060200
600x2000x1000				ATPA-060200	ATPN-002000	ATPS-060200
600x2200x500				ATPA-060220	ATPN-002200	ATPS-060220
600x2200x600				ATPA-060220	ATPN-002200	ATPS-060220
600x2200x800				ATPA-060220	ATPN-002200	ATPS-060220
800x1400x400				ATPA-080140	ATPN-001400	ATPS-080140
800x1400x500				ATPA-080140	ATPN-001400	ATPS-080140
800x1600x400				ATPA-080160	ATPN-001600	ATPS-080160
800x1600x500				ATPA-080160	ATPN-001600	ATPS-080160
800x1600x600				ATPA-080160	ATPN-001600	ATPS-080160
800x1800x400				ATPA-080180	ATPN-001800	ATPS-080180
800x1800x500				ATPA-080180	ATPN-001800	ATPS-080180
800x1800x600				ATPA-080180	ATPN-001800	ATPS-080180
800x1800x800				ATPA-080180	ATPN-001800	ATPS-080180
800x2000x400				ATPA-080200	ATPN-002000	ATPS-080200
800x2000x500				ATPA-080200	ATPN-002000	ATPS-080200
800x2000x600				ATPA-080200	ATPN-002000	ATPS-080200
800x2000x800				ATPA-080200	ATPN-002000	ATPS-080200
800x2000x1000				ATPA-080200	ATPN-002000	ATPS-080200
800x2200x500				ATPA-080220	ATPN-002200	ATPS-080220
800x2200x600				ATPA-080220	ATPN-002200	ATPS-080220
800x2200x800				ATPA-080220	ATPN-002200	ATPS-080220
1000x1600x400				ATPA-100160	ATPN-001600	ATPS-100160
1000x1600x500				ATPA-100160	ATPN-001600	ATPS-100160
1000x1600x600				ATPA-100160	ATPN-001600	ATPS-100160
1000x1800x400				ATPA-100180	ATPN-001800	ATPS-100180
1000x1800x500				ATPA-100180	ATPN-001800	ATPS-100180
1000x1800x600				ATPA-100180	ATPN-001800	ATPS-100180
1000x1800x800				ATPA-100180	ATPN-001800	ATPS-100180
1000x2000x400				ATPA-100200	ATPN-002000	ATPS-100200
1000x2000x500				ATPA-100200	ATPN-002000	ATPS-100200
1000x2000x600				ATPA-100200	ATPN-002000	ATPS-100200
1000x2000x800				ATPA-100200	ATPN-002000	ATPS-100200
1000x2200x500				ATPA-100220	ATPN-002200	ATPS-100220

(5) to be ordered separately mounting accessories WTKB-002

COMPLEMENTARY ACCESSORIES						
						
dimensions W x H x D	side inserted mounting plate	inner door	side panels (6)	plinth H=100mm	fast fixing brackets H=25mm (7)	rails H=50mm (8)
600x1800x800	ATPL-060180	ATPI-060180	ATFI-080180	ATZ1-060080	WTPR-025080R	WTPR-050080
600x2000x400	ATPL-060200	ATPI-060200	ATFI-040200	ATZ1-060040	WTPR-025040R	WTPR-050040
600x2000x500	ATPL-060200	ATPI-060200	ATFI-050200	ATZ1-060050	WTPR-025050R	WTPR-050050
600x2000x600	ATPL-060200	ATPI-060200	ATFI-060200	ATZ1-060060	WTPR-025060R	WTPR-050060
600x2000x800	ATPL-060200	ATPI-060200	ATFI-080200	ATZ1-060080	WTPR-025080R	WTPR-050080
600x2000x1000	ATPL-060200	ATPI-060200	ATFI-100200	ATZ1-060100	WTPR-025100R	WTPR-050100
600x2200x500	ATPL-060220	ATPI-060220	ATFI-050220	ATZ1-060050	WTPR-025050R	WTPR-050050
600x2200x600	ATPL-060220	ATPI-060220	ATFI-060220	ATZ1-060060	WTPR-025060R	WTPR-050060
600x2200x800	ATPL-060220	ATPI-060220	ATFI-080220	ATZ1-060080	WTPR-025080R	WTPR-050080
800x1400x400	ATPL-080140	ATPI-080140	ATFI-040140	ATZ1-080040	WTPR-025040R	WTPR-050040
800x1400x500	ATPL-080140	ATPI-080140	ATFI-050140	ATZ1-080050	WTPR-025050R	WTPR-050050
800x1600x400	ATPL-080160	ATPI-080160	ATFI-040160	ATZ1-080040	WTPR-025040R	WTPR-050040
800x1600x500	ATPL-080160	ATPI-080160	ATFI-050160	ATZ1-080050	WTPR-025050R	WTPR-050050
800x1600x600	ATPL-080160	ATPI-080160	ATFI-060160	ATZ1-080060	WTPR-025060R	WTPR-050060
800x1800x400	ATPL-080180	ATPI-080180	ATFI-040180	ATZ1-080040	WTPR-025040R	WTPR-050040
800x1800x500	ATPL-080180	ATPI-080180	ATFI-050180	ATZ1-080050	WTPR-025050R	WTPR-050050
800x1800x600	ATPL-080180	ATPI-080180	ATFI-060180	ATZ1-080060	WTPR-025060R	WTPR-050060
800x1800x800	ATPL-080180	ATPI-080180	ATFI-080180	ATZ1-080080	WTPR-025080R	WTPR-050080
800x2000x400	ATPL-080200	ATPI-080200	ATFI-040200	ATZ1-080040	WTPR-025040R	WTPR-050040
800x2000x500	ATPL-080200	ATPI-080200	ATFI-050200	ATZ1-080050	WTPR-025050R	WTPR-050050
800x2000x600	ATPL-080200	ATPI-080200	ATFI-060200	ATZ1-080060	WTPR-025060R	WTPR-050060
800x2000x800	ATPL-080200	ATPI-080200	ATFI-080200	ATZ1-080080	WTPR-025080R	WTPR-050080
800x2000x1000	ATPL-080200	ATPI-080200	ATFI-100200	ATZ1-080100	WTPR-025100R	WTPR-050100
800x2200x500	ATPL-080220	ATPI-080220	ATFI-050220	ATZ1-080050	WTPR-025050R	WTPR-050050
800x2200x600	ATPL-080220	ATPI-080220	ATFI-060220	ATZ1-080060	WTPR-025060R	WTPR-050060
800x2200x800	ATPL-080220	ATPI-080220	ATFI-080220	ATZ1-080080	WTPR-025080R	WTPR-050080
1000x1600x400	ATPL-100160	ATPI-100160	ATFI-040160	ATZ1-100040	WTPR-025040R	WTPR-050040
1000x1600x500	ATPL-100160	ATPI-100160	ATFI-050160	ATZ1-100050	WTPR-025050R	WTPR-050050
1000x1600x600	ATPL-100160	ATPI-100160	ATFI-060160	ATZ1-100060	WTPR-025060R	WTPR-050060
1000x1800x400	ATPL-100180	ATPI-100180	ATFI-040180	ATZ1-100040	WTPR-025040R	WTPR-050040
1000x1800x500	ATPL-100180	ATPI-100180	ATFI-050180	ATZ1-100050	WTPR-025050R	WTPR-050050
1000x1800x600	ATPL-100180	ATPI-100180	ATFI-060180	ATZ1-100060	WTPR-025060R	WTPR-050060
1000x1800x800	ATPL-100180	ATPI-100180	ATFI-080180	ATZ1-100080	WTPR-025080R	WTPR-050080
1000x2000x400	ATPL-100200	ATPI-100200	ATFI-040200	ATZ1-100040	WTPR-025040R	WTPR-050040
1000x2000x500	ATPL-100200	ATPI-100200	ATFI-050200	ATZ1-100050	WTPR-025050R	WTPR-050050
1000x2000x600	ATPL-100200	ATPI-100200	ATFI-060200	ATZ1-100060	WTPR-025060R	WTPR-050060
1000x2000x800	ATPL-100200	ATPI-100200	ATFI-080200	ATZ1-100080	WTPR-025080R	WTPR-050080
1000x2200x500	ATPL-100220	ATPI-100220	ATFI-050220	ATZ1-100050	WTPR-025050R	WTPR-050050

(6) supply includes 2 pieces
 (7) supply includes 4 pieces
 (8) supply includes 4 pieces. To be ordered separately fixing brackets WTSF-001 (page 111)

COMPLEMENTARY ACCESSORIES

						
dimensions W x H x D	cable entry module front opening	cable entry module side opening W=200mm	cable entry module side opening W=300mm	front inserted mounting plate (5)	infill plate	supplementary mounting plate
1000x2200x600				ATPA-100220	ATPN-002200	ATPS-100220
1000x2200x800				ATPA-100220	ATPN-002200	ATPS-100220
1200x1400x400				ATPA-120140	ATPN-001400	
1200x1400x500				ATPA-120140	ATPN-001400	
1200x1600x400				ATPA-120160	ATPN-001600	
1200x1600x500				ATPA-120160	ATPN-001600	
1200x1600x600				ATPA-120160	ATPN-001600	
1200x1800x400				ATPA-120180	ATPN-001800	
1200x1800x500				ATPA-120180	ATPN-001800	
1200x1800x600				ATPA-120180	ATPN-001800	
1200x1800x800				ATPA-120180	ATPN-001800	
1200x2000x400				ATPA-120200	ATPN-002000	
1200x2000x500				ATPA-120200	ATPN-002000	
1200x2000x600				ATPA-120200	ATPN-002000	
1200x2000x800				ATPA-120200	ATPN-002000	
1200x2000x1000				ATPA-120200	ATPN-002000	
1200x2200x500				ATPA-120220	ATPN-002200	
1200x2200x600				ATPA-120220	ATPN-002200	
1200x2200x800				ATPA-120220	ATPN-002200	
1400x2000x400				ATPA-140200	ATPN-002000	
1400x2000x500				ATPA-140200	ATPN-002000	
1400x2000x600				ATPA-140200	ATPN-002000	
1400x2000x800				ATPA-140200	ATPN-002000	
1600x1400x400				ATPA-160140	ATPN-001400	
1600x1400x500				ATPA-160140	ATPN-001400	
1600x2000x400				ATPA-160200	ATPN-002000	
1600x2000x500				ATPA-160200	ATPN-002000	
1600x2000x600				ATPA-160200	ATPN-002000	
1600x2000x800				ATPA-160200	ATPN-002000	

(5) to be ordered separately mounting accessories WTKB-002

COMPLEMENTARY ACCESSORIES						
						
dimensions W x H x D	side inserted mounting plate	inner door	side panels (6)	plinth H=100mm	fast fixing brackets H=25mm (7)	rails H=50mm (8)
1000x2200x600	ATPL-100220	ATPI-100220	ATFI-060220	ATZ1-100060	WTPR-025060R	WTPR-050060
1000x2200x800	ATPL-100220	ATPI-100220	ATFI-080220	ATZ1-100080	WTPR-025080R	WTPR-050080
1200x1400x400	ATPL-120140		ATFI-040140	ATZ1-120040	WTPR-025040R	WTPR-050040
1200x1400x500	ATPL-120140		ATFI-050140	ATZ1-120050	WTPR-025050R	WTPR-050050
1200x1600x400	ATPL-120160		ATFI-040160	ATZ1-120040	WTPR-025040R	WTPR-050040
1200x1600x500	ATPL-120160		ATFI-050160	ATZ1-120050	WTPR-025050R	WTPR-050050
1200x1600x600	ATPL-120160		ATFI-060160	ATZ1-120060	WTPR-025060R	WTPR-050060
1200x1800x400	ATPL-120180		ATFI-040180	ATZ1-120040	WTPR-025040R	WTPR-050040
1200x1800x500	ATPL-120180		ATFI-050180	ATZ1-120050	WTPR-025050R	WTPR-050050
1200x1800x600	ATPL-120180		ATFI-060180	ATZ1-120060	WTPR-025060R	WTPR-050060
1200x1800x800	ATPL-120180		ATFI-080180	ATZ1-120080	WTPR-025080R	WTPR-050080
1200x2000x400	ATPL-120200		ATFI-040200	ATZ1-120040	WTPR-025040R	WTPR-050040
1200x2000x500	ATPL-120200		ATFI-050200	ATZ1-120050	WTPR-025050R	WTPR-050050
1200x2000x600	ATPL-120200		ATFI-060200	ATZ1-120060	WTPR-025060R	WTPR-050060
1200x2000x800	ATPL-120200		ATFI-080200	ATZ1-120080	WTPR-025080R	WTPR-050080
1200x2000x1000	ATPL-120200		ATFI-100200	ATZ1-120100	WTPR-025100R	WTPR-050100
1200x2200x500	ATPL-120220		ATFI-050220	ATZ1-120050	WTPR-025050R	WTPR-050050
1200x2200x600	ATPL-120220		ATFI-060220	ATZ1-120060	WTPR-025060R	WTPR-050060
1200x2200x800	ATPL-120220		ATFI-080220	ATZ1-120080	WTPR-025080R	WTPR-050080
1400x2000x400	ATPL-140200		ATFI-040200	ATZ1-140040	WTPR-025040R	WTPR-050040
1400x2000x500	ATPL-140200		ATFI-050200	ATZ1-140050	WTPR-025050R	WTPR-050050
1400x2000x600	ATPL-140200		ATFI-060200	ATZ1-140060	WTPR-025060R	WTPR-050060
1400x2000x800	ATPL-140200		ATFI-080200	ATZ1-140080	WTPR-025080R	WTPR-050080
1600x1400x400	ATPL-160140		ATFI-040140	ATZ1-160040	WTPR-025040R	WTPR-050040
1600x1400x500	ATPL-160140		ATFI-050140	ATZ1-160050	WTPR-025050R	WTPR-050050
1600x2000x400	ATPL-160200		ATFI-040200	ATZ1-160040	WTPR-025040R	WTPR-050040
1600x2000x500	ATPL-160200		ATFI-050200	ATZ1-160050	WTPR-025050R	WTPR-050050
1600x2000x600	ATPL-160200		ATFI-060200	ATZ1-160060	WTPR-025060R	WTPR-050060
1600x2000x800	ATPL-160200		ATFI-080200	ATZ1-160080	WTPR-025080R	WTPR-050080

(6) supply includes 2 pieces
 (7) supply includes 4 pieces
 (8) supply includes 4 pieces. To be ordered separately fixing brackets WTSF-001 (page 111)



Areta 400



characteristics

• STRUCTURE

Profile and rails are made up of a unique closed profile manufactured from 1.5mm sheet steel, fully welded and with rounded edges. The frame corners are manufactured with orthogonal joints laser welded to vertical upright rails and horizontal rails for the roof and bottom. Only 8 high resistance screws are necessary to mount the structure, while two position pins allow the easy mounting of the two parts of the joint.

paint finish

ETA standard epoxy polyester powder coating.

Structure, door and rear panel RAL 7032 textured finish.

Roof and bottom RAL 7025 textured finish.

assembled cabinet (PR)

Supply includes:

- structure
- door manufactured from 2mm sheet steel with stiffening frame, complete with Ø 3mm double bar locking system
- rear panel manufactured from 1.5mm sheet steel
- removable roof manufactured from 1.5mm sheet steel
- bottom with adjustable cable entry manufactured from 1.5mm sheet steel.

flat-pack cabinet

Supply includes:

- composition to be assembled complying with customers requests
- panels and doors are supplied together with two vertical uprights complete with accessories.

conformity and approval



conformity and approval assembled cabinet



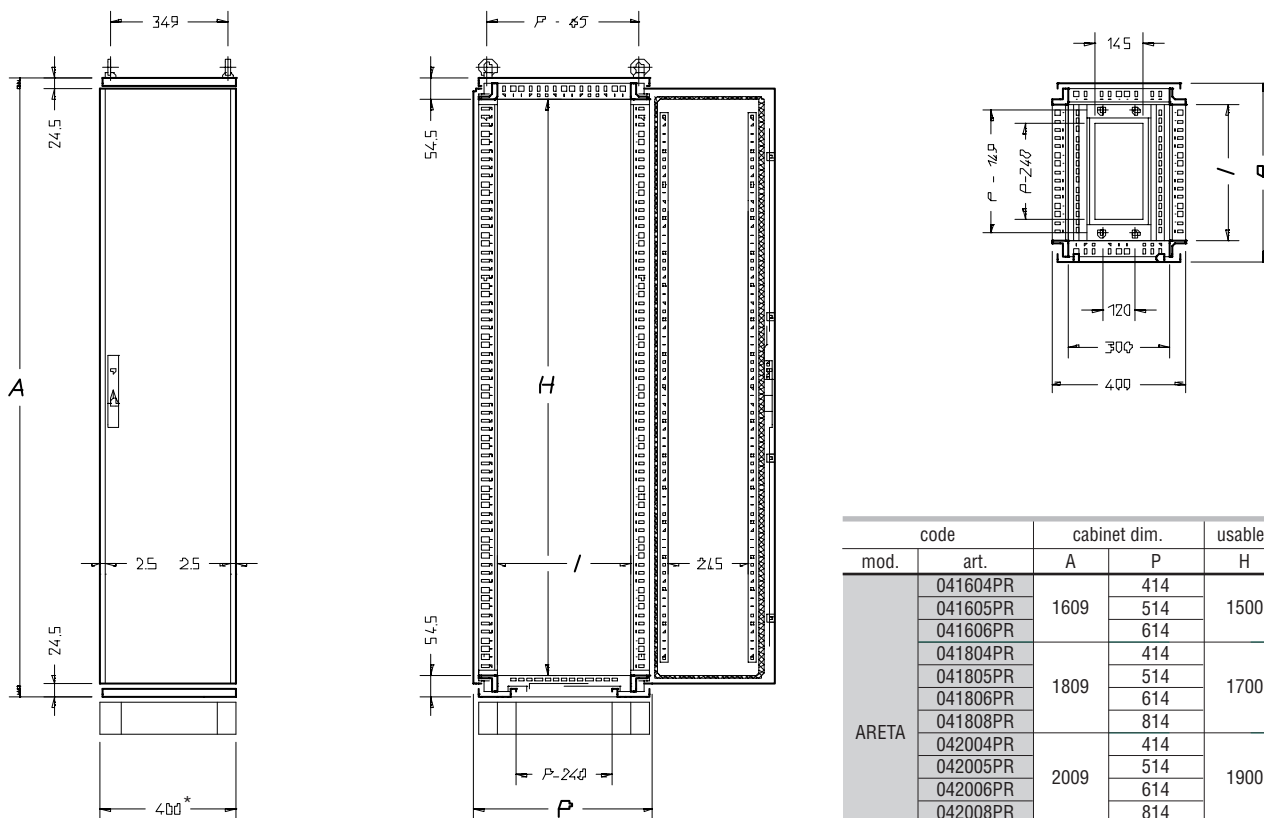
conformity and approval flat-pack cabinet



protection degree

- IP 55 complying with EN50298; EN60529
- type 12 complying with UL508A; UL50
- impact resistance IK10 complying with EN500298; EN50102.

To be ordered separately eyebolts and/or lifting brackets: see page 76.



* With side panels mounted L = 416mm

code		cabinet dim.		usable internal area	
mod.	art.	A	P	H	I
ARETA	041604PR	1609	414	1500	300
	041605PR		514		400
	041606PR		614		500
	041804PR	1809	414	1700	300
	041805PR		514		400
	041806PR		614		500
	041808PR	2009	814	1900	700
	042004PR		414		300
	042005PR		514		400
	042006PR	2209	614	2100	500
	042008PR		814		700
	042205PR		514		400
	042206PR	2209	614	2100	500
	042208PR		814		700

assembled cabinet

cabinet dimensions			blank door + rear panel	front + rear blank doors
width	height	depth		
400	1600	400	ARETA-041604PR	ARETA-041604DP
400	1600	500	ARETA-041605PR	ARETA-041605DP
400	1600	600	ARETA-041606PR	ARETA-041606DP
400	1800	400	ARETA-041804PR	ARETA-041804DP
400	1800	500	ARETA-041805PR	ARETA-041805DP
400	1800	600	ARETA-041806PR	ARETA-041806DP
400	1800	800	ARETA-041808PR	ARETA-041808DP
400	2000	400	ARETA-042004PR	ARETA-042004DP
400	2000	500	ARETA-042005PR	ARETA-042005DP
400	2000	600	ARETA-042006PR	ARETA-042006DP
400	2000	800	ARETA-042008PR	ARETA-042008DP
400	2200	500	ARETA-042205PR	ARETA-042205DP
400	2200	600	ARETA-042206PR	ARETA-042206DP
400	2200	800	ARETA-042208PR	ARETA-042208DP

flat-pack cabinet

cabinet dimensions			roof + bottom	blank door	rear panel
width	height	depth			
400	1600	400	ATTF-040040	ATPO-040160	ATRE-040160
400	1600	500	ATTF-040050	ATPO-040160	ATRE-040160
400	1600	600	ATTF-040060	ATPO-040160	ATRE-040160
400	1800	400	ATTF-040040	ATPO-040180	ATRE-040180
400	1800	500	ATTF-040050	ATPO-040180	ATRE-040180
400	1800	600	ATTF-040060	ATPO-040180	ATRE-040180
400	1800	800	ATTF-040080	ATPO-040180	ATRE-040180
400	2000	400	ATTF-040040	ATPO-040200	ATRE-040200
400	2000	500	ATTF-040050	ATPO-040200	ATRE-040200
400	2000	600	ATTF-040060	ATPO-040200	ATRE-040200
400	2000	800	ATTF-040080	ATPO-040200	ATRE-040200
400	2200	500	ATTF-040050	ATPO-040220	ATRE-040220
400	2200	600	ATTF-040060	ATPO-040220	ATRE-040220
400	2200	800	ATTF-040080	ATPO-040220	ATRE-040220

How to make an order composition: for side panels see page 71, for m. plates see page 66 or 68, for plinths H=100 - 200 see page 72.



Areta 600



characteristics

• STRUCTURE

Profile and rails are made up of a unique closed profile manufactured from 1.5mm sheet steel, fully welded and with rounded edges. The frame corners are manufactured with orthogonal joints laser welded to vertical upright rails and horizontal rails for the roof and bottom. Only 8 high resistance screws are necessary to mount the structure, while two position pins allow the easy mounting of the two parts of the joint.

paint finish

ETA standard epoxy polyester powder coating.

Structure, door and rear panel RAL 7032 textured finish.

Roof and bottom RAL 7025 textured finish.

assembled cabinet (PR)

Supply includes:

- structure
- door manufactured from 2mm sheet steel with stiffening frame, complete with Ø 3mm double bar locking system
- rear panel manufactured from 1.5mm sheet steel
- removable roof manufactured from 1.5mm sheet steel
- bottom with adjustable cable entry manufactured from 1.5mm sheet steel.

flat-pack cabinet

Supply includes:

- composition to be assembled complying with customers requests
- panels and doors are supplied together with two vertical uprights complete with accessories.

conformity and approval



conformity and approval assembled cabinet



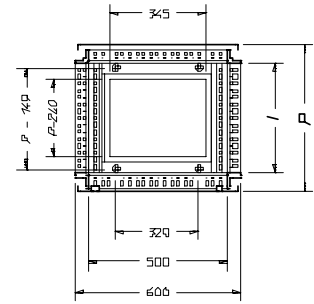
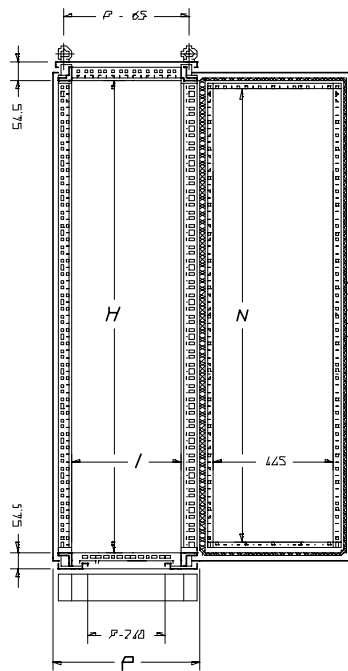
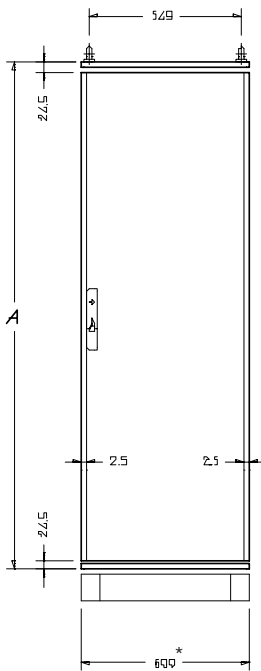
conformity and approval flat-pack cabinet



protection degree

- IP 55 complying with EN50298; EN60529
- type 12 complying with UL508A; UL50
- impact resistance IK10 complying with EN500298; EN50102.

To be ordered separately eyebolts and/or lifting brackets: see page 76.



* With side panels mounted L = 616 mm

code		cabinet dim.		usable internal area		
mod.	art.	A	P	H	I	N
ARETA	061404PR	1409	414	1300	300	1230
	061405PR		514		400	
	061604PR	1609	414	1500	300	1430
	061605PR		514		400	
	061606PR		614		500	
	061804PR	1809	414	1700	300	1630
	061805PR		514		400	
	061806PR		614		500	
	061808PR		814		700	
	062004PR	2009	414	1900	300	1830
	062005PR		514		400	
	062006PR		614		500	
	062008PR		814		700	
	062010PR	2209	1014	2100	900	2030
	062205PR		514		400	
	062206PR		614		500	
062208PR	814		700			

assembled cabinet

cabinet dimensions			blank door + rear panel	glazed door + rear panel	front + rear blank door
width	height	depth			
600	1400	400	ARETA-061404PR	ARETA-061404PX	ARETA-061404DP
600	1400	500	ARETA-061405PR	ARETA-061405PX	ARETA-061405DP
600	1600	400	ARETA-061604PR	ARETA-061604PX	ARETA-061604DP
600	1600	500	ARETA-061605PR	ARETA-061605PX	ARETA-061605DP
600	1600	600	ARETA-061606PR	ARETA-061606PX	ARETA-061606DP
600	1800	400	ARETA-061804PR	ARETA-061804PX	ARETA-061804DP
600	1800	500	ARETA-061805PR	ARETA-061805PX	ARETA-061805DP
600	1800	600	ARETA-061806PR	ARETA-061806PX	ARETA-061806DP
600	1800	800	ARETA-061808PR	ARETA-061808PX	ARETA-061808DP
600	2000	400	ARETA-062004PR	ARETA-062004PX	ARETA-062004DP
600	2000	500	ARETA-062005PR	ARETA-062005PX	ARETA-062005DP
600	2000	600	ARETA-062006PR	ARETA-062006PX	ARETA-062006DP
600	2000	800	ARETA-062008PR	ARETA-062008PX	ARETA-062008DP
600	2000	1000	ARETA-062010PR	—	—
600	2200	500	ARETA-062205PR	ARETA-062205PX	ARETA-062205DP
600	2200	600	ARETA-062206PR	ARETA-062206PX	ARETA-062206DP
600	2200	800	ARETA-062208PR	ARETA-062208PX	ARETA-062208DP

flat-pack cabinet

cabinet dimensions			roof + bottom	blank door	glazed door	rear panel
width	height	depth				
600	1400	400	ATTF-060040	ATPO-060140	ATPX-060140	ATRE-060140
600	1400	500	ATTF-060050	ATPO-060140	ATPX-060140	ATRE-060140
600	1600	400	ATTF-060040	ATPO-060160	ATPX-060160	ATRE-060160
600	1600	500	ATTF-060050	ATPO-060160	ATPX-060160	ATRE-060160
600	1600	600	ATTF-060060	ATPO-060160	ATPX-060160	ATRE-060160
600	1800	400	ATTF-060040	ATPO-060180	ATPX-060180	ATRE-060180
600	1800	500	ATTF-060050	ATPO-060180	ATPX-060180	ATRE-060180
600	1800	600	ATTF-060060	ATPO-060180	ATPX-060180	ATRE-060180
600	1800	800	ATTF-060080	ATPO-060180	ATPX-060180	ATRE-060180
600	2000	400	ATTF-060040	ATPO-060200	ATPX-060200	ATRE-060200
600	2000	500	ATTF-060050	ATPO-060200	ATPX-060200	ATRE-060200
600	2000	600	ATTF-060060	ATPO-060200	ATPX-060200	ATRE-060200
600	2000	800	ATTF-060080	ATPO-060200	ATPX-060200	ATRE-060200
600	2200	500	ATTF-060050	ATPO-060220	ATPX-060220	ATRE-060220
600	2200	600	ATTF-060060	ATPO-060220	ATPX-060220	ATRE-060220
600	2200	800	ATTF-060080	ATPO-060220	ATPX-060220	ATRE-060220

How to make an order composition: for side panels see page 71, for m. plates see page 66 or 68, for plinths H=100 - 200 see page 72.



Areta 800



characteristics

• STRUCTURE

Profile and rails are made up of a unique closed profile manufactured from 1.5mm sheet steel, fully welded and with rounded edges. The frame corners are manufactured with orthogonal joints laser welded to vertical upright rails and horizontal rails for the roof and bottom. Only 8 high resistance screws are necessary to mount the structure, while two position pins allow the easy mounting of the two parts of the joint.

paint finish

ETA standard epoxy polyester powder coating.

Structure, door and rear panel RAL 7032 textured finish.

Roof and bottom RAL 7025 textured finish.

assembled cabinet (PR)

Supply includes:

- structure
- door manufactured from 2mm sheet steel with stiffening frame, complete with Ø 3mm double bar locking system
- rear panel manufactured from 1.5mm sheet steel
- removable roof manufactured from 1.5mm sheet steel
- bottom with adjustable cable entry manufactured from 1.5mm sheet steel.

flat-pack cabinet

Supply includes:

- composition to be assembled complying with customers requests
- panels and doors are supplied together with two vertical uprights complete with accessories.

conformity and approval



conformity and approval assembled cabinet



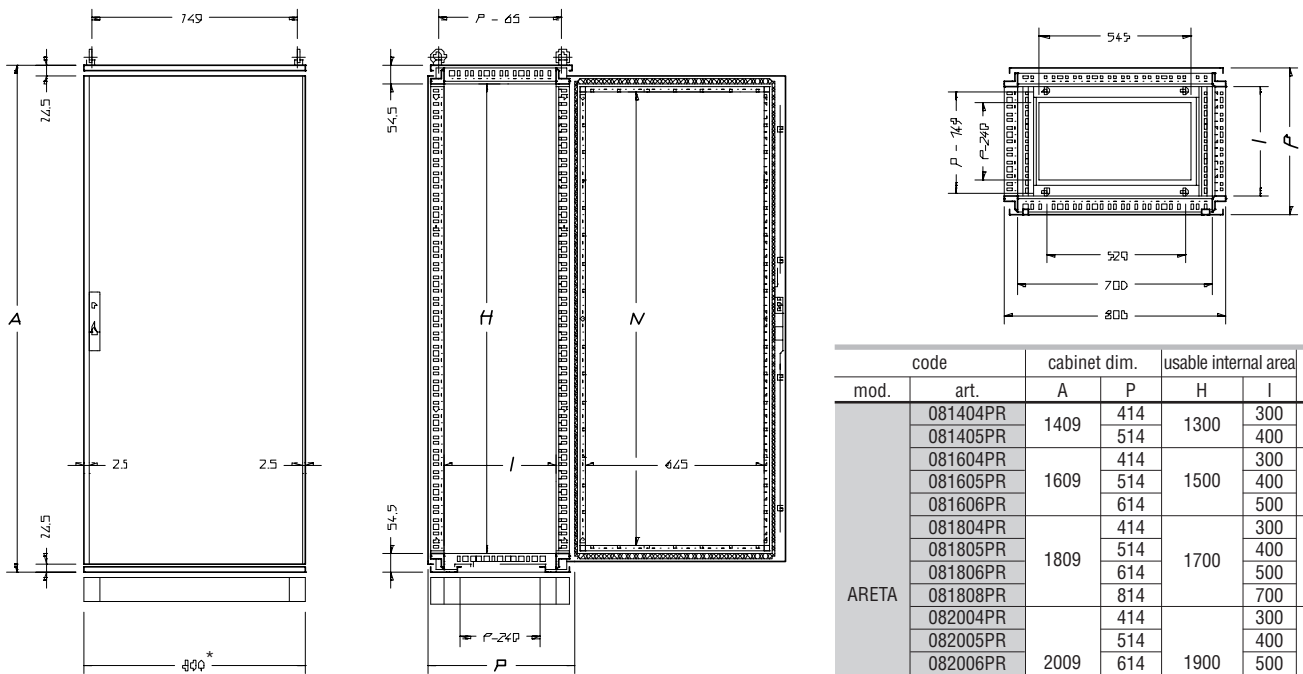
conformity and approval flat-pack cabinet



protection degree

- IP 55 complying with EN50298; EN60529
- type 12 complying with UL508A; UL50
- impact resistance IK10 complying with EN500298; EN50102.

To be ordered separately eyebolts and/or lifting brackets: see page 76.



* With side panels mounted L = 816 mm

code		cabinet dim.		usable internal area		
mod.	art.	A	P	H	I	N
ARETA	081404PR	1409	414	1300	300	1230
	081405PR		514		400	
	081604PR	1609	414	1500	300	1430
	081605PR		514		400	
	081606PR		614		500	
	081804PR	1809	414	1700	300	1630
	081805PR		514		400	
	081806PR		614		500	
	081808PR		814		700	
	082004PR	2009	414	1900	300	1830
	082005PR		514		400	
	082006PR		614		500	
	082008PR		814		700	
	082010PR	2209	1014	2100	900	2030
	082205PR		514		400	
	082206PR		614		500	
082208PR	814		700			

assembled cabinet

cabinet dimensions			blank door + rear panel	glazed door + rear panel	front + rear blank doors
width	height	depth			
800	1400	400	ARETA-081404PR	ARETA-081404PX	ARETA-081404DP
800	1400	500	ARETA-081405PR	ARETA-081405PX	ARETA-081405DP
800	1600	400	ARETA-081604PR	ARETA-081604PX	ARETA-081604DP
800	1600	500	ARETA-081605PR	ARETA-081605PX	ARETA-081605DP
800	1600	600	ARETA-081606PR	ARETA-081606PX	ARETA-081606DP
800	1800	400	ARETA-081804PR	ARETA-081804PX	ARETA-081804DP
800	1800	500	ARETA-081805PR	ARETA-081805PX	ARETA-081805DP
800	1800	600	ARETA-081806PR	ARETA-081806PX	ARETA-081806DP
800	1800	800	ARETA-081808PR	ARETA-081808PX	ARETA-081808DP
800	2000	400	ARETA-082004PR	ARETA-082004PX	ARETA-082004DP
800	2000	500	ARETA-082005PR	ARETA-082005PX	ARETA-082005DP
800	2000	600	ARETA-082006PR	ARETA-082006PX	ARETA-082006DP
800	2000	800	ARETA-082008PR	ARETA-082008PX	ARETA-082008DP
800	2000	1000	ARETA-082010PR	—	—
800	2200	500	ARETA-082205PR	ARETA-082205PX	ARETA-082205DP
800	2200	600	ARETA-082206PR	ARETA-082206PX	ARETA-082206DP
800	2200	800	ARETA-082208PR	ARETA-082208PX	ARETA-082208DP

flat-pack cabinet

cabinet dimensions			roof + bottom	blank door	glazed door	rear panel
width	height	depth				
800	1400	400	ATTF-080040	ATPO-080140	ATPX-080140	ATRE-080140
800	1400	500	ATTF-080050	ATPO-080140	ATPX-080140	ATRE-080140
800	1600	400	ATTF-080040	ATPO-080160	ATPX-080160	ATRE-080160
800	1600	500	ATTF-080050	ATPO-080160	ATPX-080160	ATRE-080160
800	1600	600	ATTF-080060	ATPO-080160	ATPX-080160	ATRE-080160
800	1800	400	ATTF-080040	ATPO-080180	ATPX-080180	ATRE-080180
800	1800	500	ATTF-080050	ATPO-080180	ATPX-080180	ATRE-080180
800	1800	600	ATTF-080060	ATPO-080180	ATPX-080180	ATRE-080180
800	1800	800	ATTF-080080	ATPO-080180	ATPX-080180	ATRE-080180
800	2000	400	ATTF-080040	ATPO-080200	ATPX-080200	ATRE-080200
800	2000	500	ATTF-080050	ATPO-080200	ATPX-080200	ATRE-080200
800	2000	600	ATTF-080060	ATPO-080200	ATPX-080200	ATRE-080200
800	2000	800	ATTF-080080	ATPO-080200	ATPX-080200	ATRE-080200
800	2200	500	ATTF-080050	ATPO-080220	ATPX-080220	ATRE-080220
800	2200	600	ATTF-080060	ATPO-080220	ATPX-080220	ATRE-080220
800	2200	800	ATTF-080080	ATPO-080220	ATPX-080220	ATRE-080220

How to make an order composition: for side panels see page 71, for m. plates see page 66 or 68, for plinths H=100 - 200 see page 72.



Areta 1000



characteristics

• STRUCTURE

Profile and rails are made up of a unique closed profile manufactured from 1.5mm sheet steel, fully welded and with rounded edges. The frame corners are manufactured with orthogonal joints laser welded to vertical upright rails and horizontal rails for the roof and bottom. Only 8 high resistance screws are necessary to mount the structure, while two position pins allow the easy mounting of the two parts of the joint.

paint finish

ETA standard epoxy polyester powder coating.

Structure, door and rear panel RAL 7032 textured finish.

Roof and bottom RAL 7025 textured finish.

assembled cabinet (PR)

Supply includes:

- structure
- door manufactured from 2mm sheet steel with stiffening frame, complete with Ø 3mm double bar locking system
- rear panel manufactured from 1.5mm sheet steel
- removable roof manufactured from 1.5mm sheet steel
- bottom with adjustable cable entry manufactured from 1.5mm sheet steel.

flat-pack cabinet

Supply includes:

- composition to be assembled complying with customers requests
- panels and doors are supplied together with two vertical uprights complete with accessories.

conformity and approval



conformity and approval assembled cabinet



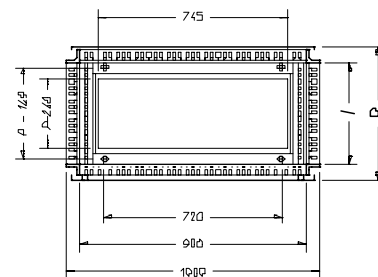
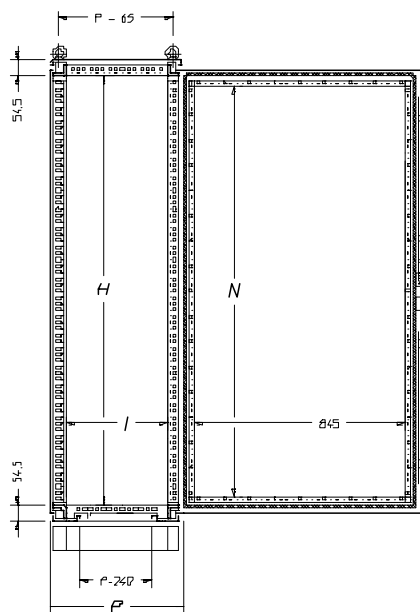
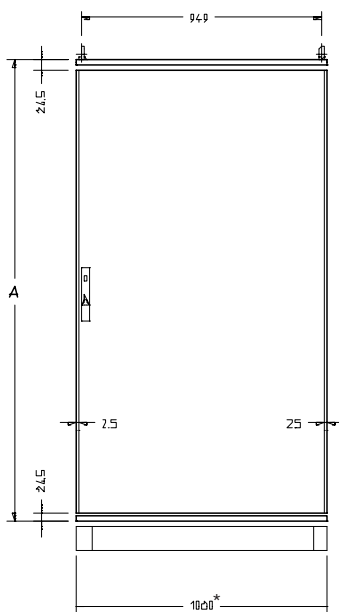
conformity and approval flat-pack cabinet



protection degree

- IP 55 complying with EN50298; EN60529
- type 12 complying with UL508A; UL50
- impact resistance IK10 complying with EN500298; EN50102.

To be ordered separately eyebolts and/or lifting brackets: see page 76.



* With side panels mounted L = 1016 mm

code		cabinet dim.		usable internal area		
mod.	art.	A	P	H	I	N
ARETA	101604PR	1609	414	1500	300	1430
	101605PR		514		400	
	101606PR		614		500	
	101804PR	1809	414	1700	300	1630
	101805PR		514		400	
	101806PR		614		500	
	101808PR	2009	814	1900	700	1830
	102004PR		414		300	
	102005PR		514		400	
	102006PR	2209	614	2100	500	2030
	102205PR		814		700	
	102206PR		514		400	
	102208PR		814		700	

assembled cabinet

cabinet dimensions			blank door + rear panel	glazed door + rear panel	front + rear blank doors
width	height	depth			
1000	1600	400	ARETA-101604PR	ARETA-101604PX	ARETA-101604DP
1000	1600	500	ARETA-101605PR	ARETA-101605PX	ARETA-101605DP
1000	1600	600	ARETA-101606PR	ARETA-101606PX	ARETA-101606DP
1000	1800	400	ARETA-101804PR	ARETA-101804PX	ARETA-101804DP
1000	1800	500	ARETA-101805PR	ARETA-101805PX	ARETA-101805DP
1000	1800	600	ARETA-101806PR	ARETA-101806PX	ARETA-101806DP
1000	1800	800	ARETA-101808PR	ARETA-101808PX	ARETA-101808DP
1000	2000	400	ARETA-102004PR	ARETA-102004PX	ARETA-102004DP
1000	2000	500	ARETA-102005PR	ARETA-102005PX	ARETA-102005DP
1000	2000	600	ARETA-102006PR	ARETA-102006PX	ARETA-102006DP
1000	2000	800	ARETA-102008PR	ARETA-102008PX	ARETA-102008DP
1000	2200	500	ARETA-102205PR	ARETA-102205PX	ARETA-102205DP
1000	2200	600	ARETA-102206PR	ARETA-102206PX	ARETA-102206DP
1000	2200	800	ARETA-102208PR	ARETA-102208PX	ARETA-102208DP

flat-pack cabinet

cabinet dimensions			roof + bottom	blank door	doors 500+500	glazed door	rear panel
width	height	depth					
1000	1600	400	ATTF-100040	ATPO-100160	ATPO-100160DP	ATPX-100160	ATRE-100160
1000	1600	500	ATTF-100050	ATPO-100160	ATPO-100160DP	ATPX-100160	ATRE-100160
1000	1600	600	ATTF-100060	ATPO-100160	ATPO-100160DP	ATPX-100160	ATRE-100160
1000	1800	400	ATTF-100040	ATPO-100180	ATPO-100180DP	ATPX-100180	ATRE-100180
1000	1800	500	ATTF-100050	ATPO-100180	ATPO-100180DP	ATPX-100180	ATRE-100180
1000	1800	600	ATTF-100060	ATPO-100180	ATPO-100180DP	ATPX-100180	ATRE-100180
1000	1800	800	ATTF-100080	ATPO-100180	ATPO-100180DP	ATPX-100180	ATRE-100180
1000	2000	400	ATTF-100040	ATPO-100200	ATPO-100200DP	ATPX-100200	ATRE-100200
1000	2000	500	ATTF-100050	ATPO-100200	ATPO-100200DP	ATPX-100200	ATRE-100200
1000	2000	600	ATTF-100060	ATPO-100200	ATPO-100200DP	ATPX-100200	ATRE-100200
1000	2000	800	ATTF-100080	ATPO-100200	ATPO-100200DP	ATPX-100200	ATRE-100200
1000	2200	500	ATTF-100050	ATPO-100220	ATPO-100220DP	ATPX-100220	ATRE-100220
1000	2200	600	ATTF-100060	ATPO-100220	ATPO-100220DP	ATPX-100220	ATRE-100220
1000	2200	800	ATTF-100080	ATPO-100220	ATPO-100220DP	ATPX-100220	ATRE-100220

How to make an order composition: for side panels see page 71, for m. plates see page 66 or 68, for plinths H=100 - 200 see page 72.

Remark: for cabinets supplied flat-pack with doors 500+500, WTAP-001 mechanical latches have to be ordered separately.



Areta 1200



characteristics

• STRUCTURE

Profile and rails are made up of a unique closed profile manufactured from 1.5mm sheet steel, fully welded and with rounded edges. The frame corners are manufactured with orthogonal joints laser welded to vertical upright rails and horizontal rails for the roof and bottom. Only 8 high resistance screws are necessary to mount the structure, while two position pins allow the easy mounting of the two parts of the joint.

paint finish

ETA standard epoxy polyester powder coating.

Structure, door and rear panel RAL 7032 textured finish.

Roof and bottom RAL 7025 textured finish.

assembled cabinet (PR)

Supply includes:

- structure
- door manufactured from 2mm sheet steel with stiffening frame, complete with Ø 3mm double bar locking system
- rear panel manufactured from 1.5mm sheet steel
- removable roof manufactured from 1.5mm sheet steel
- bottom with adjustable cable entry manufactured from 1.5mm sheet steel.

flat-pack cabinet

Supply includes:

- composition to be assembled complying with customers requests
- panels and doors are supplied together with two vertical uprights complete with accessories.

conformity and approval



conformity and approval assembled cabinet



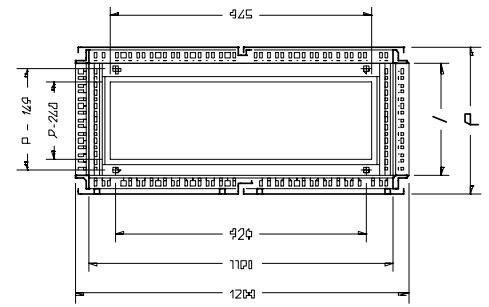
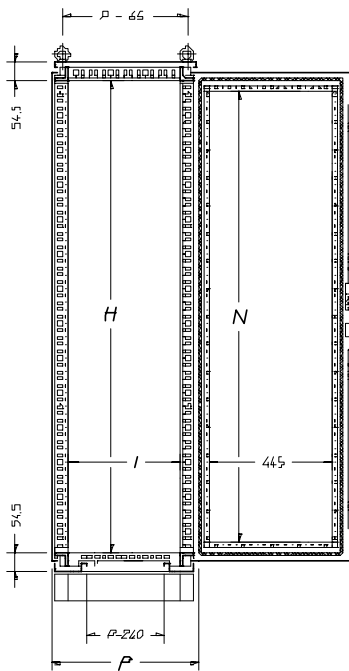
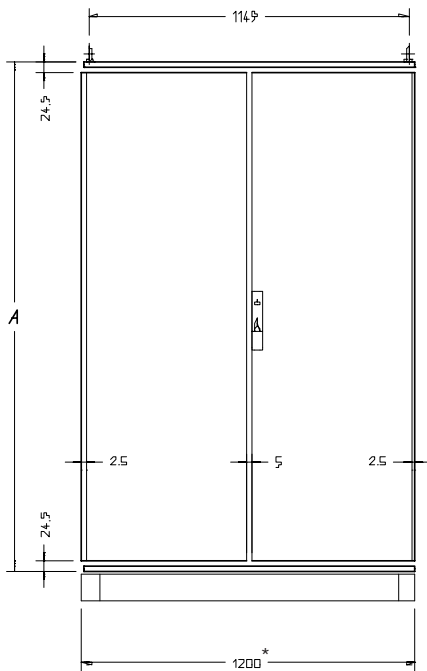
conformity and approval flat-pack cabinet



protection degree

- IP 55 complying with EN50298; EN60529
- type 12 complying with UL508A; UL50
- impact resistance IK10 complying with EN500298; EN50102.

To be ordered separately eyebolts and/or lifting brackets: see page 76.



* With side panels mounted L = 1216 mm

code		cabinet dim.		usable internal area		
mod.	art.	A	P	H	I	N
ARETA	121404PR	1409	414	1300	300	1230
	121405PR		514		400	
	121604PR	1609	414	1500	300	1430
	121605PR		514		400	
	121606PR	1809	614	1700	500	1630
	121804PR		414		300	
	121805PR	1809	514	1700	400	1630
	121806PR		614		500	
	121808PR	2009	814	1900	700	1830
	122004PR		414		300	
	122005PR	2009	514	1900	400	1830
	122006PR		614		500	
	122008PR	2209	814	2100	700	2030
	122205PR		514		400	
	122206PR	2209	614	2100	500	2030
	122208PR		814		700	

assembled cabinet

cabinet dimensions			blank door + rear panel	front + rear doors
width	height	depth		
1200	1400	400	ARETA-121404PR	ARETA-121404DP
1200	1400	500	ARETA-121405PR	ARETA-121405DP
1200	1600	400	ARETA-121604PR	ARETA-121604DP
1200	1600	500	ARETA-121605PR	ARETA-121605DP
1200	1600	600	ARETA-121606PR	ARETA-121606DP
1200	1800	400	ARETA-121804PR	ARETA-121804DP
1200	1800	500	ARETA-121805PR	ARETA-121805DP
1200	1800	600	ARETA-121806PR	ARETA-121806DP
1200	1800	800	ARETA-121808PR	ARETA-121808DP
1200	2000	400	ARETA-122004PR	ARETA-122004DP
1200	2000	500	ARETA-122005PR	ARETA-122005DP
1200	2000	600	ARETA-122006PR	ARETA-122006DP
1200	2000	800	ARETA-122008PR	ARETA-122008DP
1200	2000	1000	ARETA-122010PR	—
1200	2200	500	ARETA-122205PR	ARETA-122205DP
1200	2200	600	ARETA-122206PR	ARETA-122206DP
1200	2200	800	ARETA-122208PR	ARETA-122208DP

flat-pack cabinet

cabinet dimensions			roof + bottom	doors 600+600	rear panel
width	height	depth			
1200	1400	400	ATTF-120040	ATPO-120140	ATRE-120140
1200	1400	500	ATTF-120050	ATPO-120140	ATRE-120140
1200	1600	400	ATTF-120040	ATPO-120160	ATRE-120160
1200	1600	500	ATTF-120050	ATPO-120160	ATRE-120160
1200	1600	600	ATTF-120060	ATPO-120160	ATRE-120160
1200	1800	400	ATTF-120040	ATPO-120180	ATRE-120180
1200	1800	500	ATTF-120050	ATPO-120180	ATRE-120180
1200	1800	600	ATTF-120060	ATPO-120180	ATRE-120180
1200	1800	800	ATTF-120080	ATPO-120180	ATRE-120180
1200	2000	400	ATTF-120040	ATPO-120200	ATRE-120200
1200	2000	500	ATTF-120050	ATPO-120200	ATRE-120200
1200	2000	600	ATTF-120060	ATPO-120200	ATRE-120200
1200	2000	800	ATTF-120080	ATPO-120200	ATRE-120200
1200	2200	500	ATTF-120050	ATPO-120220	ATRE-120220
1200	2200	600	ATTF-120060	ATPO-120220	ATRE-120220
1200	2200	800	ATTF-120080	ATPO-120220	ATRE-120220

How to make an order composition: for side panels see page 71, for m. plates see page 66 or 68, for plinths H=100 - 200 see page 72.

Remark: for cabinets supplied flat-pack with rear door, WTAP-001 mechanical latches have to be ordered separately.



Areta 1400



characteristics

• STRUCTURE

Profile and rails are made up of a unique closed profile manufactured from 1.5mm sheet steel, fully welded and with rounded edges. The frame corners are manufactured with orthogonal joints laser welded to vertical upright rails and horizontal rails for the roof and bottom. Only 8 high resistance screws are necessary to mount the structure, while two position pins allow the easy mounting of the two parts of the joint.

paint finish

ETA standard epoxy polyester powder coating.

Structure, door and rear panel RAL 7032 textured finish.

Roof and bottom RAL 7025 textured finish.

assembled cabinet (PR)

Supply includes:

- structure
- door manufactured from 2mm sheet steel with stiffening frame, complete with Ø 3mm double bar locking system
- rear panel manufactured from 1.5mm sheet steel
- removable roof manufactured from 1.5mm sheet steel
- bottom with adjustable cable entry manufactured from 1.5mm sheet steel.

flat-pack cabinet

Supply includes:

- composition to be assembled complying with customers requests
- panels and doors are supplied together with two vertical uprights complete with accessories.

conformity and approval



conformity and approval assembled cabinet



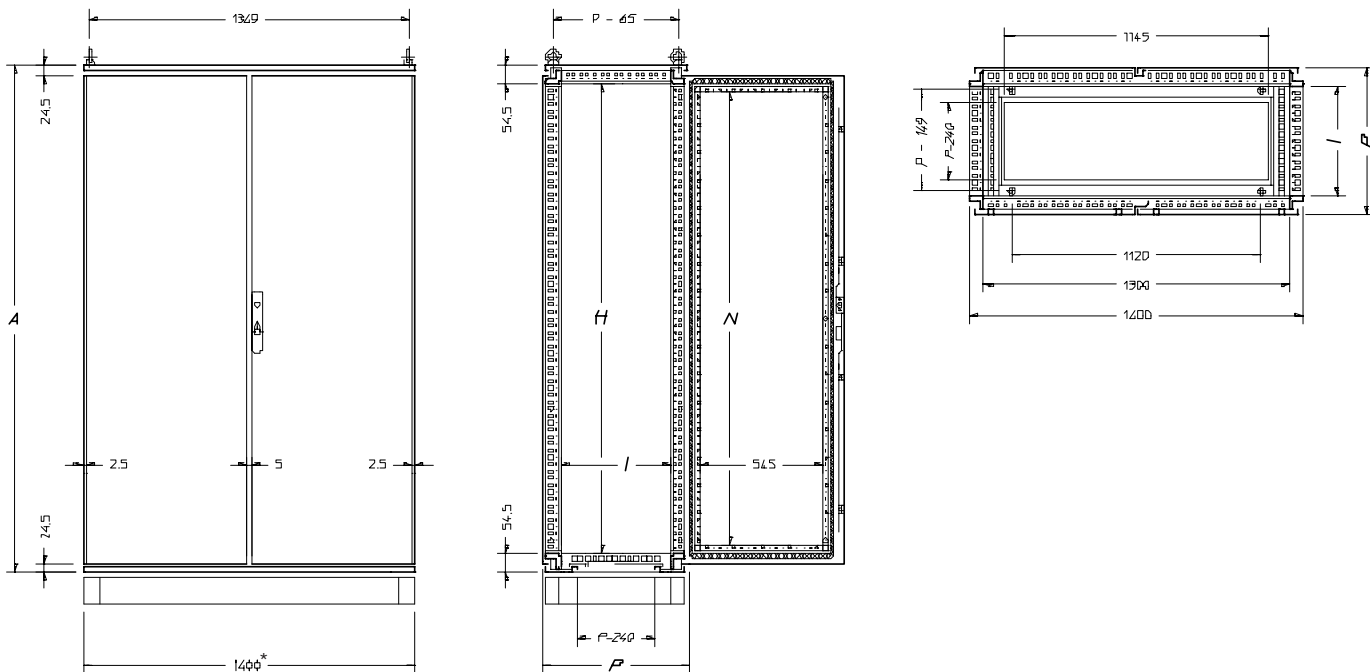
conformity and approval flat-pack cabinet



protection degree

- IP 55 complying with EN50298; EN60529
- type 12 complying with UL508A; UL50
- impact resistance IK10 complying with EN500298; EN50102.

To be ordered separately eyebolts and/or lifting brackets: see page 76.



* With side panels mounted L = 1416 mm

code		cabinet dim.		usable internal area		
mod.	art.	A	P	H	I	N
ARETA	142004PR	2009	414	1900	300	1830
	142005PR		514		400	
	142006PR		614		500	
	142008PR		814		700	

assembled cabinet

cabinet dimensions			blank door + rear panel	front + rear doors
width	height	depth		
1400	2000	400	ARETA-142004PR	ARETA-142004DP
1400	2000	500	ARETA-142005PR	ARETA-142005DP
1400	2000	600	ARETA-142006PR	ARETA-142006DP
1400	2000	800	ARETA-142008PR	ARETA-142008DP

flat-pack cabinet

cabinet dimensions			roof + bottom	doors 700+700	rear panel
width	height	depth			
1400	2000	400	ATTF-140040	ATPO-140200	ATRE-140200
1400	2000	500	ATTF-140050	ATPO-140200	ATRE-140200
1400	2000	600	ATTF-140060	ATPO-140200	ATRE-140200
1400	2000	800	ATTF-140080	ATPO-140200	ATRE-140200

How to make an order composition: for side panels see page 71, for m. plates see page 66 or 68, for plinths H=100 - 200 see page 72.

Remark: for cabinets supplied flat-pack with rear door, WTAP-001 mechanical latches have to be ordered separately.



Areta 1600



characteristics

• STRUCTURE

Profile and rails are made up of a unique closed profile manufactured from 1.5mm sheet steel, fully welded and with rounded edges. The frame corners are manufactured with orthogonal joints laser welded to vertical upright rails and horizontal rails for the roof and bottom. Only 8 high resistance screws are necessary to mount the structure, while two position pins allow the easy mounting of the two parts of the joint.

paint finish

ETA standard epoxy polyester powder coating.

Structure, door and rear panel RAL 7032 textured finish.

Roof and bottom RAL 7025 textured finish.

assembled cabinet (PR)

Supply includes:

- structure
- door manufactured from 2mm sheet steel with stiffening frame, complete with Ø 3mm double bar locking system
- rear panel manufactured from 1.5mm sheet steel
- removable roof manufactured from 1.5mm sheet steel
- bottom with adjustable cable entry manufactured from 1.5mm sheet steel.

flat-pack cabinet

Supply includes:

- composition to be assembled complying with customers requests
- panels and doors are supplied together with two vertical uprights complete with accessories.

conformity and approval



conformity and approval assembled cabinet



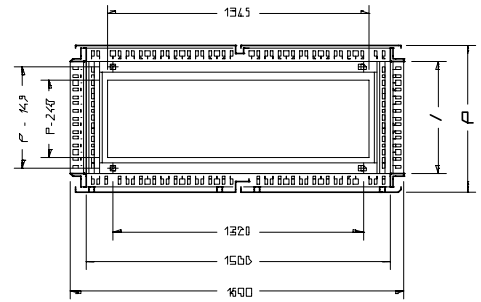
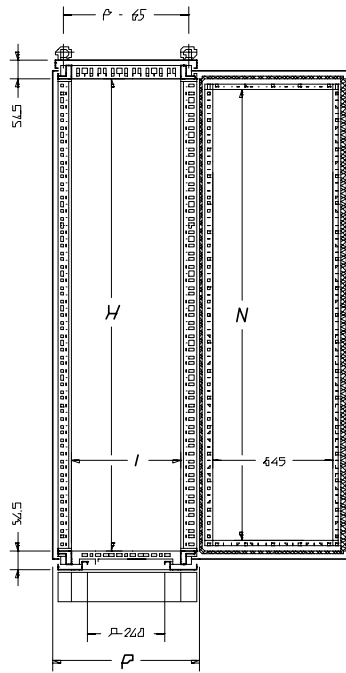
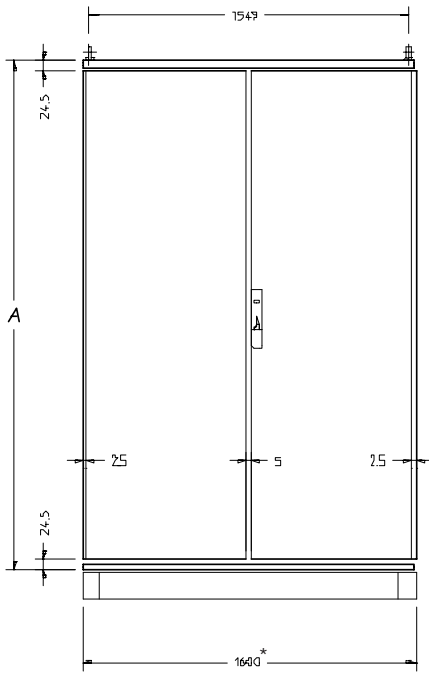
conformity and approval flat-pack cabinet



protection degree

- IP 55 complying with EN50298; EN60529
- type 12 complying with UL508A; UL50
- impact resistance IK10 complying with EN500298; EN50102.

To be ordered separately eyebolts and/or lifting brackets: see page 76.



* With side panels mounted L = 1616 mm

code		cabinet dim.		usable internal area		
mod.	art.	A	P	H	I	N
ARETA	161404PR	1409	414	1300	300	1230
	161405PR		514		400	
	162004PR	414	300			
	162005PR	514	400			
	162006PR	614	500			
	162008PR	814	700			

assembled cabinet

cabinet dimensions			blank door + rear panel	front + rear doors
width	height	depth		
1600	1400	400	ARETA-161404PR	ARETA-161404DP
1600	1400	500	ARETA-161405PR	ARETA-161405DP
1600	2000	400	ARETA-162004PR	ARETA-162004DP
1600	2000	500	ARETA-162005PR	ARETA-162005DP
1600	2000	600	ARETA-162006PR	ARETA-162006DP
1600	2000	800	ARETA-162008PR	ARETA-162008DP

flat-pack cabinet

cabinet dimensions			roof + bottom	doors 800+800	rear panel
width	height	depth			
1600	1400	400	ATTF-160040	ATPO-160140	ATRE-160140
1600	1400	500	ATTF-160050	ATPO-160140	ATRE-160140
1600	2000	400	ATTF-160040	ATPO-160200	ATRE-160200
1600	2000	500	ATTF-160050	ATPO-160200	ATRE-160200
1600	2000	600	ATTF-160060	ATPO-160200	ATRE-160200
1600	2000	800	ATTF-160080	ATPO-160200	ATRE-160200

How to make an order composition: for side panels see page 71, for m. plates see page 66 or 68, for plinths H=100 - 200 see page 72.

Remark: for cabinets supplied flat-pack with rear door, WTAP-001 mechanical latches have to be ordered separately.



complementary accessories



CABLE ENTRY MODULE FRONT OPENING

To be used as an end or an intermediate element in a suite of cabinets.
Front and/or rear access.

characteristics

• STRUCTURE

Profile and rails are made up of a unique closed profile manufactured from 1.5mm sheet steel, all welded and with rounded edges. The frame corners are manufactured with orthogonal joints laser welded to vertical upright rails and horizontal rails for roof and bottom.

Only 8 high resistance screws are necessary to mount the structure, while two position pins allow the easy mounting of the two parts of the joint.

paint finish

ETA standard epoxy polyester powder coating.

- structure, door and rear panel in RAL 7032 textured finish
- bottom, roof and plinth RAL 7025 textured finish.

assembled cabinet (PR)

Supply includes:

- structure
- door manufactured from 2mm sheet steel with stiffening frame, complete with Ø 3mm double bar locking system
- rear panel manufactured from 1.5mm sheet steel
- removable roof manufactured from 1.5mm sheet steel
- bottom with adjustable cable entry manufactured from 1.5mm sheet steel.

protection degree

- IP 55.

To be ordered separately eyebolts and/or lifting brackets: see page 76.

assembled cable entry mod.

code		cabinet dim.	
mod.	art.	height	depth
ARETA	031604	1609	414
	031605		514
	031606		614
	031804	1809	414
	031805		514
	031806		614
	031808		814
	032004	2009	414
	032005		514
	032006		614
	032008		814
	032205	2209	514
	032206		614
	032208		814

flat-pack cable entry module

cabinet dimensions			roof + bottom	blank door	rear panel
width	height	depth			
300	1600	400	ATTF-030040	ATPO-030160	ATRE-030160
300	1600	500	ATTF-030050	ATPO-030160	ATRE-030160
300	1600	600	ATTF-030060	ATPO-030160	ATRE-030160
300	1800	400	ATTF-030040	ATPO-030180	ATRE-030180
300	1800	500	ATTF-030050	ATPO-030180	ATRE-030180
300	1800	600	ATTF-030060	ATPO-030180	ATRE-030180
300	1800	800	ATTF-030080	ATPO-030180	ATRE-030180
300	2000	400	ATTF-030040	ATPO-030200	ATRE-030200
300	2000	500	ATTF-030050	ATPO-030200	ATRE-030200
300	2000	600	ATTF-030060	ATPO-030200	ATRE-030200
300	2000	800	ATTF-030080	ATPO-030200	ATRE-030200
300	2200	500	ATTF-030050	ATPO-030220	ATRE-030220
300	2200	600	ATTF-030060	ATPO-030220	ATRE-030220
300	2200	800	ATTF-030080	ATPO-030220	ATRE-030220

To be ordered separately: side panels (see page 71).

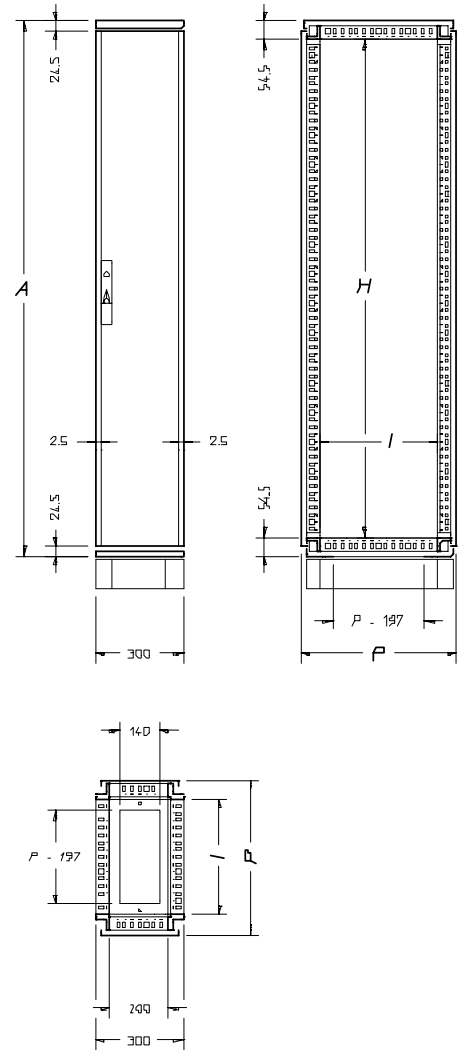
complementary accessories

CABLE ENTRY MODULE FRONT OPENING flat-pack module

Supply includes:

- composition to be assembled complying with customers requests
- panels and doors are supplied together with two vertical uprights complete with accessories.

To be ordered separately eyebolts and/or lifting brackets: see page 76.



cabinet dim.		usable internal area	
height	width	H	I
1609	414	1500	300
	514		400
	614		500
1809	414	1700	300
	514		400
	614		500
	814		700
2009	414	1900	300
	514		400
	614		500
2209	514	2100	400
	614		500
	814		700

plinths

code		cabinet depth	P
mod.	art.		
ATZ1 (h=100)	030040	414	378
	030050	514	478
ATZ2 (h=200)	030060	614	578
	030080	814	778

complementary accessories



FRONT INSERTED MOUNTING PLATE ATPA

Manufactured from sendzimir sheet steel.

- thickness 2.5mm for L<1000
- thickness 3mm for L≥1000.

mounting plate

code		cabinet dim.		mounting plate	
mod.	art.	B	A	L	H
ATPA	040160	400	1609	285	1480
	040180		1809		1680
	040200		2009		1880
	040220		2209		2080
	060140	600	1409	485	1280
	060160		1609		1480
	060180		1809		1680
	060200		2009		1880
	060220	2209	2080		
	080140	800	1409	685	1280
	080160		1609		1480
	080180		1809		1680
	080200		2009		1880
	080220	2209	2080		
	100160	1000	1609	885	1480
	100180		1809		1680
	100200		2009		1880
	100220		2209		2080
	120140	1200	1409	1085	1280
	120160		1609		1480
120180	1809		1680		
120200	2009		1880		
120220	2209	2080			
140200	1400	2009	*	1285	1880
160140	1600	1409	*	1485	1280
160200		2009			1880



To be ordered separately
mounting accessories WTKB-002

WTSC-001

On request.

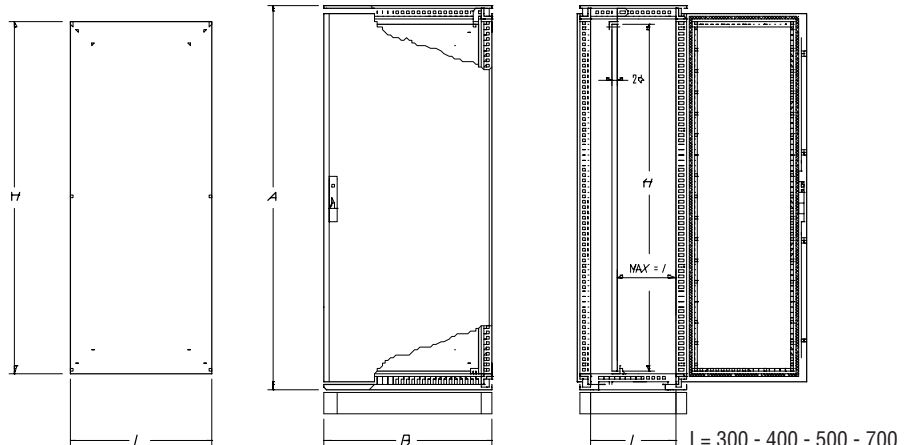
- central support brackets for mounting plates
- supply includes: 2 pieces with mounting accessories.



To be ordered separately
fixing rails H=50 (see page 111).

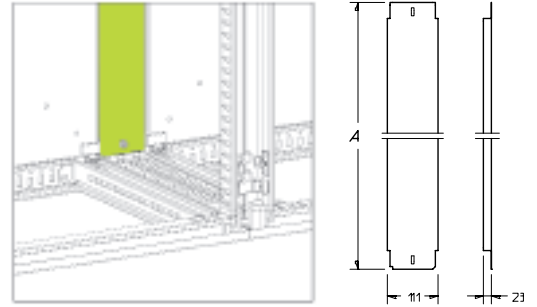
* For L ≥ 1400

Mounting plate manufactured with two parts with horizontal union and stiffening omega.



complementary accessories

INTERMEDIATE MOUNTING PLATE ATPN
 To give continuity to mounting plates between two cabinets mounted in a suite.
 characteristics
 2.5mm pressbent sendzimir sheet steel.
 Supply includes mounting accessories.



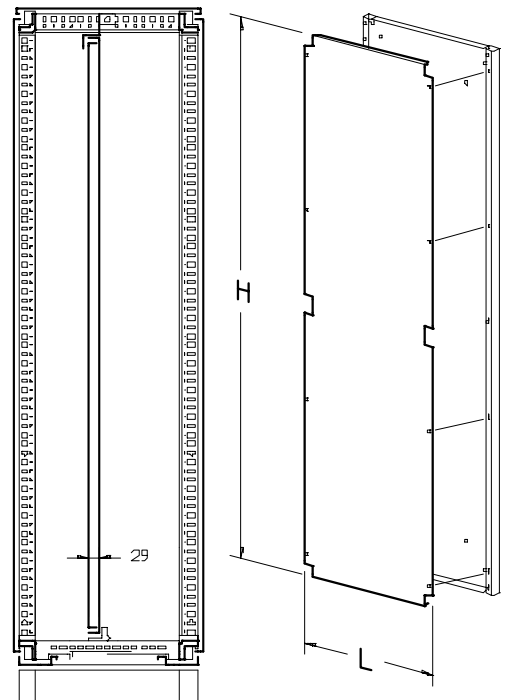
intermediate mounting plate

code		cabinet height	A
mod.	art.		
ATPN	001400	1400	1286
	001600	1600	1486
	001800	1800	1686
	002000	2000	1886
	002200	2200	2086

SUPPLEMENTARY MOUNTING PLATE ATPS
 Applied on the rear part to obtain a supplementary mounting plate.
 characteristics
 Manufactured from 2.5mm sendzimir sheet steel.
 Supply includes mounting accessories.

supplementary mounting plate

code		cabinet dimensions		mounting plate	
mod.	art.	width	height	L	H
ATPS	040160	400	1609	280	1470
	040180		1809		1670
	040200		2009		1870
	040220		2209		2070
	060140	600	1409	480	1270
	060160		1609		1470
	060180		1809		1670
	060200		2009		1870
	060220	2209	2070		
	080140	800	1409	680	1270
	080160		1609		1470
	080180		1809		1670
	080200		2009		1870
	080220	2209	2070		
	100160	1000	1609	880	1470
	100180		1809		1670
	100200		2009		1870
	100220		2209		2070



complementary accessories



SIDE INSERTED MOUNTING PLATE ATPL

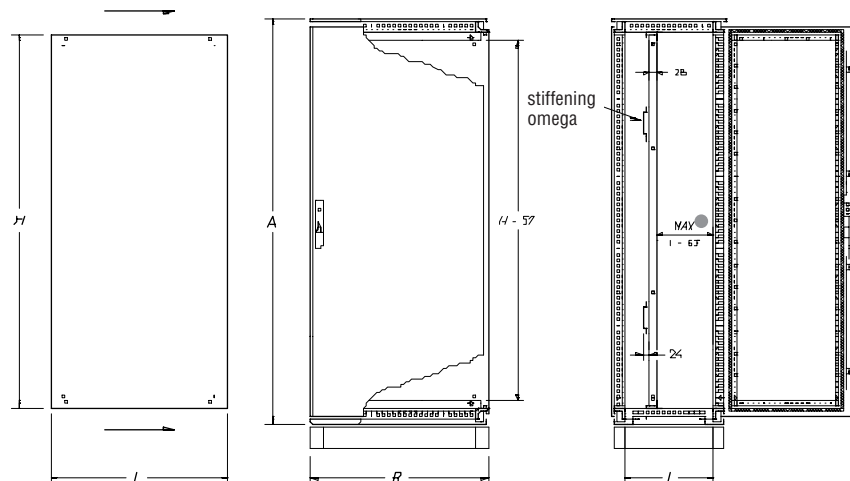
Manufactured from 2.5mm sendzimir sheet steel.

Supply includes mounting accessories and sliding guides.

mounting plate

code		cabinet dim.		mounting plate		
mod.	art.	B	A	L	H	
ATPL	040160	400	1609	400	1485	
	040180		1809		1685	
	040200		2009		1885	
	040220		2209		2085	
	060140	600	1409	600	1285	
	060160		1609		1485	
	060180		1809		1685	
	060200		2009		1885	
	060220	2209	2085			
	080140	800	1409	800	1285	
	080160		1609		1485	
	080180		1809		1685	
	080200		2009		1885	
	080220	2209	2085			
	100160	1000	1609	1000	1485	
	100180		1809		1685	
	100200		2009		1885	
	100220		2209		2085	
	120140	1200	1409	1200	1285	
	120160		1609		1485	
	120180		1809		1685	
	120200		2009		1885	
	120220	2209	2085			
	140200	1400	2009	*	1400	1885
	160140	1600	1409	*	1600	1285
	160200		2009			1885

* For $L \geq 1400$
Mounting plate manufactured with two parts with vertical union and stiffening omega.



Stiffening omega:
sold separately with max length 3m.

● Calculated without stiffening omega.



complementary accessories

BLANK DOOR ATPO

Door manufactured from 2mm pressbent sheet steel.

paint finish

ETA standard epoxy polyester powder coating.
Colour RAL 7032 textured finish.

supply includes

- two upright rails complete with accessories
 - door complete with sealing gasket
 - Ø 3mm double bar locking system
 - tubular stiffening frame.

For codes see tables “FLAT-PACK ARETA”.



ARETA WITH SPLIT VERTICAL DOORS ATPO

Door manufactured from 2mm sheet steel material.

paint finish

ETA standard epoxy-polyester powder coating.
Standard colour: RAL 7032 textured finish.

supply includes

- doors 400+400mm wide for a single cabinet 800mm wide
- doors 800+200mm wide for a single cabinet 1000mm wide
- doors 800+400mm wide for a single cabinet 1200mm wide.

protection degree

- IP 55 complying with EN50298; EN60529
 - type 12 complying with UL508A; UL50
- impact resistance IK10 complying with EN500298; EN50102.

WTAP 001 mechanical latches to be ordered separately.

Available on request.



DOOR STOP WTFFP-001

Holds the door open at 90° to avoid accidental closing.

Manufactured from 2.5mm zincpassivated sheet steel.

Supply includes 1 piece complete with mounting accessories.





complementary accessories



GLAZED DOOR ATPX

Manufactured from 2mm sheet steel with tubular stiffening frame

- 4mm transparent plexiglas sheet.

paint finish

ETA standard epoxy polyester powder coating

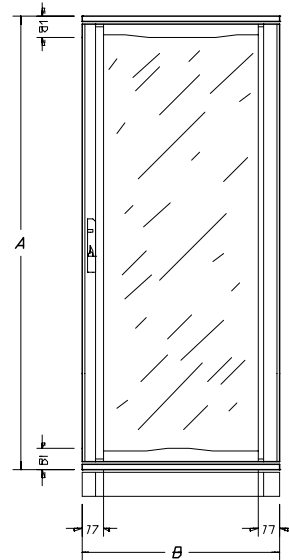
- profiles RAL 7025
- door RAL 7032 textured finish.

supply includes

- two upright rails complete with accessories
- door complete with sealing gasket
- Ø 3mm double bar locking system
- vertical aluminium profiles
- tubular stiffening frame.

Note: the Areta cabinet with glazed door is provided with IP 54 certification with CE, EX, TÜV, RINA marks.

For codes see tables "FLAT-PACK ARETA"



cabinet dim.	
B	A
600	1409
	1609
	1809
	2009
800	2209
	1409
	1609
	1809
1000	2009
	2209
	1609
	1809



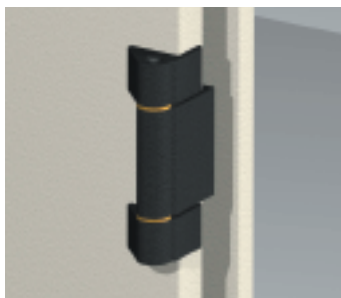
180° HINGES WTCE - 180001

180° hinges to be mounted on standard doors with mounting accessories.

supply includes

- WTCE-180001 4 pieces
- WTCE-180002 5 pieces
- WTCE-180003 3 pieces

code		door height
mod.	art.	
WTCE	180001	1800-2000
	180002	2200
	180003	1400-1600



complementary accessories

LATERAL DOOR ATPF

Manufactured from 1.5mm sheet steel.

paint finish

ETA standard epoxy polyester powder coating. Colour: RAL 7032 textured finish.

supply includes

- door complete with sealing gasket
- 4 hinges
- mounting accessories.

code		cabinet dimensions	
mod.	art.	height	depth
ATPF	040140	1400	400
	050140		500
	060140		600
	040160	1600	400
	050160		500
	060160		600
	040180	1800	400
	050180		500
	060180		600
	080180		800
	040200	2000	400
	050200		500
	060200		600
	080200		800
	050220	2200	500
	060220		600
080220	800		



SIDE PANELS ATFI

Manufactured from 1.5mm pressbent sheet steel.

paint finish

ETA standard epoxy polyester powder coating. Colour RAL 7032 textured finish.

supply includes

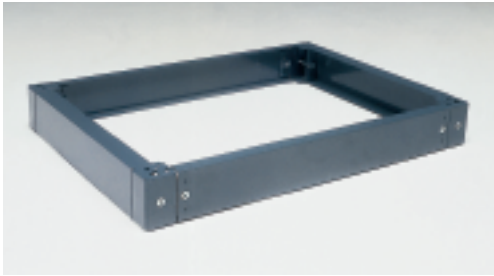
- two side panels
- rapid fasten couplers
- mounting accessories.

code		cabinet dimensions	
mod.	art.	height	depth
ATFI	040140	1400	400
	050140		500
	040160		400
	050160	1600	500
	060160		600
	040180		400
	050180	1800	500
	060180		600
	080180		800
	040200		400
	050200	2000	500
	060200		600
	080200		800
	100200		1000
	050220	2200	500
	060220		600
080220	800		





complementary accessories



STANDARD PLINTH:
H=100 ATZ1 - H=200 ATZ2

characteristics

Corners: manufactured from 2.5mm pressed sheet steel.

Cross channels: manufactured from 2mm pressed sheet steel cross.

paint finish

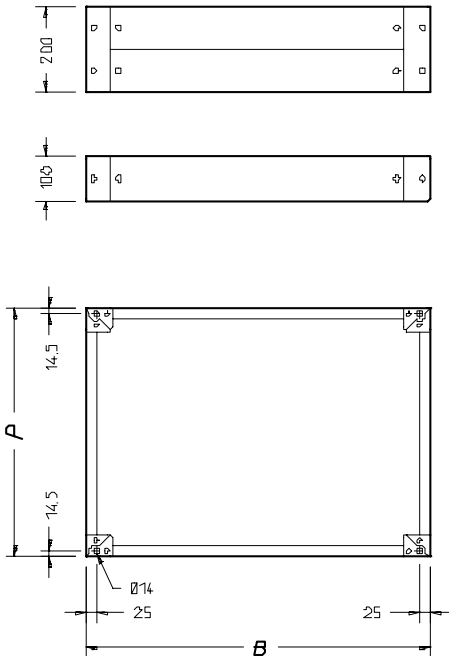
ETA standard epoxy polyester powder coating.

Colour: RAL 7025.

supply includes

- 4 corners
- cross channels.

The reduced dimension of the corners allow the easy handling of the cabinet.
The side covers can be removed from the front and from the rear.



plinth

code		cabinet dim.		plinth		
mod.	art.	width	depth	B	P	
ATZ1 (h=100)	040040	400	414	400	378	
	040050		514		478	
	040060		614		578	
	040080		814		778	
	060040	600	414	600	378	
	060050		514		478	
	060060		614		578	
	060080		814		778	
	060100		1014		978	
	080040	800	414	800	378	
	080050		514		478	
	080060		614		578	
	080080		814		778	
	080100		1014		978	
	ATZ2 (h=200)	100040	1000	414	1000	378
		100050		514		478
		100060		614		578
		100080		814		778
		120040	1200	414	1200	378
		120050		514		478
120060		614		578		
120080		814		778		
120100		1014		978		
140040	1400	414	1400	378		
140050		514		478		
140060		614		578		
140080		814		778		
160040	1600	414	1600	378		
160050		514		478		
160060		614		578		
160080		814		778		

complementary accessories

WATERTIGHT PLINTH H=200 ATZ3

To be used to protect cables from chemical agents and accidental shocks.

characteristics

Manufactured from 2mm pressbent and welded sheet steel.

paint finish

ETA standard epoxy polyester powder coating.

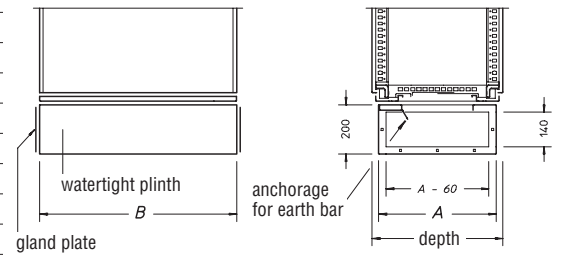
Colour: RAL 7025 textured finish.

supply includes

- plinth without covers
- adhesive gasket
- mounting accessories.

watertight plinth

code		cabinet dimensions		plinth	
mod.	art.	width	depth	B	A
ATZ3	040040	400	414	400	378
	040050		514		478
	040060		614		578
	040080		814		778
	060040	600	414	600	378
	060050		514		478
	060060		614		578
	060080		814		778
	080040	800	414	800	378
	080050		514		478
	080060		614		578
	080080		814		778
	100040	1000	414	1000	378
	100050		514		478
	100060		614		578
	100080		814		778
120040	1200	414	1200	378	
120050		514		478	
120060		614		578	
120080		814		778	



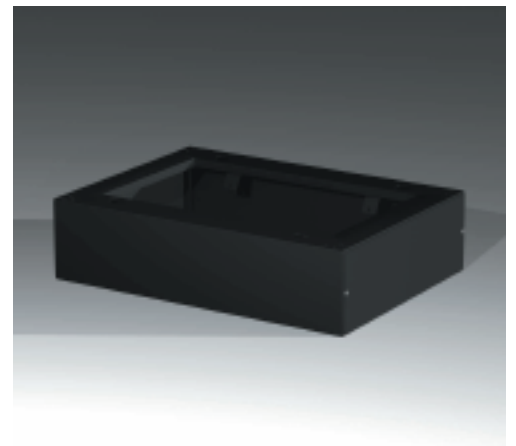
Remark: to be ordered separately two side covers.

TWO SIDE COVERS ATFL

supply includes

- two side covers with gasket
- mounting accessories.

code		cabinet depth
mod.	art.	
ATFL	000400	414
	000500	514
	000600	614
	000800	814





complementary accessories

ANTI VIBRATION FEET

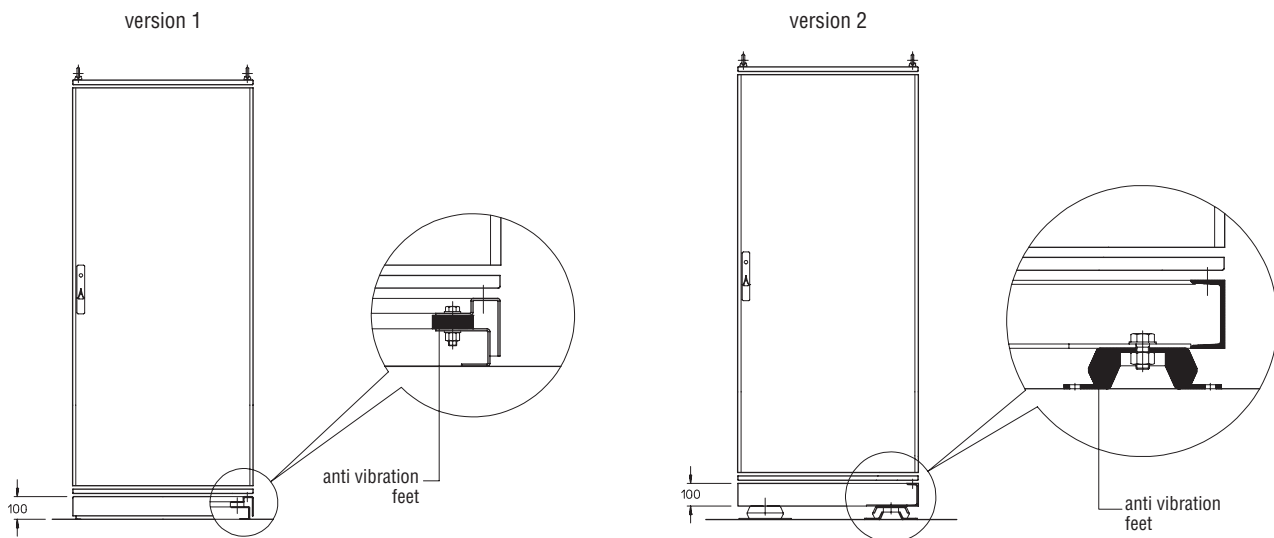
Available in 2 versions:

- 1) manufactured in 3mm sheet steel, 100mm high, with special anti vibration devices
- 2) U shaped hot-rolled profile, 100mm high, with anti vibration feet.

paint finish

RAL 7025 textured finish.

Available on request.



TRANSPORTATION PLINTH

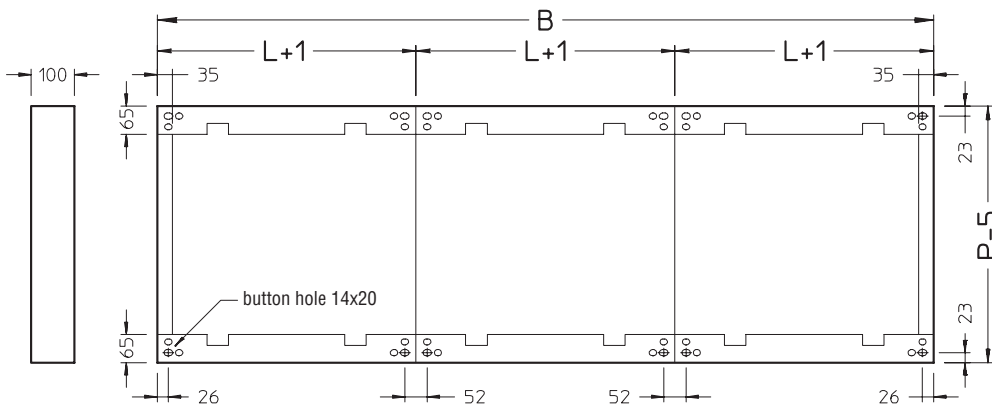
Available in 2 versions:

- 1) manufactured in 3mm sheet steel, 100mm high
- 2) U shaped hot-rolled profile, 100mm high.

paint finish

RAL 7025 textured finish.

Available on request.



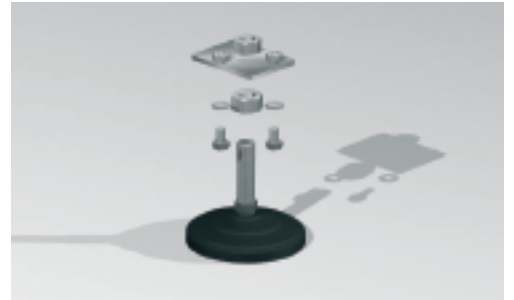
L = width
P = depth
B max = 3000mm (single piece)

complementary accessories

LEVELLING FEET WTPX-001

They can be applied on the cabinet structure or plinth.
They make easier the floor cleaning and adjust different height.

supply includes
4 pieces with plate and mounting accessories.



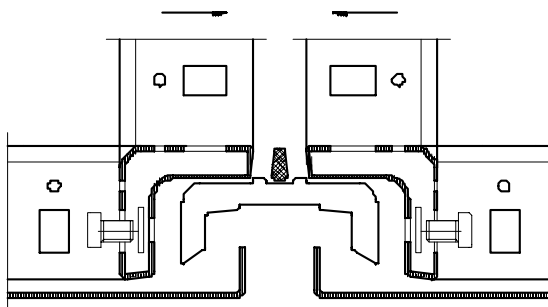
JOINING KIT ATKU

To be used to join two cabinets together.
It is better to use lifting brackets WTSS-001
instead of lifting eyebolts.
Supply includes union spacers, fixing accessories
and gasket to guarantee IP protection degree.

supply includes
ATKU-001 includes 4 pieces for cabinet H=1400.
ATKU-002 includes 8 pieces for cabinet H=1600/1800/2000/2200.

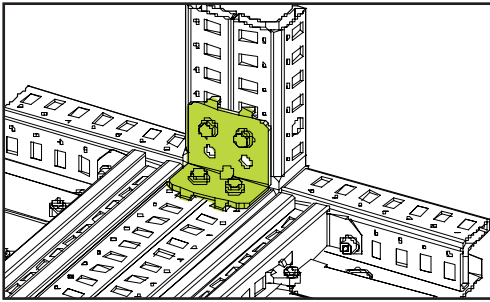
joining kit

code		cabinet height
mod.	art.	
ATKU	001	1400
	002	1600
		1800
		2000
		2200





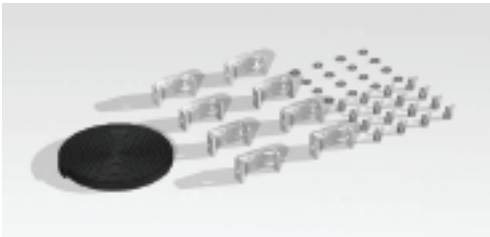
complementary accessories



REINFORCING BRACKETS ATKU-003

Manufactured from 4mm zincpassivated sheet steel.
To be used to grant more rigidity to cabinets joined in a suite.

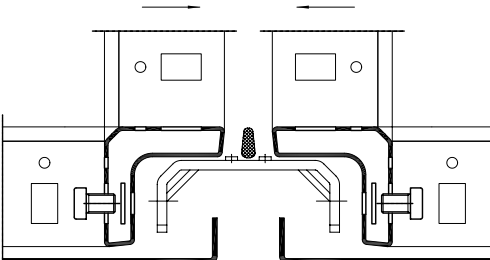
supply includes
4 pieces, mounting accessories.



JOINING KIT ATKU-005, ATKU-006

Simplified solution of joining kit, thickness 4mm.

supply includes
ATKU-005 includes 4 pieces for cabinet H=1400.
ATKU-006 includes 8 pieces for cabinet H=1600/1800/2000/2200.



code		cabinet height
mod.	art.	
ATKU	005	1400
	006	1600
		1800
		2000
		2200



WTGS-001

Zined M12 lifting eyebolts.

supply includes
4 pieces.



WTSS-001

5mm zined sheet steel
lifting brackets.

supply includes
4 pieces.



complementary accessories

FRAME JOINING KIT BACK TO BACK
 Special kit to join cabinets back to back, manufactured in 1.5mm sheet steel.

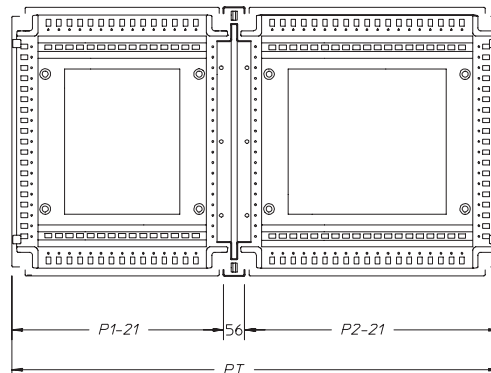
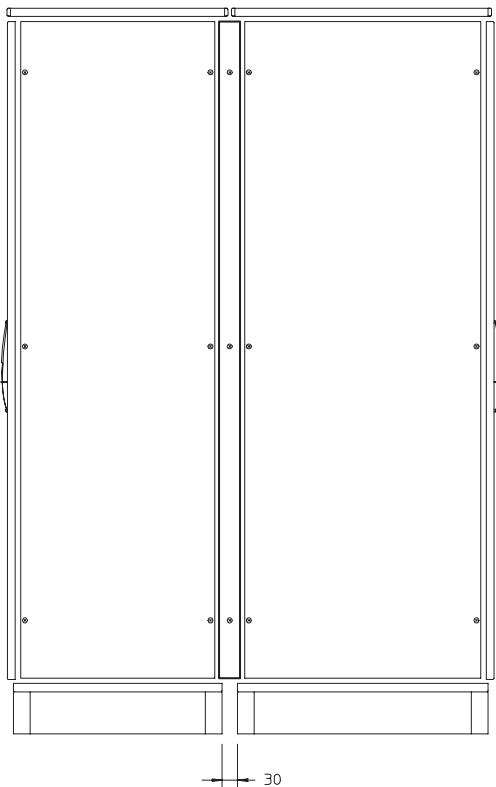
paint finish
 RAL 7032 textured finish.
 supply includes

- joining frame
- trim covers, gasket and mounting accessories.

Available on request.

frame joining kit back to back

dimensions		code	
L	H	mod.	art.
600	1800	ATTP	060180
800	1800		080180
1200	1800		120180
600	2000		060200
800	2000		080200
1200	2000		120200





complementary accessories

CABLE ENTRY BOX ATVC

For mounting on enclosure roof offering complete accessibility from each side and allows cabling or busbar systems to be installed.

characteristics

Manufactured from 2mm sheet steel.

paint finish

ETA standard epoxy polyester powder coating.
Colour: RAL 7032 textured finish.

supply includes

- cable entry box with rear and front panels
- adhesive gasket.

protection degree

IP 55 complying with EN50298; EN60529.

To be ordered separately:

- **side covers**
- **use cabinet roof to close top of cable box**
- **dividing panel between cable entry box and cabinet available on request (manufactured from 1.5mm sheet steel including sealing gasket)**

cable entry box

code		cabinet dim.		B	P
mod.	art.	width	depth		
ATVC	040050	400	500	400	514
	040060		600		614
	040080		800		814
	060050	600	500	600	514
	060060		600		614
	060080		800		814
	080050	800	500	800	514
	080060		600		614
	080080		800		814
	100050	1000	500	1000	514
	100060		600		614
	100080		800		814
	120050	1200	500	1200	514
	120060		600		614
	120080		800		814

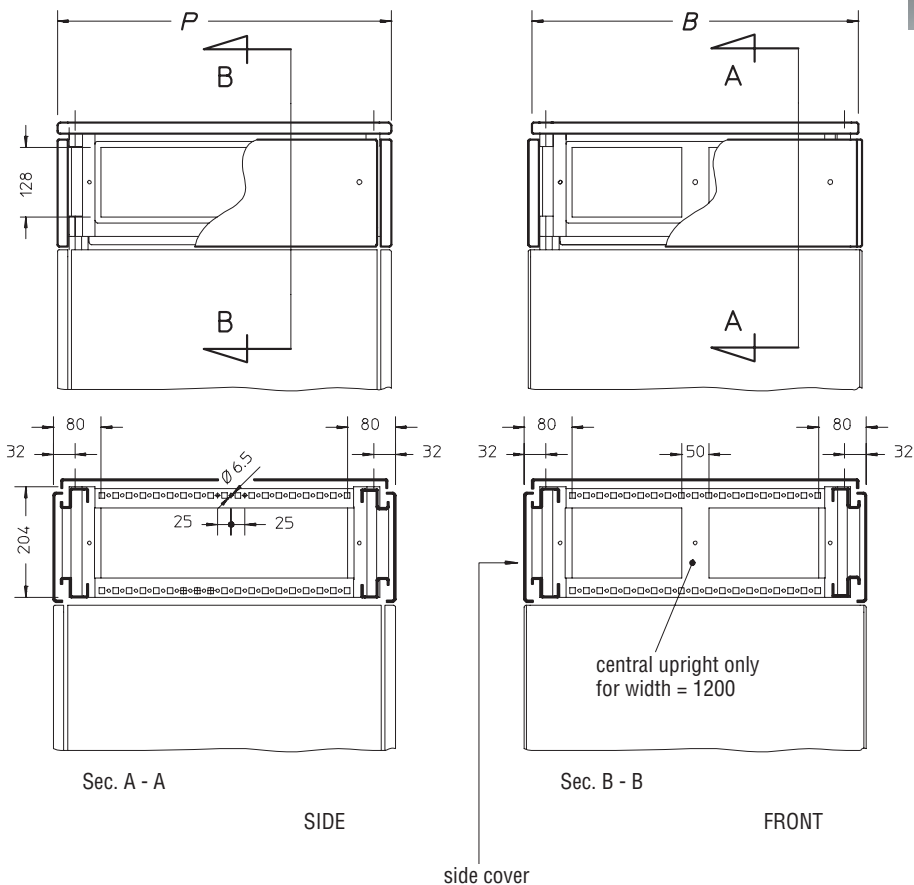
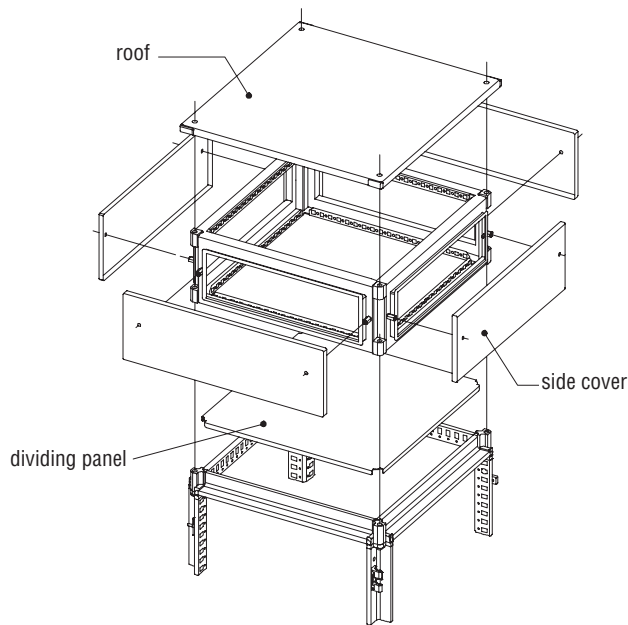
dividing panel

code		cabinet dim.	
mod.	art.	width	depth
WTLC	040050	400	500
	040060		600
	040080		800
	060050	600	500
	060060		600
	060080		800
	080050	800	500
	080060		600
	080080		800
	100050	1000	500
	100060		600
	100080		800
	120050	1200	500
	120060		600
	120080		800

side covers (2 pieces)

code		cabinet depth
mod.	art.	
WTFV	000500	500
	000600	600
	000800	800

complementary accessories





complementary accessories



ONE PIECE CABLE ENTRY BOX FOR JOINED CABINETS

- manufactured from 2mm sheet steel.

paint finish

RAL 7032 textured finish.

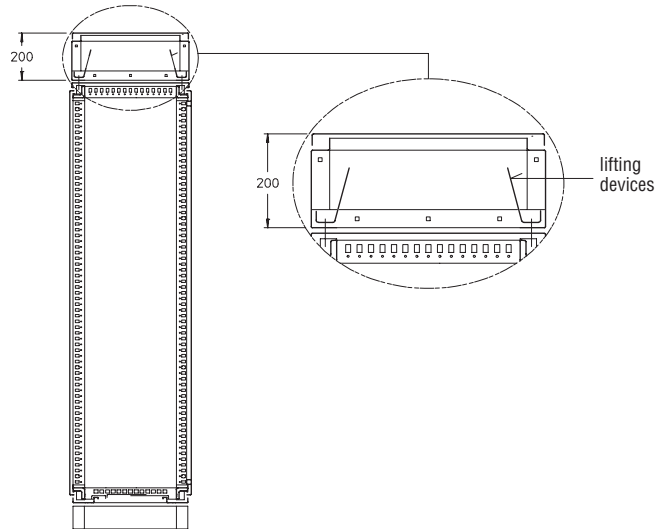
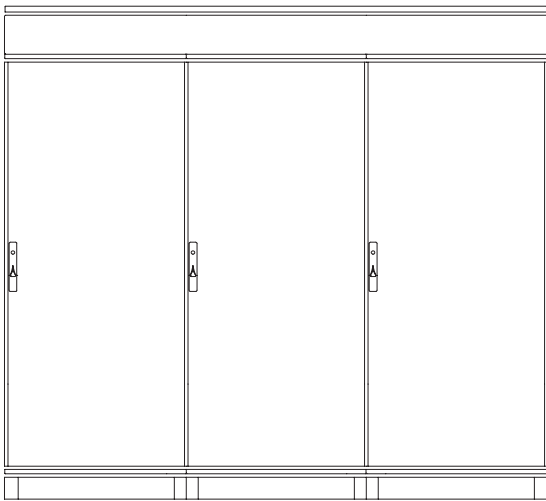
supply includes

- one piece cable entry box with lifting devices.

Remark: available in one piece up to 1800mm wide.

To be ordered separately a pair of lifting devices 5mm thick.

Available on request.



TOP MOUNTING AIR DUCT FOR JOINED CABINETS

- manufactured from 1.5mm sheet steel.

paint finish

RAL 7025 textured finish.

Available on request.



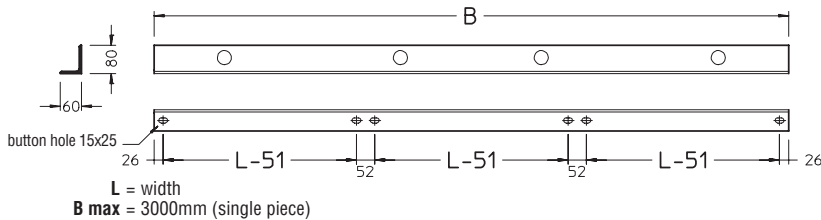
complementary accessories

LIFTING DEVICE FOR JOINED CABINETS

- L shaped profile hot-rolled 80x60mm.

paint finish
RAL 7025 textured finish.

Available on request.



ARETA CORNER CABINET

Manufactured from 1.5mm sheet steel.

paint finish
RAL 7032 textured finish.

supply includes

- joining frame
- removable front trim panel
- side trim panels
- gasket and mounting accessories.

conformity and approval



conformity and approval Areta assembled



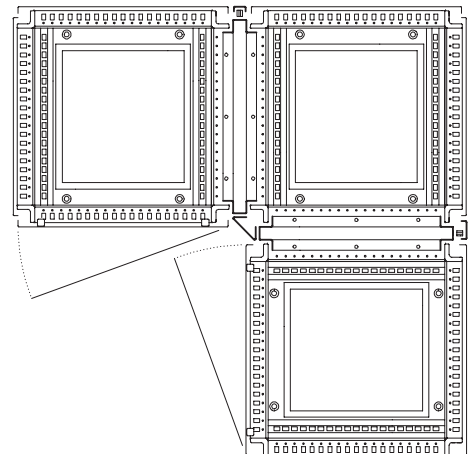
conformity and approval Areta flat-pack



protection degree

- IP 55 complying with EN50298; EN60529
- type 12 complying with UL508A; UL50
- impact resistance IK10 complying with EN500298; EN50102.

Available on request.





complementary accessories



FAST FIXING BRACKETS WTPR

A cost effective solution allowing rapid fixing.
Manufactured from 2mm sendzimir sheet steel.

supply includes
4 pieces.

rails H 25

code		cabinet dimensions
mod.	art.	
WTPR	025040R	400
	025050R	500
	025060R	600
	025080R	800
	025100R	1000

rails H 50

code		cabinet dimensions
mod.	art.	
WTPR	050040R	400
	050050R	500
	050060R	600
	050080R	800
	050100R	1000



CABINET MOUNTING KIT ATKM-001

Dynamometric key.



CABINET MOUNTING KIT ATKM-002

Electric screwer with battery charger.



CABINET MOUNTING KIT ATKM-003

Professional electric screwer with battery charger.



CABINET MOUNTING KIT ATKM-004

Kit of 2 Allen wrenches,
1 for dynamometric key
and 1 for electric screwer.



complementary accessories

MICROSWITCH WI-100
Complying with IEC 337-VDE 0660
conformity and approval



Fast installed thermoplastic support.
Supply includes: one microswitch, one support, mounting accessories.



THREE-PHASE FLASHING SAFETY DEVICE WI-105

The unit indicates the power status of the distribution board.
It is connected just after the main switch and positioned
so that it is clearly visible when the door is opened.
Flashing indicates dangerous voltage.

supply includes

- metal fixing bracket
- flashing device
- auxiliary switch with NC contacts.

conformity and approval



ON REQUEST NO CONTACT SWITCH (REF. WI 107) IS AVAILABLE.



WA-218

M5 \varnothing 5.5x13 zincpassivated self-tapping screws.
Supply includes: 50 pieces.



How to order an assembled ARETA cabinet

example

Cabinet dimensions 800 x 2000 x 600 (W x H x D)
with blank front door and screwed rear panel,
complete with mounting plate, lateral panels and plinth.

codes

STRUCTURE

ARETA - 0 8 2 0 0 6 P R

1 2 3 4 5

- 1 Indicative code
- 2 It shows the width of the cabinet
- 3 It shows the height of the cabinet
- 4 It shows the depth of the cabinet
- 5 Suffix that shows the cabinet composition

PR stands for the cabinet structure with front door and screwed rear panel. If a front glazed door is required, it is necessary to change the suffix PR with PX (ARETA-082006PX). If blank doors are required in the front and in the rear, the suffix changes into DP (ARETA-082006DP).

SINGLE PACKAGING.

FRONT INSERTED MOUNTING PLATE

ATPA - 0 8 0 2 0 0

1 2 3

- 1 Indicative code
- 2 It shows the cabinet width
- 3 It shows the cabinet height

It shows a front inserted mounting plate. If a side inserted mounting plate is required, the code is ATPL-080200.

SINGLE PACKAGING.

WTKB - 002

Mounting accessories of ATPA mounting plate (to be ordered separately).

SIDE PANELS

ATFI - 0 6 0 2 0 0

1 2 3

- 1 Indicative code
- 2 It shows the cabinet depth
- 3 It shows the cabinet height

It shows two lateral panels complete with mounting accessories.

SINGLE PACKAGING.

PLINTH (H=100)

ATZ1 - 0 8 0 0 6 0

1 2 3

- 1 Indicative code
- 2 It shows the cabinet width
- 3 It shows the cabinet depth

It shows the complete plinth H = 100mm. If a 200mm high plinth is required, the code changes into ATZ2 (ATZ2-080060).

SINGLE PACKAGING

(the plinth can be pre-assembled to the structure in ETA).

in summary:

CODES FOR AN ASSEMBLED ARETA

1	ARETA - 082006PR	1 pc	} complete cabinet
2	ATPA - 080200	1 pc	
3	WTKB - 002	1 pc	
4	ATFI - 060200	1 pc	
5	ATZ1 - 080060	1 pc	

How to order a flat-pack ARETA cabinet

example

Cabinet dimensions 800 x 2000 x 600 (W x H x D) with blank front door and screwed rear panel, complete with mounting plate, lateral panels and plinth.

codes

ROOF/BOTTOM

ATTF - 0 8 0 0 6 0

1 2 3

- 1 Indicative code
- 2 It shows the width of the cabinet
- 3 It shows the depth of the cabinet

It shows roof and bottom pre-assembled.

Single packaging complete with mounting screws.

BLANK FRONT DOOR

ATPO - 0 8 0 2 0 0

1 2 3

- 1 Indicative code
- 2 It shows the width of the cabinet
- 3 It shows the height of the cabinet

It shows the blank door supplied with two uprights **complete with pre-assembled hinges and closing latches.**

If a glazed door is required, the code is ATPX-080200.

SINGLE PACKAGING.

REAR PANEL (SCREWED)

ATRE - 0 8 0 2 0 0

1 2 3

- 1 Indicative code
- 2 It shows the width of the cabinet
- 3 It shows the height of the cabinet

It shows the screwed rear panel supplied with two uprights **complete with pre-assembled blocks for fixing screws.**

SINGLE PACKAGING.

FRONT INSERTED MOUNTING PLATE

ATPA - 0 8 0 2 0 0

1 2 3

- 1 Indicative code
- 2 It shows the width of the cabinet
- 3 It shows the height of the cabinet

It shows a front inserted mounting plate. If a side inserted mounting plate is required, the code is ATPL-080200.

SINGLE PACKAGING.

WTKB - 002

Mounting accessories of ATPA mounting plate (to be ordered separately).

LATERAL PANELS

ATFI - 0 6 0 2 0 0

1 2 3

- 1 Indicative code
- 2 It shows the depth of the cabinet
- 3 It shows the height of the cabinet

It shows the couple of the lateral panels complete with mounting accessories.

SINGLE PACKAGING.

PLINTH

ATZ1 - 0 8 0 0 6 0

1 2 3

- 1 Indicative code
- 2 It shows the width of the cabinet
- 3 It shows the depth of the cabinet

It shows the complete plinth H = 100mm. If a 200mm high plinth is required, the code changes into ATZ2 (ATZ2-080060).

SINGLE PACKAGING.

in summary:

CODES FOR A FLAT-PACK ARETA

1	ATTF - 080060	1 pc	} complete cabinet
2	ATPO - 080200	1 pc	
3	ATRE - 080200	1 pc	
4	ATPA - 080200	1 pc	
5	WTKB- 002	1 pc	
6	ATFI - 060200	1 pc	
7	ATZ1 - 080060	1 pc	