



3-Phase Contact-free Switching



Power Thyristor

- **Fast electronic switching of 3-phase loads up to 75A, 600Vrms**

- **Millions of trouble-free operations**

- **Zero-switching and 4kV isolation**

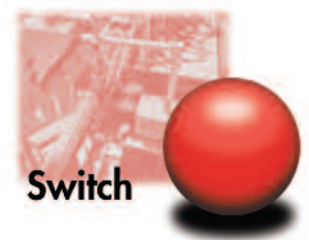
- **Touch protection cover**

- **Over-temperature protection alarm option**

- **Ideal replacement of contactors making frequent switching of heaters and motors**

- **UL, CSA approvals and CE marking**

- **Conformance to IEC61000-4-2, IEC61000-4-3, IEC61000-4-4, IEC61000-4-5, IEC61000-4-6, EN55011**

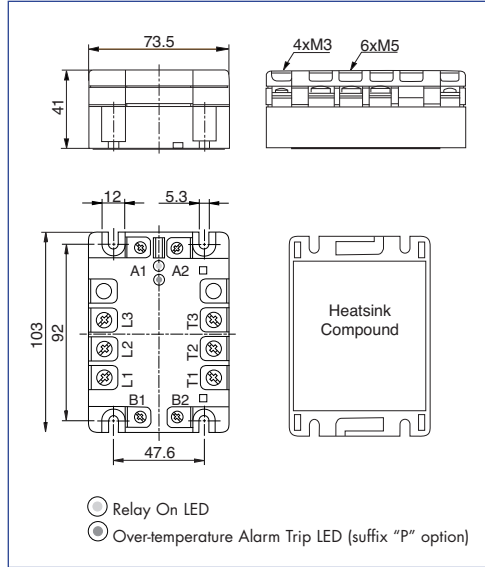


GENERAL INFO

Features	3-phase switching	
Load types	AC resistive and inductive	
Control input range	4-32 VDC [RZ3A..D.]	[RZ3A..ID.]
	5 VDC [RZ3A..ID.]	[RZ3A..A.]
	24-275 VAC/24-50 VDC [RZ3A..A.]	
Input current	≤23 mA [RZ3A..D.]	
	≤15 mA [RZ3A..ID.]	
	≤15 mA [RZ3A..A.]	
Rated Operational current	AC51 @ Ta = 25°C 25A / 55A / 75A	
	AC53a @ Ta = 25°C 5A / 15A / 20A	
Min. Operational Current	150, 250, 400 mArms	
Off-state leakage current	< 3 mA	
Operational voltage range	24-440 VAC [RZ3A40..]	
	42-660 VAC [RZ3A60..]	
Non. rep. peak voltage	850 Vp [RZ3A40..]	
	1200 Vp [RZ3A60..]	
Operating temperature	-30°C to +80°C	
Storage temperature	-40°C to +100°C	
Approvals	UL, CSA*	
CE Marking	Yes	
Touch Protection	IP10 (back-of-hand)	

For further details please view relevant datasheet on website www.carlogavazzi.com/ac

DIMENSIONS



REPRESENTATIONS

Carlo Gavazzi GmbH
Wien - AUSTRIA
Tel: +43 1 888 4112 Fax: +43 1 889 10 53
cg_at@attglobal.net

Carlo Gavazzi NV/SA
Vilvoorde - BELGIUM
Tel: +32 2 257 4120 Fax: +32 2 257 41 25
sales@carlogavazzi.be

Carlo Gavazzi Inc.
Mississauga, ON - CANADA
Tel: +1 905 542 0979 Fax: +1 905 542 22 48
Montreal, PQ - CANADA
Tel: +1 514 644 2544 Fax: +1 514 644 2808
gavazzi@carlogavazzi.com

Carlo Gavazzi Handel A/S
Hadsten - DENMARK
Tel: +45 86 60 6100 Fax: +45 86 98 15 30
handel@gavazzi.dk

Carlo Gavazzi OY AB
Helsinki - FINLAND
Tel: +358 9 756 2000 Fax: +358 9 756 20010
myynti@carlogavazzi.fi

Carlo Gavazzi Sarl
Roissy - FRANCE
Tel: +33 1 49 389860 Fax: +33 1 48 63 27 43
french.team@carlogavazzi.fr

Carlo Gavazzi GmbH
Weiterstadt - GERMANY
Tel: +49 6151 81000 Fax: +49 6151 81 00 40
kontakt@carlogavazzi.de

Carlo Gavazzi UK Ltd
Aldershot - GREAT BRITAIN
Tel: +44 1 252 339600 Fax: +44 1 252 326 799
sales@carlogavazzi.co.uk

Carlo Gavazzi SpA
Lainate (MI) - ITALY
Tel: +39 02 931 761 Fax: +39 02 931 763 01
info@gavazziacbu.it

Carlo Gavazzi Automation Sdn Bhd
Petaling Jaya, Selangor - MALAYSIA
Tel: +603 79 54 4005 Fax: +603 79 53 4224
sales@gavazzi-asia.com

Carlo Gavazzi BV
Beverwijk - NETHERLANDS
Tel: +31 251 22 9345 Fax: +31 251 22 60 55
www.carlogavazzi.nl

Carlo Gavazzi AS
Porsgrunn - NORWAY
Tel: +47 35 93 0800 Fax: +47 35 93 08 01
gavazzi@carlogavazzi.no

Carlo Gavazzi Lda
Lisboa - PORTUGAL
Tel: +351 21 361 7060 Fax: +351 21 362 13 73
carlogavazzi@mail.telepac.pt

Carlo Gavazzi SA
Leioa (Bizkaia) - SPAIN
Tel: +34 94 480 4037 Fax: +34 94 480 10 61
gavazzi@carlogavazzi-sa.es

Carlo Gavazzi AB
Karlstad - SWEDEN
Tel: +46 54 85 1125 Fax: +46 54 85 11 77
gavazzi@carlogavazzi.se

Carlo Gavazzi AG
Steinhausen - SWITZERLAND
Tel: +41 41 747 4535 Fax: +41 41 740 45 40
verkauf_vente@carlogavazzi.ch

Carlo Gavazzi Inc.
Buffalo Grove IL - USA
Tel: +1 847 465 6100 Fax: +1 847 465 7373
sales@carlogavazzi.com

For more information about Carlo Gavazzi and its
Automation Components
range please consult:
www.carlogavazzi.com/ac

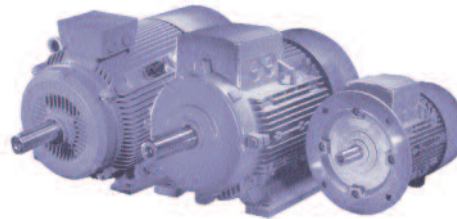
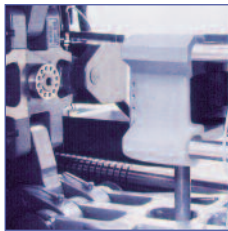
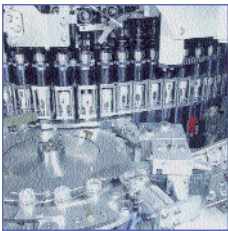
*CSA approval pending
Specifications are subject to change without notice

TYPE SELECTION

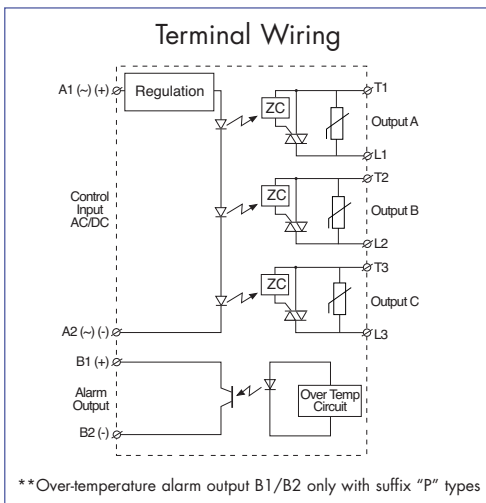
Line Voltage	Control Input	Operational Current Rating		
		3 x 25 A	3 x 55 A	3 x 75A
400V	5 VDC	RZ3A40LD25	RZ3A40LD55	RZ3A40LD75
	4-32 VDC	RZ3A40D25	RZ3A40D55	RZ3A40D75
	24-275 VAC/24-50 VDC	RZ3A40A25	RZ3A40A55	RZ3A40A75
600V	5 VDC	RZ3A60LD25	RZ3A60LD55	RZ3A60LD75
	4-32 VDC	RZ3A60D25	RZ3A60D55	RZ3A60D75
	24-275 VAC/24-50 VDC	RZ3A60A25	RZ3A60A55	RZ3A60A75

Notes:

Over-temperature protection and alarm output: add suffix "P" to include over-temperature protection and alarm output.
Example: RZ3A60D75P. Not available with "LD" type control.



CONNECTION DIAGRAMS



FAN ACCESSORY



For more information consult your local distributor

CARLO GAVAZZI
Automation Components

Distributed by:

