

Proximity Magnetic Sensors Rectangular Body, SP.B. series



- Block case
- Plastic body
- Side shielded
- Easy and fast mounting procedure

Product Description

The SP.B.2 and SP.B.2/2MT models are shielded laterally in order to reduce magnetic interferences when mounted side by side with other sensors.

The fixing by means of two nuts and washers, delivered with the sensor, give good reliability and greatly simplify the mounting procedure.

Ordering Key

SP.B.2

Type _____
 Output Function _____
 Reed Contact Type _____

Type Selection

Output Connection	Protection degree	Reference
Faston	IP 65	SP.B.2
Cable	IP 67	SP.B.2/2MT

General specification

Output function	Bistable
Case	Plastic
Protection degree	IP67 or IP65
Operating temperature	-25 to +75 °C

Electrical specifications

Contacts	2
Max switching voltage	250 Vac
Max switching current	3 A
Max switching power	100 VA

Operating distance

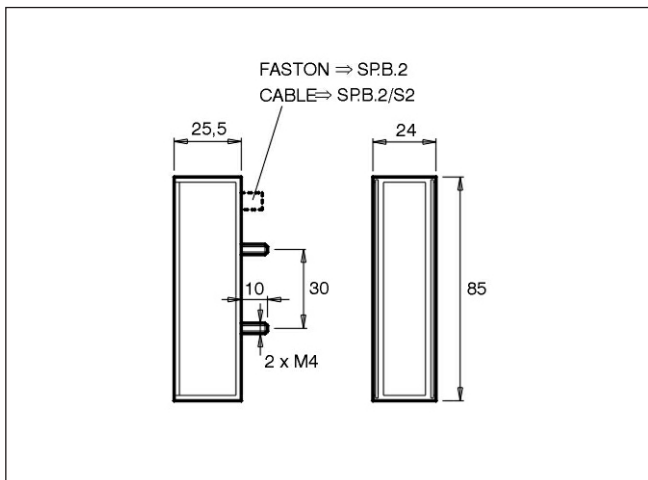
Magnetic Units	CL.2	CL.3	CL.4	CL.10	CL.11	CL.18	CL.20/S1	CL.20/S3	CL.23	CL.31
SP.B.2 SP.B.2 /2MT	5 **	15 **	30 **	15 ***	30 ***	14 ***	30 ***	29 ***	18 ***	28 ***

* Left: operating distance; right: closing contact distance.

** The magnetic unit must be installed perpendicular to the switch longitudinal axis.

*** The magnetic unit must be installed perpendicular to the switch upper surface.

Dimensions



Wiring Diagrams

