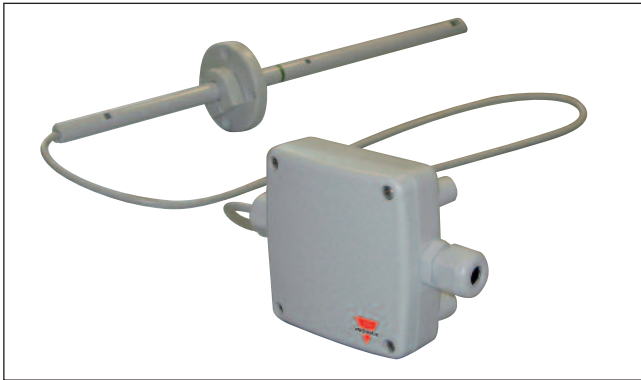


Environmental Sensors Air Velocity Transmitter



- Low angular dependence
- Easy installation
- Adjustable to application requirements
- HVAC applications
- Remote sensor probe
- Probe length 1m
- CE, RoHS

Product Description

The air velocity transmitter is ideal for accurate ventilation control applications. It operates on an innovative hot film anemometer principle. The thin film sensor guarantees very good accuracy at low air velocity,

which is not possible for conventional anemometers with commercial temperature sensors or NTC bead thermistors. Moreover, the sensor is much more insensitive to dust and dirty than all other anemometer principles. This

means high reliability and low maintenance costs. CGESAIRVEL is available with current or voltage output, the measuring range and the response time can be selected with jumpers by the user.

Low angular dependence enables easy, cost-effective installation.

Approvals



Ordering Key

CGESAIRVEL

Model _____

General Data

Power supply	SELV 24V AC/DC ± 20 % SELV = Safety Extra Low Voltage
Current consumption	AC supply max. 150mA DC supply max. 90mA
Angular dependence	<3% of measurement @ Δα <10°
Electromagnetic compatibility	EN 50081-1, EN 50082-1 EN 50082-2

Temperature range	
working temperature probe	-25...50°C / -13...122°F
working temperature electronic	-10...50°C / 14...122°F
storage temperature	-30...60°C / -22...140°F

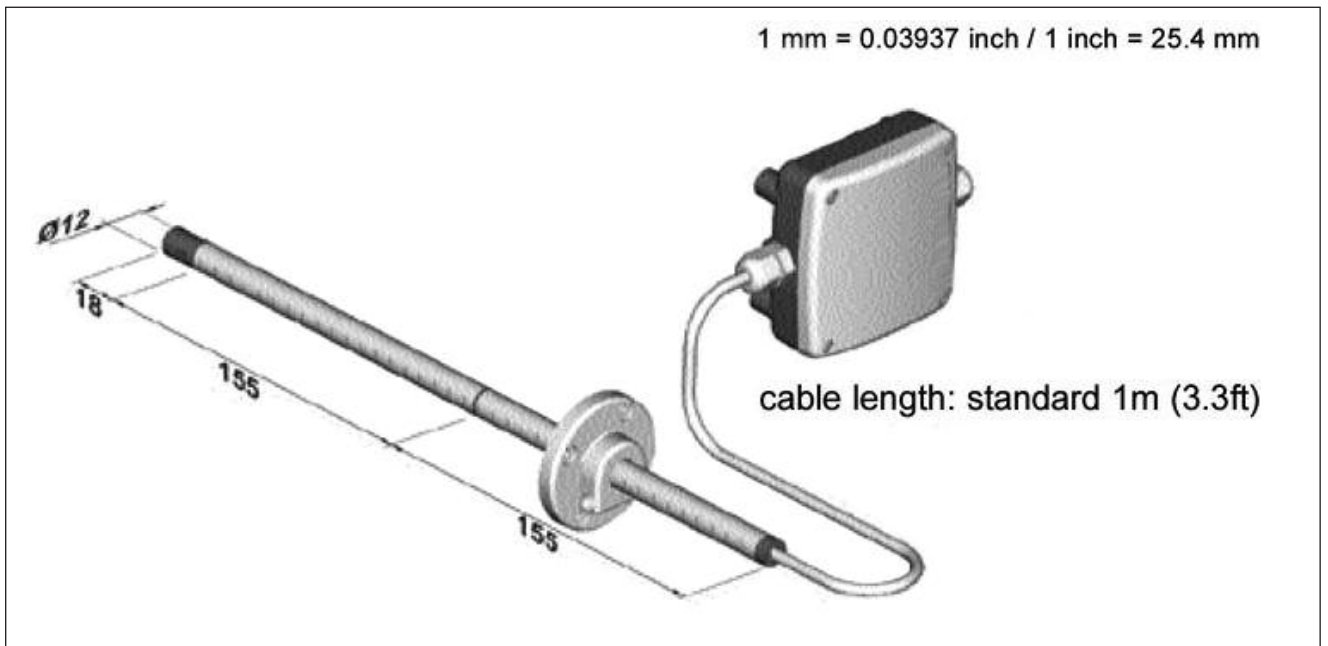
Measuring Values

Working range	0...10m/s (0...2000ft/min) 0...15m/s (0...3000ft/min) 0...20m/s (0...4000ft/min)
Output 0...10m/s / 0...15m/s / 0...20m/s	0-10V 4-20mA -1mA <I_L<1mA R_L < 450Ω
Accuracy @ 20°C/68°F, 45%RH and 1013hPa	0.2...10m/s (40...2000ft/min) ±(0.2m/s / 40ft/min +3% of m.v.) 0.2...15m/s (40...3000ft/min) ±(0.2m/s / 40ft/min +3% of m.v.) 0.2...20m/s (40...4000ft/min) ±(0.2m/s / 40ft/min +3% of m.v.)
Response time τ90	typ. 4s or typ. 0.2s (@ constant temperature)

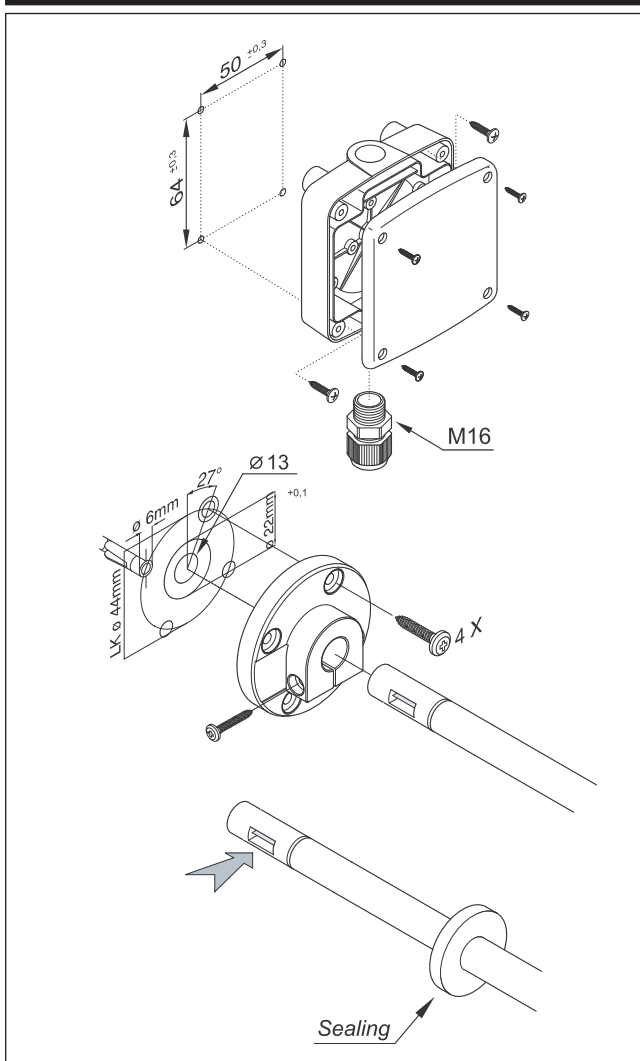
Mechanical Data

Housing/Protecting Class	Polycarbonat/IP65, Nema 4
Electrical connection	Screw terminals max. 1.5mm² (AWG 16)
Cable Gland	M16x1.5 cable Ø4.5-10mm (0.18-0.39")
Cable Length	1m / 3.3ft

Dimensions



Mounting



Connection Diagram

