

# Transmitter with 4 Inputs Type 8118



- Grey plast cylindrical
- M18 housing
- Supplied by Dupline®
- 0.3 m cable
- Channel coding by GAP 1605 with ADAPT 1605
- 4 contact inputs
- High protection on IP68

## Product Description

Non powered Dupline® 4 Available in M18 plast hous-  
channel transmitter. ing.

## Type Selection

Supply	Ordering no.
By Dupline®	8118

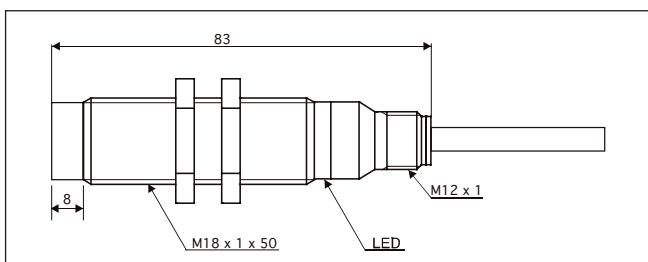
## Input Specifications

Input	4 contact
I1	White
I2	Green
I3	Yellow
I4	Pink
Com	Blue
<b>Response time</b>	≤ 1 pulse train

## Supply Specifications

Power Supply	Supplied by Dupline®
Rated polarity protection	Yes
Current consumption	≤ 550 µA

## Dimensions (mm)



## Ordering Key

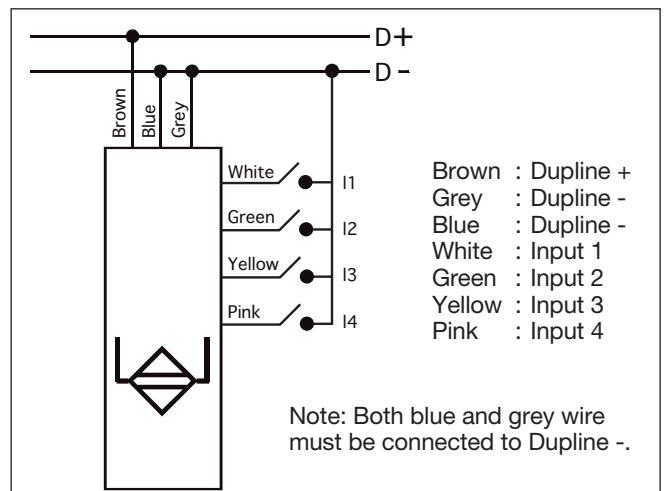
**8118**

Type: spec. \_\_\_\_\_  
Housing \_\_\_\_\_

## General Specifications

<b>Mechanical resistance</b>	
Shock	15 G (11 mS)
Vibration	2 G (6 to 55 Hz)
<b>Tightening torque (Mv)</b>	2.6 Nm
<b>Environment</b>	
Degree of protection	IP 68 The IP 68 is based on the following test conditions: Water level: 3 m Test period: 48 hours 3 (IEC 664)
Pollution degree	
Operating temperature	-20° to +50°C (-4° to +122°F)
Storage temperature	-20° to +70°C (-4° to +158°F)
<b>Connection</b>	
Cable	0.3 m, 7 x 0.5, grey PVC
<b>Housing</b>	
Material	M18 x 1 x 50 Polyester

## Wiring Diagram



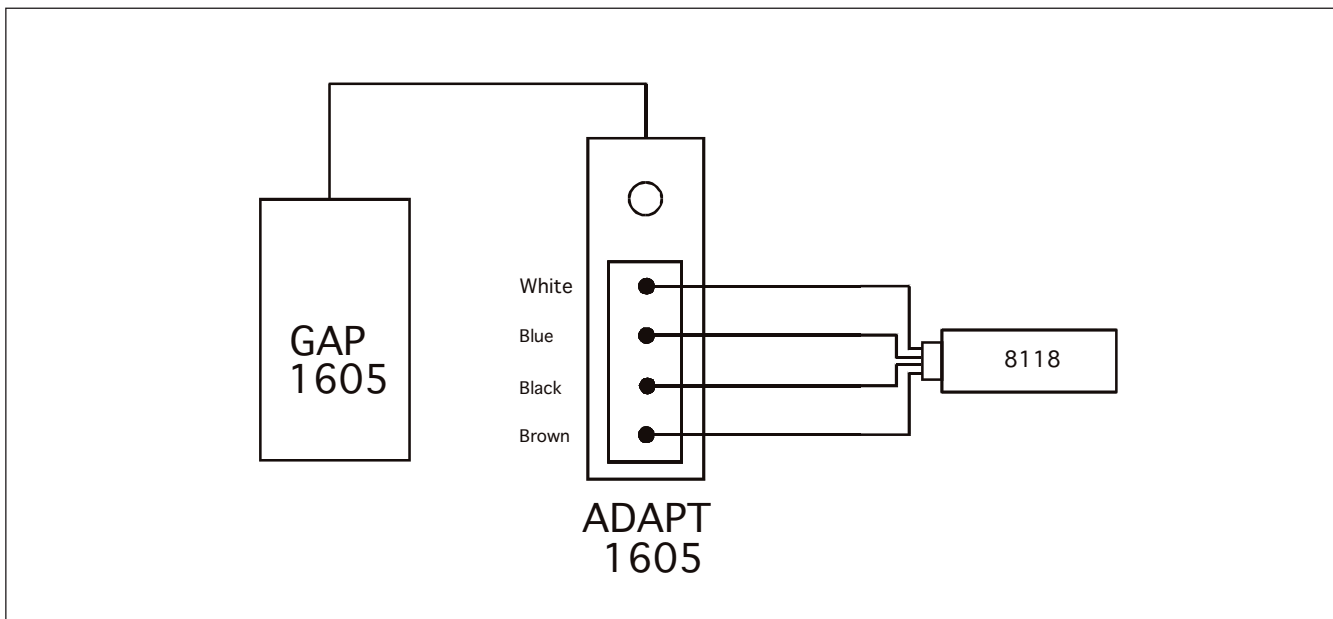
## Mode of Operation

8118 is a 4 channel Dupline® transmitter with 4 contact inputs for applications with very high humidity. If one or more of the inputs are activated, transmission to the respective channel is activated.  
8155 has inverted function on the inputs.

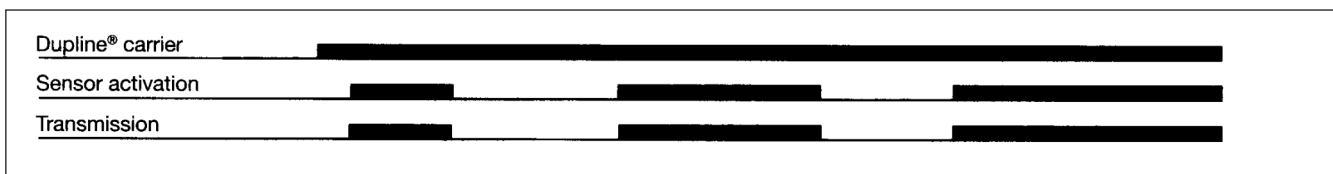
**Note**  
After programming, the blue and grey wire must be connected to Dupline -.

It is necessary to use the wire adapter box: ADAPT 1605, along with GAP 1605 to program the channels.

## Channel Programming



## Operating Diagram



## Accessories

ADAPT 1605