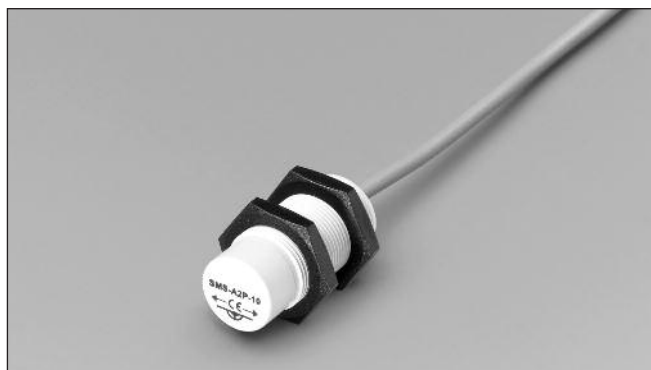


# Safety Magnetic Sensors

## Cylindrical safety magnetic sensors

### SMSA2P10

CARLO GAVAZZI



- Safety Category 3 according to EN 954-1
- 1 NO output
- Cable output connection
- Cylindrical housing
- Multiple flux coding

### Product Description

The SMS-A2P-10 is designed in conformity with EN 292-1, EN 292-2, EN 60204-1, EN 954-1 and EN

1088. It is characterized by multiple flux coding and is suited for applications up safety Category 3.

### Ordering Key

**SMS A2 P 10**

Safety magnetic sensor \_\_\_\_\_  
 Diameter \_\_\_\_\_  
 Case material \_\_\_\_\_  
 Contact type \_\_\_\_\_

### Type Selection

Output	Operating distance	Safety category	Item code	Item code (UL)
1 NO	16 mm	3	SMS A2 P 10	SMS 2P AM 02M

### Output Specifications

Output	Category 3 (EN 954-1) 1 NO
Output connection	Cable (PVC, AWG 26, L=2m 4x0,15 mm <sup>2</sup> )
Contact ratings	100 VAC 0,25 A 5 VA
Max switching voltage	
Max switching current	
Max switching power	

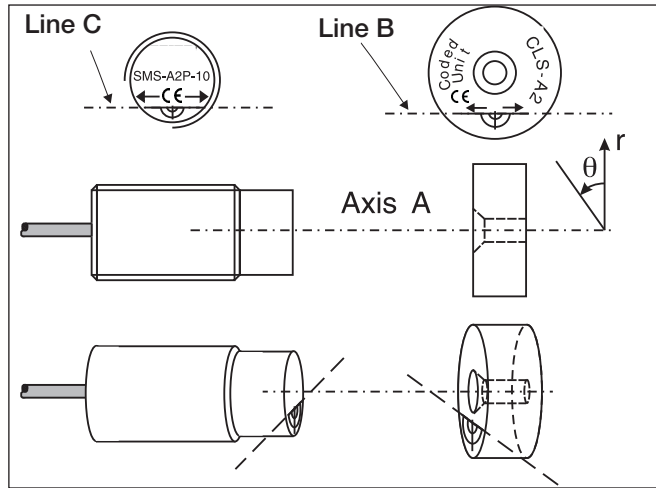
### General Specifications

Operating distance ON	16 ± 4 mm
Release distance OFF	20 ± 6 mm
Reset distance	20 ± 6 mm
Suitable magnetic unit	CLSA2
Misalignment	max ± 4 mm
Housing	
Dimensions	M18x1
Material	Plastic
Weight	Approx. 70 g
Environment	
Degree of protection	IP 67
Operating temperature	-25 ÷ +70 °C
Storage temperature	-25 ÷ +70 °C

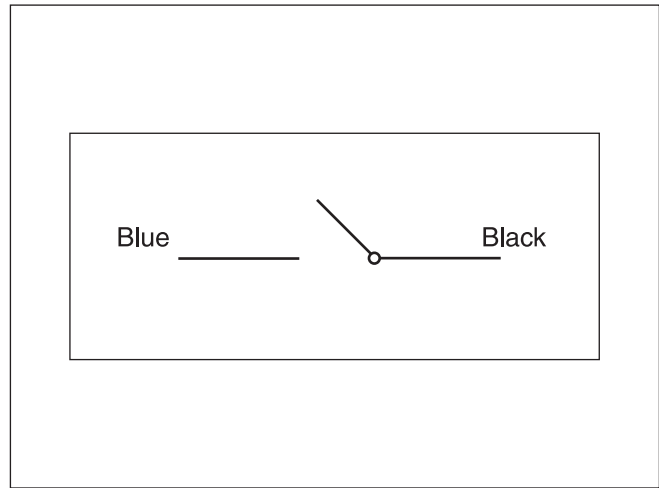
8

Safety Magnetic Sensors

### Operating Directions



### Wiring Diagrams



### Dimensions

