

# Solid State Relays

## Accessories

### Types RP...M1: DIN EN Mounting Interface Module



- PCB mounted AC Solid State Relay with DIN EN rail adaptor
- LED indication
- DC control input
- Width: 12.5 mm
- Adaptor suitable for rail types DIN EN 50022 and DIN EN 50035
- IP 20 Protection

### Product Description

The DIN adaptor base houses the circuit of the interface module. The device includes input and output terminals and a user selected PCB Solid State Relay. The interface has

built-in LED status indication for control input. The module is an ideal interface between PLC or other logic controls and the AC load.

### Ordering Key

**RP1A23D5 M1**

PCB Solid State Relay \_\_\_\_\_  
 Interface Module \_\_\_\_\_  
 Number of relay units \_\_\_\_\_

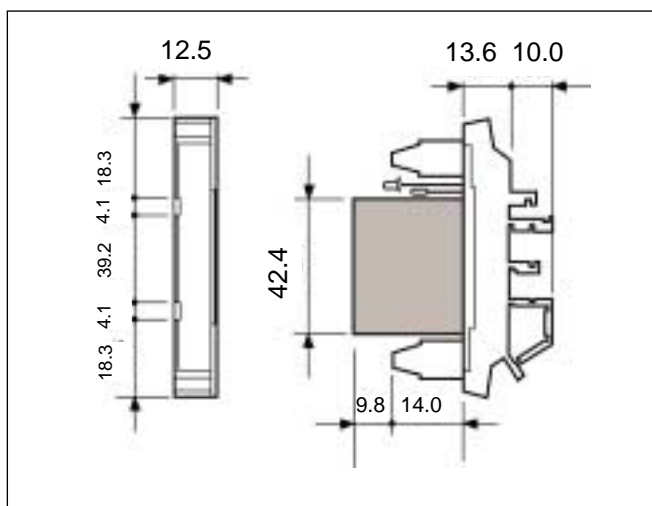
### General Specifications

Operational voltage	250 VAC
Operational current	5 A eff.
Control voltage	Refer to PCB SSR Datasheet
Operating temperature	-20° to +70°C (-4° to 158°F)

### Housing Specifications

Weight of module base	Approx. 14 g
Weight of module base with PCB Solid State Relay	Approx. 35 g
Module base material	Polyamide 6.6, self-extinguishing UL 94 V-0
Module Colour	Green
Control terminal	
Mounting screws	M 3
Mounting torque	≤ 0.5 Nm
Power terminal	
Mounting screws	M 3
Mounting torque	≤ 0.5 Nm
Max. wire sections	
Stranded wire	2.5 mm <sup>2</sup> (13AWG)
Rigid wire	4.0 mm <sup>2</sup> (11AWG)

### Dimensions



### Wiring Diagram

