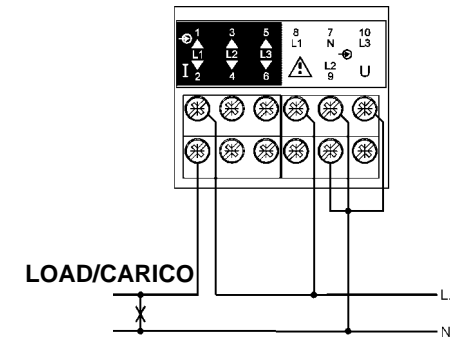
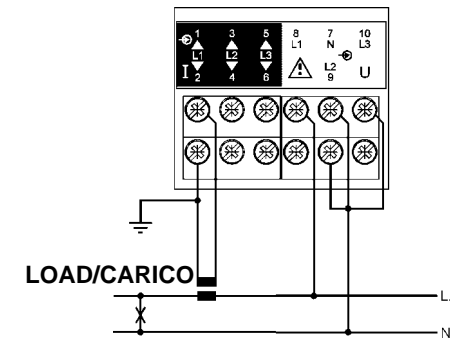


**Single-phase input connections /  
Collegamenti ingresso monofase**

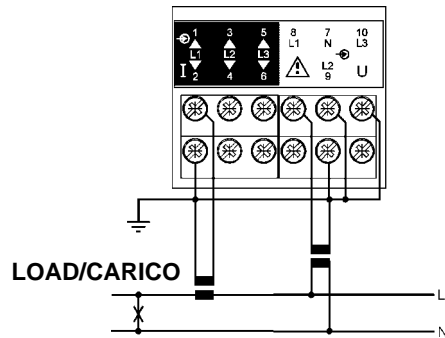
***Direct connection /  
Collegamento diretto***



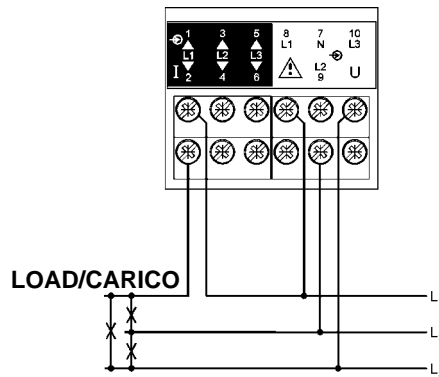
***CT connection /  
Collegamento a TA***



**CT and VT connections /  
Collegamenti a TA e a TV**

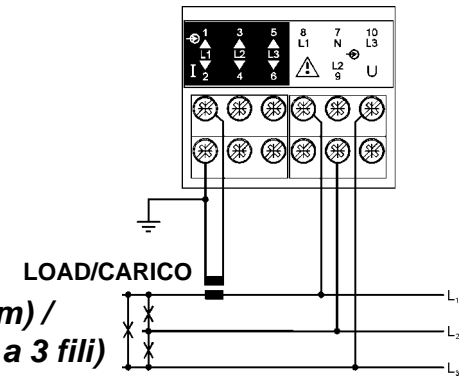


**Three-phase input connections - balanced load /  
Collegamenti ingresso trifase - carico equilibrato**

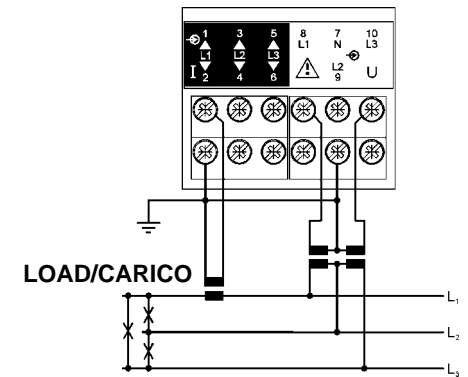


**Direct connection  
(3-wire system) /  
Collegamento diretto  
(sistema a 3 fili)**

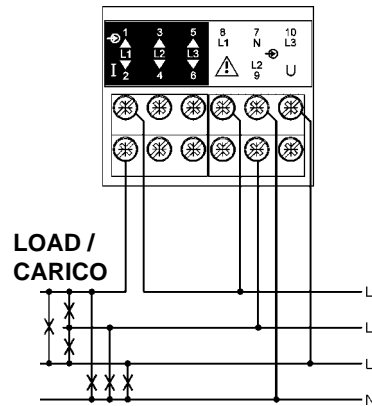
**CT connection (3-wire system) /  
Collegamento a TA (sistema a 3 fili)**



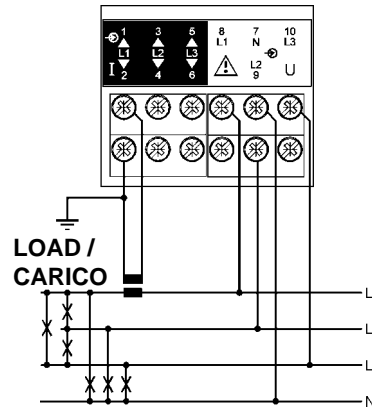
**CT and VT connections  
(3-wire system) /  
Collegamenti a TA e a TV  
(sistema a 3 fili)**



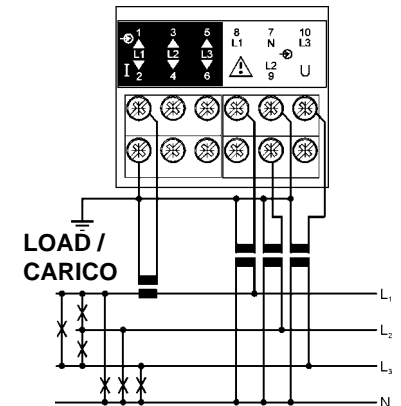
**Direct connection  
(4-wire system) /  
Collegamento diretto  
(sistema a 4 fili)**



**CT connection  
(4-wire system) /  
Collegamento a TA  
(sistema a 4 fili)**

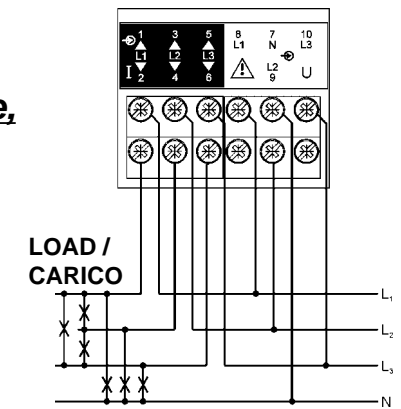


**CT and VT connections  
(4-wire system) /  
Collegamenti a TA e a TV  
(sistema a 4 fili)**

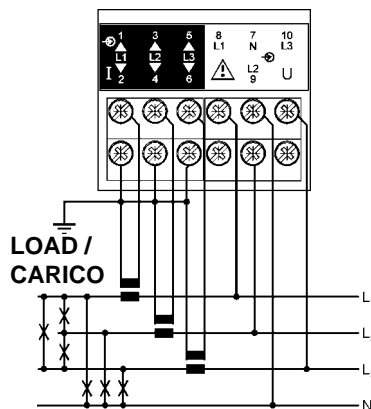


**3-phase input connections,  
4 wires - Unbalanced load /  
Collegamenti ingresso trifase,  
4 fili - Carico squilibrato**

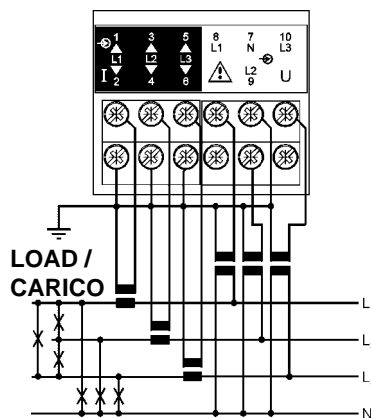
**Direct connection  
(4-wire system) /  
Collegamento diretto  
(sistema a 4 fili)**



**CT connection  
(4-wire system) /  
Collegamento a TA  
(sistema 4 fili)**

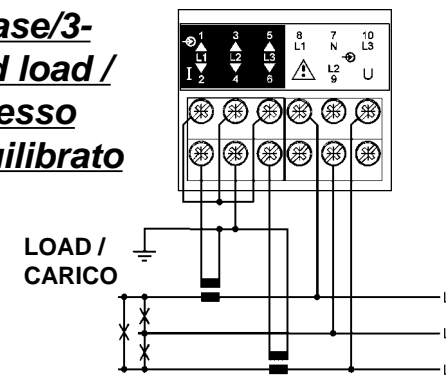


**CT and VT connections  
(4-wire system) /  
Collegamenti a TA e a TV  
(sistema 4 fili)**



**ARON connections, 3-phase/3-  
wire system - Unbalanced load /  
Collegamenti ARON, ingresso  
trifase a 3 fili - Carico squilibrato**

**CT connection  
(3-wire system) /  
Collegamento a TA  
(sistema a 3 fili)**



**CT and VT connections  
(3-wire system) /  
Collegamenti a TA e a TV  
(sistema a 3 fili)**

