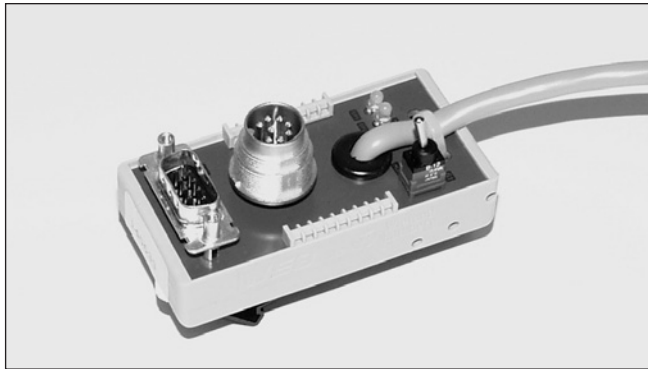


Ultrasonic Programming Adapter Type UC P1



- Interfaces programmable ultrasonic sensors to laptop (RS 232)
- Surveillance of set points
- To be inserted between sensor and installation cable
- Supplied by installation
- LED indication of switching outputs
- Hold mode
- For DIN-rail mounting

Product Description

Programming adapter for the ultrasonic programmable family. The adapter enables an easy access to the RS232 interface of an installed sensor. The adapter has to be

connected between the sensor and the sensor connection. A subMiniD9 connector enables the sensor to be programmed by the PC.

Ordering Key



Ultrasonic sensor
Housing style
Programming adapter

Type Selection

Housing dimensions	Connection
38.5 x 80.5 mm	D-Sub, 9-poles and sensor plug, 8 pin
38.5 x 80.5 mm	D-Sub, 9-poles and sensor plug, 8 pin

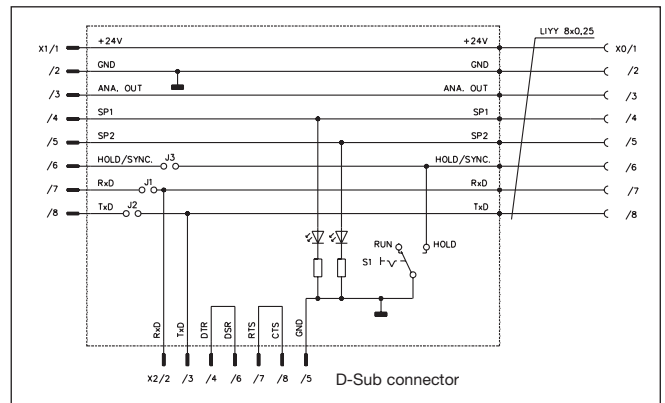
Ordering no.

UCP1
UCP2 Sub-D cable included

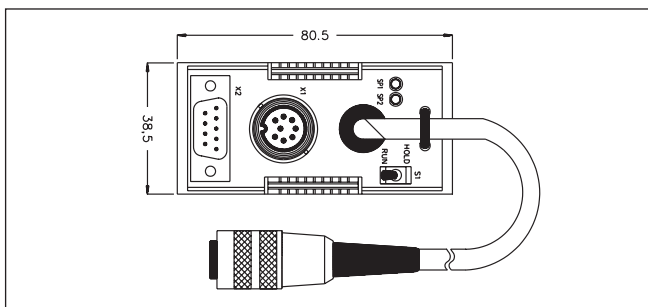
Specifications

Rated operational volt. (U _e)	24 VDC Supplied from installation
Indication Status of set points	2 LED's
Hold mode	Switch selectable
Ambient temperature Operating Storage	0° to +50°C (32° to +122°F) 0° to +70°C (32° to +158°F)
Housing material	Plastic
Housing dimensions	38.5 x 80.5 mm
Connection	9-pole D-Sub (RS232) and 8-pole sensor plug

Wiring Diagram



Dimensions



Accessories

USB serial converter: RS-232-USB-CON