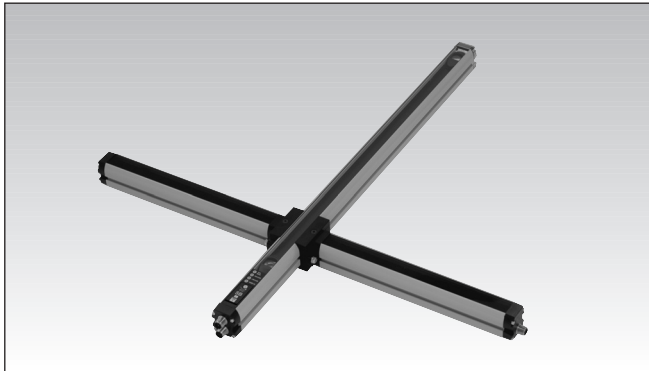


# Safety Light Curtains SB4-T/L/S Series

CARLO GAVAZZI



- Safety Category 4 according to EN 61496-1 and /-2
- Integrated muting sensors
- Self-monitoring
- Failure alarm / diagnosis by LED
- Adjustable muting arms
- Quick installation and alignment
- Compact profile
- Approvals:



## Product Description

Safety category 4 light curtains, according to EN 61496-1 /-2.

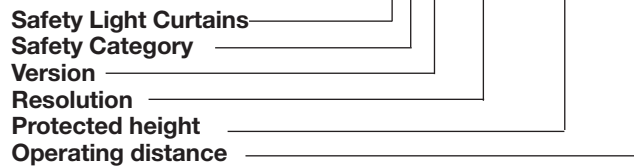
The SB4-T/L/S series, are optoelectronic multibeam devices that can be used to protect working area around machines, robots, and automatic systems which can become dangerous for operators that get in touch, even accidentally, with moving parts.

The SB4-T/L/S series satisfy all applications that require the Muting function thanks to pre-assembled, pre-cabled and pre-aligned Muting sensors.

T-shaped models are available with integrated sensors for bidirectional Muting, L-shaped models for unidirectional Muting and linear models without integrated Muting sensors.

## Ordering Key

**SB4T-415/815-D3**



## Type Selection

Protected height	Resolution (mm)	Number of beams	Operating distance (m)	Muting sensors	Ordering no.
515	515	2	0,5....3	integr. bidirectional	SB4T-515/515-D3
815	415	3	0,5....3	integr. bidirectional	SB4T-415/815-D3
415	515	2	0,5....3	integr.unidirectional	SB4L-515/515-D3
815	415	3	0,5....3	integr. unidirectional	SB4L-415/815-D3
415	515	2	0,5....25	external	SB4S-515/515-D25
815	415	3	0,5....25	external	SB4S-415/815-D25

## General Specifications

Safety category	type 4	Auxiliary functions	Muting, Override, EDM, Auto/Manual reset
Operating distance	See type selection tab.	Response time	14 ms

## Electrical Specifications

Power supply	24 Vdc $\pm$ 20%	Light emission	Infrared (880 nm)
Emitter consumption	70 mA max	Output function	2 PNP
Receiver consumption	100 mA max	Output current	0.5 A max (single output)

## Environmental Specifications

Operating temperature

-10 ÷ + 55°C

Storage temperature

-25 ÷ + 70°C

## Mechanical Specifications

Receiver connection

M 12 8-poles + m 12-5 poles connector  
Standard cable length  
3, 5 or 10 m

Protection degree

IP 65

Housing material

Painted aluminium  
(yellow Ral 1003)

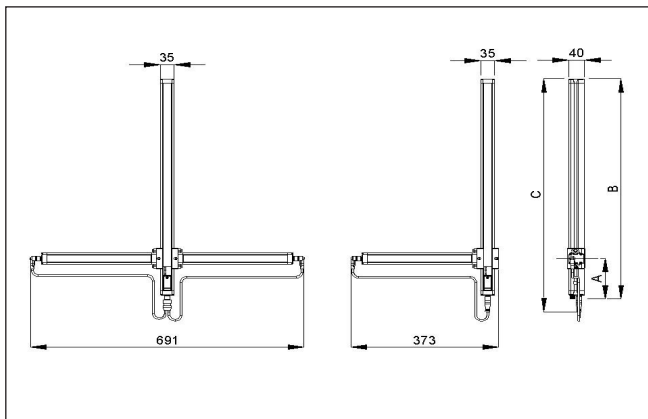
Emitter connection

M 12 4-poles connector  
Standard cable length  
3, 5 or 10 m

Weight

1.2 Kg max/m of total height

## Dimensions



MODEL	A (mm)	B (mm)	C (mm)
SB4T-515/515-D3	120...260	653	690
SB4T-415/815-D3	120...260	953	990
SB4L-515/515-D3	120...260	653	690
SB4L-415/815-D3	120...260	953	990
SB4S-515/515-D25	-	653	690
SB4S-415/815-D25	-	953	990

## Wiring Diagrams

