

# Safety Light Curtains

## Hand resolution SB4M-30 Series

CARLO GAVAZZI



- Safety Category 4
- Resolution 30 mm (hand)
- Protected height 180-1650 mm
- External Device Monitoring (EDM)
- Fixed Blanking and Floating Blanking
- Cascade configuration
- Auto/Manual restart selectable
- Status/failure diagnosis by LED's
- Easy alignment and installation
- Compact profile
- Approvals: TÜV, cULus

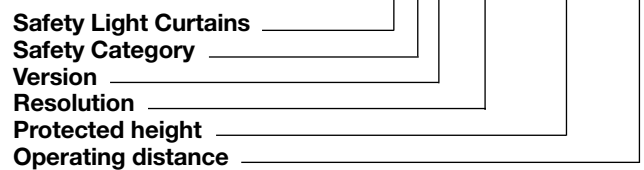
### Product Description

Safety category 4 light curtains according to IEC 61496-1 and IEC 61496-2. The SB4M-30 series is featured by hand resolution and is provided with External Device Monitoring which allows to utilize these light curtains without external safety control unit. The Blanking function - Fixed or Floating mode selectable - is used in those

applications where material passage or mechanical obstacle presence must not cause machine interruption. The cascade connection allows to combine the functioning of two light curtains-master and slave- placed in different positions. The dip-switches placed in the slot provided in the receiving unit allow quick and safe configuration.

### Ordering Key

**SB4M-30/180-D15**



### Type Selection

Protected height	Overall height (mm)	Number of beams	Response time (ms) (Master)	Ordering no. Master	Ordering no. Slave
180	256	8	16	SB4M-30/180-D15	SB4N-30/180-D15
327	403	16	20	SB4M-30/327-D15	SB4N-30/327-D15
474	550	24	23	SB4M-30/474-D15	SB4N-30/474-D15
621	697	32	25	SB4M-30/621-D15	SB4N-30/621-D15
768	844	40	27	SB4M-30/768-D15	SB4N-30/768-D15
915	991	48	30	SB4M-30/915-D15	SB4N-30/915-D15
1062	1138	56	32	SB4M-30/1062-D15	SB4N-30/1062-D15
1209	1285	64	35	SB4M-30/1209-D15	SB4N-30/1209-D15
1356	1432	72	38	SB4M-30/1356-D15	SB4N-30/1356-D15
1503	1579	80	40	SB4M-30/1503-D15	SB4N-30/1503-D15
1650	1726	88	43	SB4M-30/1650-D15	SB4N-30/1650-D156

### General Specifications

Safety category	type 4	Functions (Master unit)	EDM, fixed / floating BLANKING, CASCADE Automatic/manual restart
Operating distance	0,2.....15 m		
Resolution	30 mm		

### Electrical Specifications

Power supply	24 Vdc $\pm$ 20%	Light emission	Infrared (880 nm)
Emitter consumption	55 mA max	Output function	2 PNP
Receiver consumption	125 mA max ( no load)	Output current	0.5 A max (single output)



## Environmental Specifications

Operating temperature

-10 ÷ + 55°C

Storage temperature

-25 ÷ + 70°C

## Mechanical Specifications

Receiver connection

M12 8-poles Standard cable length 3, 5 or 10 m

Protection degree

IP 65

Emitter connection

M12 4-poles Standard cable length 3, 5 or 10 m

Housing material

Painted aluminium (yellow Ral 1003)

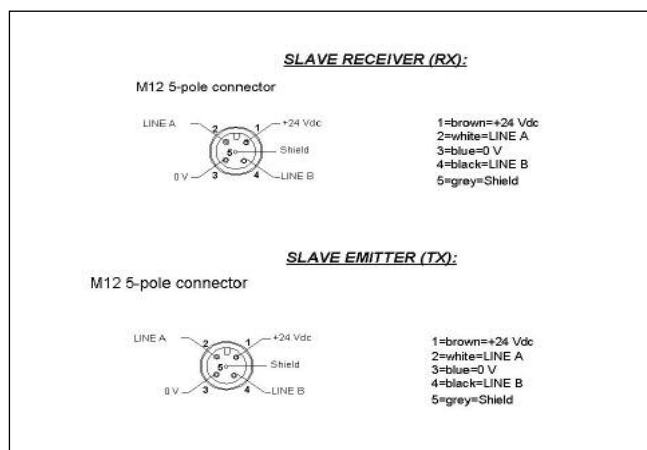
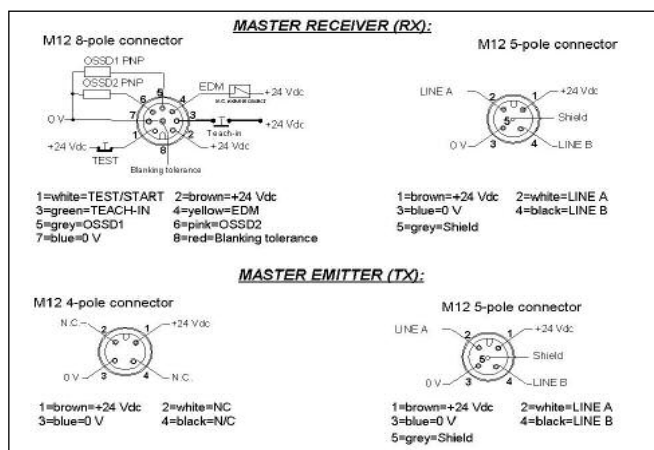
Master/Slave connection

M12 5-poles Standard cable length 0,5 m (included in slave unit package)

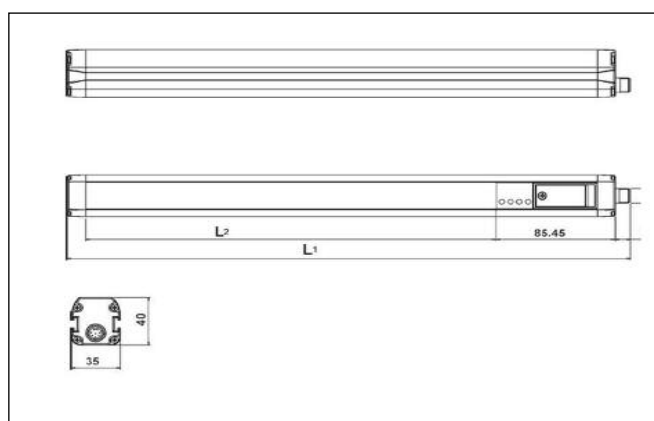
Weight

1.2 Kg max/m of total height

## Wiring Diagrams



## Dimensions



MODELL	L1 (mm)	L2 (mm)
SB4y-30/180-D15	256	147
SB4y-30/327-D15	403	294
SB4y-30/474-D15	550	441
SB4y-30/621-D15	697	588
SB4y-30/768-D15	844	735
SB4y-30/915-D15	991	882
SB4y-30/1062-D15	1138	1029
SB4y-30/1208-D15	1285	1176
SB4y-30/1356-D15	1432	1323
SB4y-30/1503-D15	1579	1470
SB4y-30/1650-D15	1726	1617

y = EDW Blanking/Cascade versions