

Safety Light Curtains

Hand resolution SB4B-30 Series



- Safety Category 4
- Resolution 30 mm (hand)
- Protected height 180-1650 mm
- External Device Monitoring (EDM)
- Fixed Blanking and Floating Blanking
- Auto/Manual restart selectable
- Status/failure diagnosis by LED's
- Easy alignment and installation
- Compact profile
- Approvals: TÜV, cULus

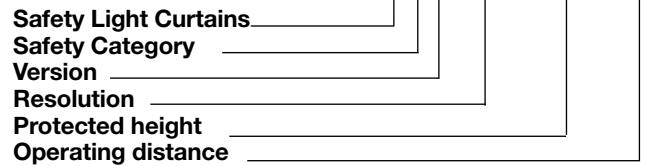
Product Description

Safety category 4 light curtains according to IEC 61496-1 and IEC 61496-2. The SB4B-30 series is featured by hand resolution and is provided with External Device Monitoring which allows to utilize these light curtains without external safety control unit. The Blanking function -

Fixed or Floating mode selectable - is used in those applications where material passage or mechanical obstacle presence must not cause machine interruption. The dip-switches placed in the slot provided in the receiving unit allow quick and safe configuration.

Ordering Key

SB4B-30/180-D15



Type Selection

Protected height	Overall height (mm)	Number of beams	Response time (ms)	Ordering no.
180	256	8	16	SB4B-30/180-D15
327	403	16	20	SB4B-30/327-D15
474	550	24	23	SB4B-30/474-D15
621	697	32	25	SB4B-30/621-D15
768	844	40	27	SB4B-30/768-D15
915	991	48	30	SB4B-30/915-D15
1062	113	56	32	SB4B-30/1062-D15
1209	1285	64	35	SB4B-30/1209-D15
1356	1432	72	38	SB4B-30/1356-D15
1503	1579	80	40	SB4B-30/1503-D15
1650	1726	88	43	SB4B-30/1650-D15

General Specifications

Safety category	type 4	Functions	EDM, fixed/floating BLANKING, automatic /manual restart
Operating distance	0,2.....15 m		
Resolution	30 mm		

Electrical Specifications

Power supply	24 Vdc ± 20%	Light emission	Infrared (880 nm)
Emitter consumption	55 mA max	Output function	2 PNP
Receiver consumption	125 mA max (no load)	Output current	0.5 A max (single output)

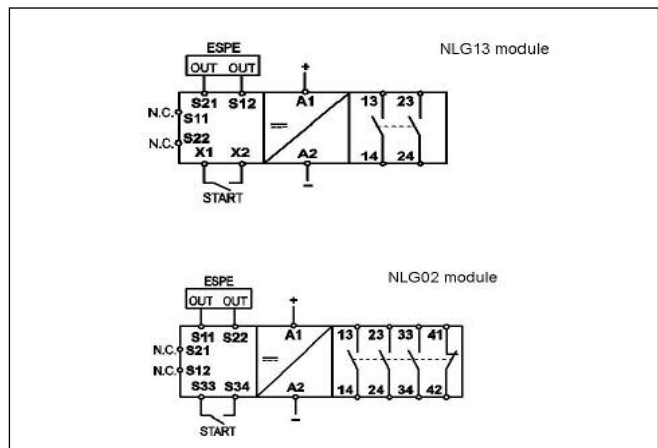
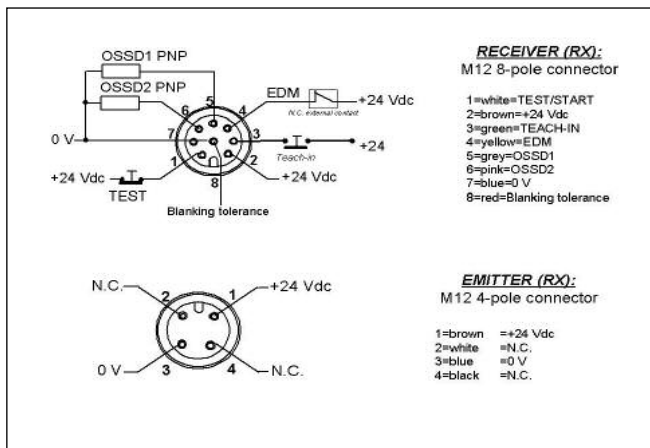
Environmental Specifications

Operating temperature	-10 ÷ + 55°C	Storage temperature	-25 ÷ + 70°C
-----------------------	--------------	---------------------	--------------

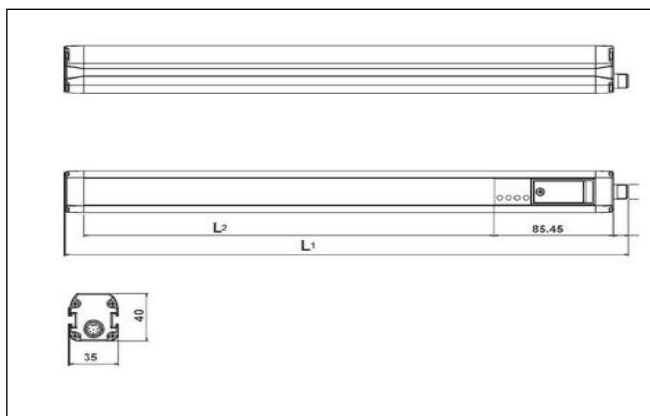
Mechanical Specifications

Receiver connection	M 12 8-poles poles Standard cable length 3, 5 or 10 m	Protection degree	IP 65
Emitter connection	M 12 4-poles connector Standard cable length 3, 5 or 10 m	Housing material	Painted aluminium (yellow Ral 1003)
		Weight	1.2 Kg max/m of total height

Wiring Diagrams



Dimensions



MODELL	L1 (mm)	L2 (mm)
SB4y-30/180-D15	256	147
SB4y-30/327-D15	403	294
SB4y-30/474-D15	550	441
SB4y-30/621-D15	697	589
SB4y-30/768-D15	844	735
SB4y-30/915-D15	991	882
SB4y-30/1062-D15	1138	1029
SB4y-30/1209-D15	1285	1176
SB4y-30/1356-D15	1432	1323
SB4y-30/1503-D15	1579	1470
SB4y-30/1650-D15	1726	1617

y = EDM/Blanking/Cascade versions