

General Accessories

Sockets

Types S, D, ZPD, ZVD

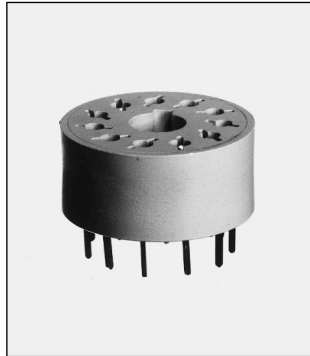


Socket types S 008, S 011
For mounting on printed circuits.

S 008
8-pole circular socket.

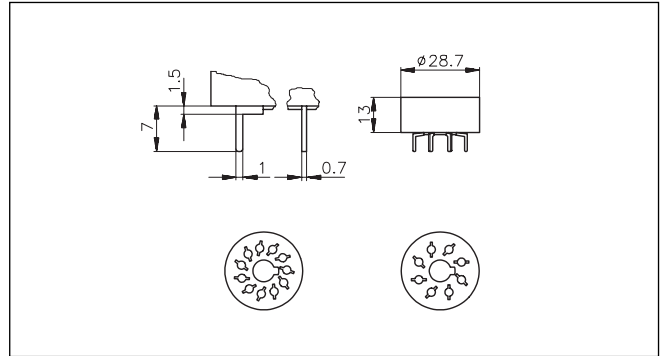


S 011
11-pole circular socket.



Material
Colour
Material of spring
Printed circuit hole diameter
Approvals

Glasfilled Noryl SE 1
Light grey
Tin-plated brass
Min. 1.5 mm
UL, CSA, SEV



Socket types S 108, S 111
For mounting on or below a chassis with soldering and plug connections (AMP 187).

S 108
8-pole circular socket.

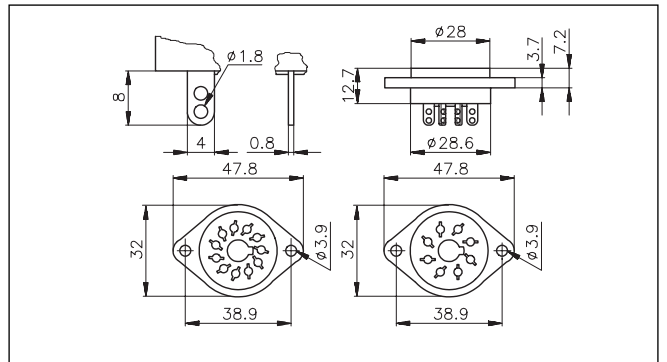


S 111
11-pole circular socket.



Material
Colour
Material of spring
Approvals

Glasfilled Noryl SE 1
Light grey
Tin-plated brass
UL, CSA, SEV



Socket types S 108 A, S 111 A
For mounting on or below a chassis or printed circuits.

S 108 A
8-pole circular socket.

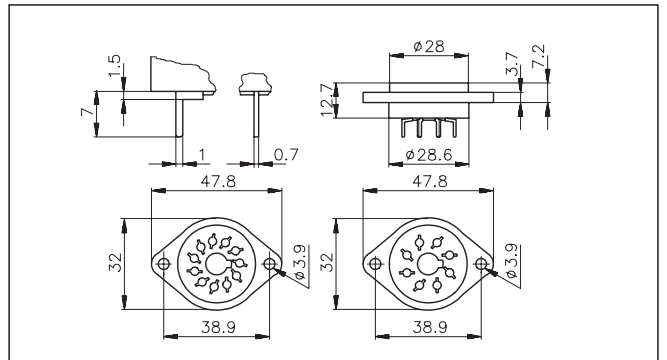


S 111 A
11-pole circular socket.



Material
Colour
Material of spring
Approvals

Glasfilled Noryl SE 1
Light grey
Tin-plated brass
UL, CSA, SEV



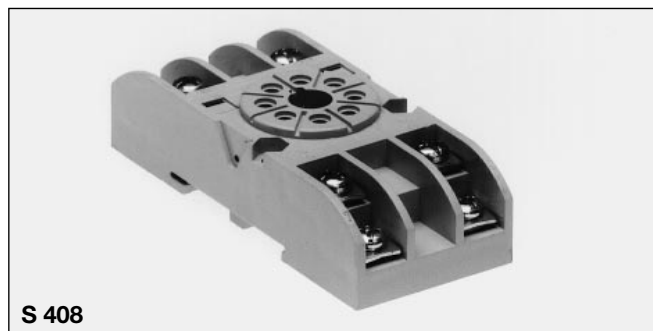
Sockets (cont.)

Socket types S 408, S 411

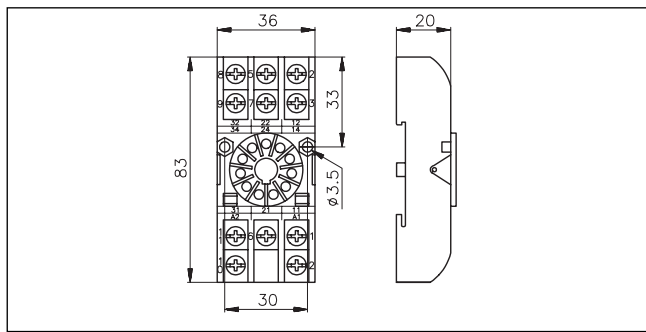
Socket with front screw connections. For mounting by two front screws or for snap-mounting on DIN-rail (DIN EN 50 022). With captive cable clamps and cross-cut terminal screws. For devices with circular plugs.

Text markers, type no. tags: e.g. Weidmüller type SG 10

S 408 8-pole circular socket. **S 411** 11-pole circular socket.



Rating 10 A/250 VAC (IEC 664)
Installation/pollution deg. Cat. III/2
Degree of protection IP 10 (IEC 529)
Material
 Socket Light grey, Noryl SE1
 Contact spring Tin-plated brass
 DIN-rail retaining spring Stainless steel wire
Approvals UL, CSA, SEV

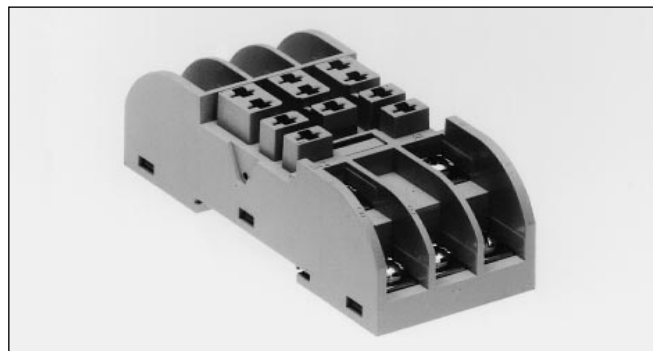


Socket type D 411 B

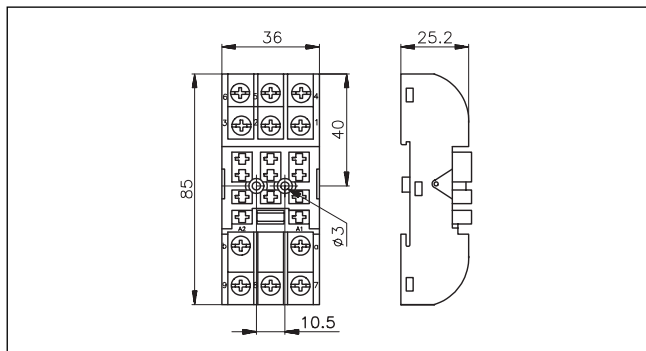
Socket with front screw connections. For mounting by two front screws or for snap-mounting on DIN-rail (DIN EN 50 022). With captive cable clamps and cross-cut terminal screws. For devices with spade plugs (4.8 x 0.5 mm).

Text markers, type no. tags: e.g. Weidmüller type SG 10

D 411 B 11-pole spade socket.



Rating 10 A/250 VAC (IEC 664)
Installation/pollution deg. Cat. III/3
Degree of protection IP 10 (IEC 529)
Material
 Socket Black, Noryl SE1
 Contact spring Tin-plated brass
 DIN-rail retaining spring Stainless steel wire
Approvals UL, CSA, SEV



Socket types ZPD 8, ZPD 11,

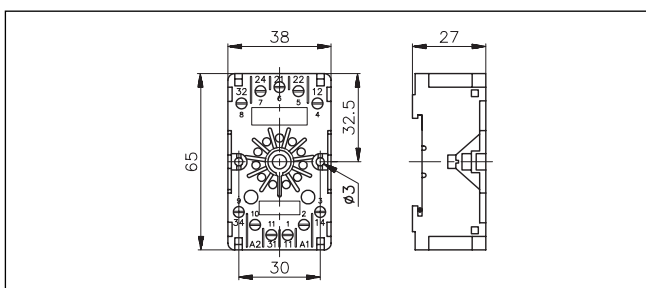
Socket for mounting on DIN-rail (DIN EN 50 022). Text markers, type no. tags: e.g. Weidmüller type SG 10

ZPD 8 8-pole circular socket.

ZPD 11 11-pole circular socket.



Rating 10 A/300 VAC (IEC 664)
Installation/pollution deg. Cat. III/2
Degree of protection IP 20 (IEC 529)
Material: Socket Black, thermoplast. resin (UL 9040 HB)
 Contact spring Nickel-plated copper alloy
 DIN-rail retaining spring Stainless steel wire
Approvals UL, CSA



Sockets (cont.)

Socket types ZVD 8, ZVD 11,
Socket for mounting on DIN-rail (DIN EN 50 022).

Rating 10 A/300 VAC (IEC 60664)
Installation/pollution deg. Cat. III/2
Degree of protection IP 10 (IEC 60529)
Material - Socket Black, thermoplast. resin (UL 94 V-1)
Contact spring Nickel-plated copper alloy
DIN-rail retaining spring Polyester

ZVD 8 8-pole circular socket.
ZVD 11 11-pole circular socket.

