

Motor Controllers Industrial, 2-Phase Motor Reversing Type RR2A

CARLO GAVAZZI



Motor reversing
for 3-phase induction motors up to 5.5 kW
Rated operational voltage: Up to 480 VACrms
Built-in interlock function
DC or AC control voltage
Built-in voltage transient protection
LED indication for direction
Isolation: Optocoupler (input-output)
4000 VACrms
Direct copper bonding technology

Product Description

This family of 2-Phase Motor Reversing Controller is designed to control the direction of 3-phase motors rated up to 5.5 kW. The built-in interlocking circuitry prevents the relay from switching both directions simultaneously and produce a short-circuit between the 2 phases of the output. A dual colour LED indicates direction "forward" when green and direction "reverse" when red. The output is protected from excessive voltage fluctu-

ations (transients) by built-in varistors. Furthermore, optimum reliability is achieved by soldering the output thyristor chips directly on to the ceramic substrate (Direct Copper Bonding).

The housing is designed to incorporate a temperature limit switch. It is recommended to install an appropriate semiconductor fuse in series with the relay.

Ordering Key

RR 2 A 40 D 150

Motor reversing
Number of phases
Switching mode
Rated operational voltage
Control input type
Motor power rating

Type Selection

Switching mode	Rated operational voltage, Ue	Control voltage	Motor rating
A: Zero Switching	40: 400 VACrms 48: 480 VACrms	D: 10 - 40 VDC LA: 90 - 140 VAC HA: 180 - 265 VAC	150: 1.5 kW, 2 HP 220: 2.2 kW, 3 HP 400: 4.0 kW, 5 HP 550: 5.5 kW, 7.5 HP

Selection Guide

Rated operational voltage	Control voltage	Motor rating			
		1.5 kW	2.2 kW	4.0 kW	5.5 kW
400 VACrms	10 to 40 VDC	RR2A40D150		RR2A40D400	
	90 to 140 VAC	RR2A40LA150		RR2A40LA400	
	180 to 265 VAC	RR2A40HA150		RR2A40HA400	
480 VACrms	10 to 40 VDC		RR2A48D220		RR2A48D550
	90 to 140 VAC		RR2A48LA220		RR2A48LA550
	180 to 265 VAC		RR2A48HA220		RR2A48HA550

General Specifications

	RR2 A 40.	RR2 A 48 . 220	RR2 A 48 . 550
Operational voltage range	40 to 440 VACrms	40 to 530 VACrms	40 to 530 VACrms
Blocking voltage	1200 V _p	1200 V _p	1600 V _p
Operational frequency range	45 to 65 Hz	45 to 65 Hz	45 to 65 Hz
Power factor	0.5 @ 400 VACrms	0.5 @ 480 VACrms	0.5 @ 480 VACrms
LED on indication	Yes (Green for Forward, Red for Reverse)		

Input Specifications

	RR2A..D...	RR2A..LA...	RR2A..HA...
Control voltage range	10 - 40 VDC	90 - 140 VAC	180 - 265 VAC
Pick-up voltage	8.5 VDC	70 VAC	170 VAC
Input current range	10 - 20 mADC	7 - 12.5 mAAC	6 - 9.5 mAAC
Drop-out voltage	3.5 VDC	20 VAC	50 VAC
Response time input to output	10 ms	70 ms	100 ms
Time delay			
F → R, R → F	Typical	200 ms*	200 ms*
	Minimum	30 ms	30 ms
	Maximum	300 ms	300 ms

* 300 ms for surrounding temperatures + 60°C (140 °F)

Output Specifications

	RR2A40.150	RR2A48.220	RR2A40.400	RR2A48.550
IEC and CCC rated operational current I_e (AC-53a) @ $T_a = 40^\circ\text{C}$	5 A	5 A	11 A	11 A
IEC rated operational current I_e (AC-51) @ $T_a = 40^\circ\text{C}$	25 A**	25 A**	40 A**	40 A**
Assigned motor rating @ 40°C / UL rating @ 40°C	1.5kW / 2HP	2.2kW / 3HP	4.0kW / 5HP	5.5kW / 7.5HP
Overload cycle according to EN/IEC 60947-4-2 @ 40°C	5A: AC53a: 6-6: 100-60	5A: AC53a: 6-6: 100-60	11A: AC53a: 8-3: 100-40**	11A: AC53a: 8-3: 100-40**
Number of starts/hr @ 40°C	60	60	40	40
	4A: AC53a: 6-6: 100 - unlimited**	4A: AC53a: 6-6: 100 - unlimited**	5A: AC53a: 6-3: 100 - unlimited**	5A: AC53a: 6-3: 100 - unlimited**
	3.5A: AC53a: 5-6: 100 - unlimited*	3.5A: AC53a: 5-6: 100 - unlimited*	4A: AC53a: 5-3: 100 - unlimited*	4A: AC53a: 5-3: 100 - unlimited*
	1.5A: AC53a: 4-6: 100 - unlimited	1.5A: AC53a: 4-6: 100 - unlimited	2A: AC53a: 5-3: 100 - unlimited	2A: AC53a: 5-3: 100 - unlimited
Minimum operational current $T_a = 25^\circ\text{C}$ V out = 40Vrms	150 mArms	150 mArms	250 mArms	250 mArms
Off-state leakage current	1 mArms	1 mArms	1 mArms	1 mArms
Non-rep. surge current $t=10\text{ms}$	300A _p	350A _p	350A _p	350A _p
I^2t for fusing $t=10\text{ms}$	525 A ² s	525 A ² s	1800 A ² s	1800 A ² s
On-state voltage drop	1.6 Vrms	1.6 Vrms	1.6 Vrms	1.6 Vrms
Critical dv/dt off-state	500 V/us	500 V/us	1000 V/us	1000 V/us

* This overload cycle is applicable when device is mounted on heatsink type RHS300

** Applicable only when device is mounted on heatsink type RHS301

Environmental Specifications

Operating temperature	-20°C to +80°C (-4°F to +176°F)	Degree of Protection	IP10 (EN/IEC 60529)
Storage temperature	-40°C to +100°C (-40°F to +212°F)	Installation category	III
Relative humidity	<95% non-condensing @40°C	Installation Altitude	1000m
Pollution Degree	3	Vibration	
		Sinusoidal (IEC 60068-2-6)	13 to 25Hz: 2.0mm peak 25 to 150Hz: 20m/s ²

Short Circuit Protection (according to EN/IEC 60947-4-2 and UL 508)

	RR2A40.150 RR2A48.220	RR2A40.400 RR2A48.550
Type of coordination: 1*		
UL rated short circuit current RK5 fuse	5kA when protected by RK5 fuses TRS10R 10A	10kA when protected by RK5 fuses TRS20R 20A
Type of coordination: 2**		
Rated short circuit current	10kA when protected by semiconductor fuses	10kA when protected by semiconductor fuses
Semiconductor fuse	Ferraz Shawmut 25A, Class URC Art. No. 6.9 CP gRC 14.51 25	Ferraz Shawmut 50A, Class URC Art. No. 6.9 CP gRC 14.51 50

* Applicable only for UL

** Applicable for IEC/ CCC

Housing Specifications

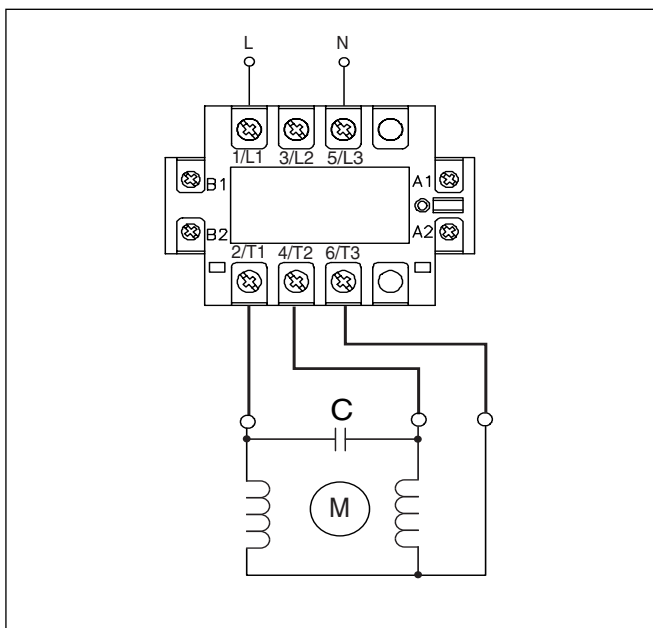
Weight	Approx. 430 g	Control terminal	
Housing material	Noryl, glass-reinforced	Mounting screws	M4
Colour	Black	Mounting torque	0.5 Nm
Base plate	Aluminium, nickel-plated	Wire size	Max. 2 x 2.5 mm ² (AWG 14)
Potting compound	Polyurethane, black		Min. 2 x 1.0 mm ²
Relay		Power terminal	
Mounting screws	M5	Mounting screws	M5
Mounting torque	1.5 Nm	Mounting torque	2.5 Nm
		Wire size	Max. 2 x 6 mm ² (AWG 8)
			Min. 2 x 1 mm ²

Isolation

Dielectric withstand voltage	
Input to output	4000 VACrms
Input to case	4000 VACrms
Dielectric withstand voltage	
Output to case	4000 VACrms

Applications

Reversing an Asynchronous single phase motor working with a phase-shifting capacitor



Standards

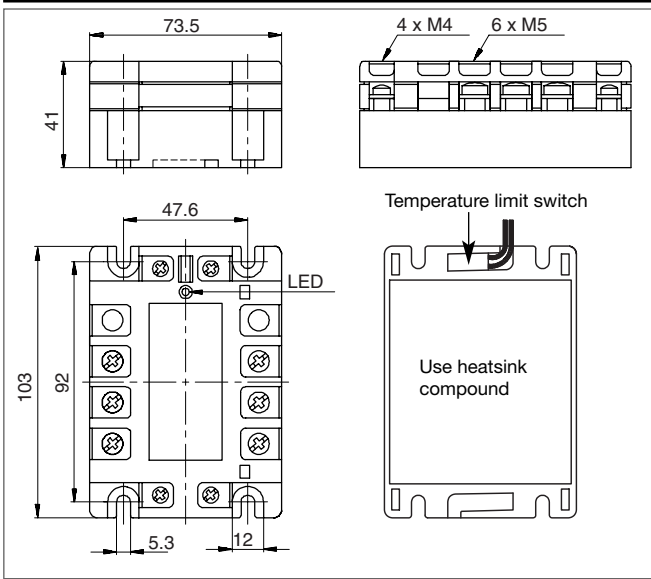
Approvals	UL, cUL (E172877), CCC
Markings	CE, EN 60947-4-2, GB 14048.6
EMC (Electromagnetic compatibility)	accord. to EN 61000-6-2
Wire conducted emission	Class A
Radiated emission	Class B
ESD Immunity (EN 61000-4-2)	4kV contact, PC1 8kV air discharge, PC2
Radiated RF immunity (EN 61000-4-3)	10V/m, PC1 (80-1000MHz)
Fast transient immunity (EN 61000-4-4)	Output 2kV, PC1 Input 2kV, PC1
Surge immunity (EN 61000-4-5)	Output: line to line 1kV, PC1 line to ground 2kV, PC1 Input: line to line 500V, PC1** (RR2AxxDxxx) line to ground 500V, PC1** (RR2AxxDxxx) line to line 1kV, PC1 (RR2AxxxAxxx) line to ground 2kV, PC1 (RR2AxxxAxxx)
Conducted RF immunity (EN 61000-4-6)	140dBuV, PC1* (0.15-80MHz)
Voltage Dips & Interruptions	EN 61000-4-11

* It is suggested that the input lines be installed together (such as a 3 core cable) to enhance susceptibility.

** Surge immunity level with an external transient voltage suppressor (47V) meets PC2 @ 1 kV between line to line and 2kV between line to ground.

Note: EMC tests were performed with representative motor loads of 1.1kW and 4.0kW. The above is just an indication of the EMC performance. The performance of the controller would have to be evaluated with the device connected and fitted as part of the complete system in the end application.

Dimensions



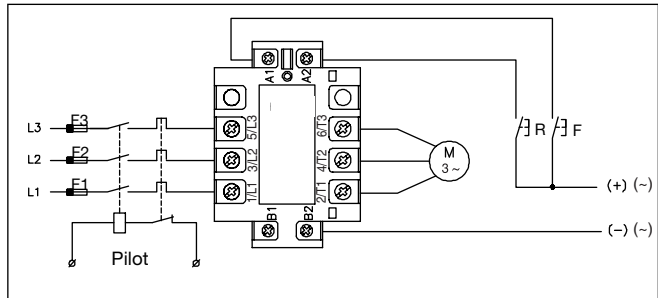
All dimensions in mm

Accessories

- Heatsinks
- Fuses
- Temperature limit switch

For further information refer to "General Accessories".

Wiring Diagram



Functional Diagram

