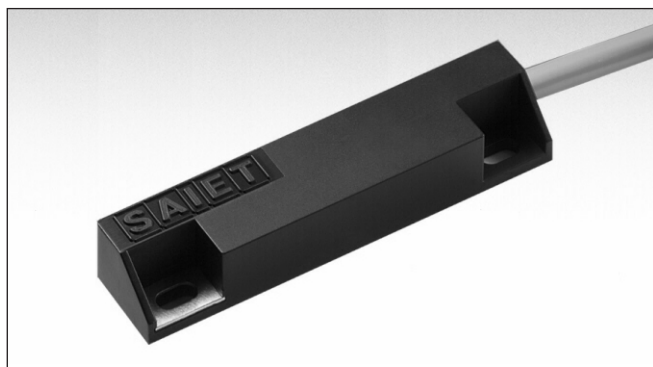


Proximity Magnetic Sensors

Rectangular Body, relay output SP.A.1 series



- Plastic body
- Relay output
- 1 NC high power output
- 1 NC signalling contact
- 24 Vdc power supply
- Long life contacts

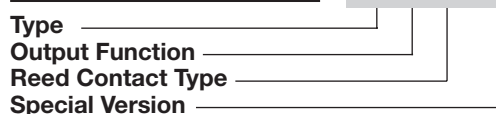
Product Description

The SPA.1.. magnetic sensors allow to use two different normally closed contacts: the first one has low power (5VA) and can be used as a signal contact; the second one has high power (100VA) and can be used to drive

hard loads. The cable output (ended by a connector) may be 3x0.75 mm², with the ground connection fixed on the case of the sensors by a thin plate, or 4x0.75 mm², with the ground signal output within the cable.

Ordering Key

SPA.1/S2



Type Selection

GND Connection	References
Within the output cable	SPA.1/S2
Thin plate fixed on the case	SPA.1/S3

General specification

E1 and E2 output function	NC
Case	ABS class V0
Life expectancy of E1 and E2 contacts	> 10 ⁶ cycles without load
Electrical life expectancy of E1 and E2 contacts	> 10 ⁵ cycles (E1) > 5 x 10 ⁵ cycles (E2) maximum allowable load

Protection degree	IP67
Operating temperature	-25 to +80 °C
Output connection	PVC Cable
Weight	65 g

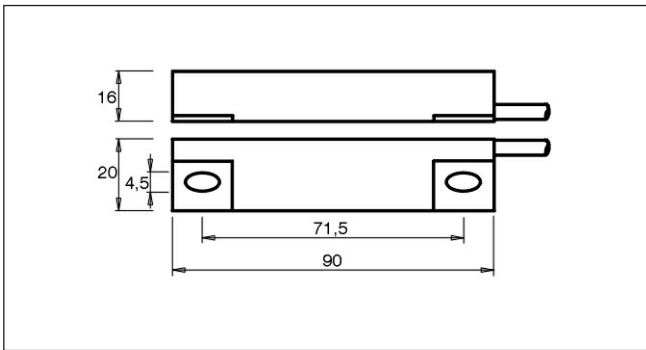
Electrical specifications

Power supply	24 Vdc
Output 1	Max 5 VA-0,5 A
Output 2	Max 100 VA- 4A

Operating distance

Nominal operating point H	12 mm
Max operating point Hmax	14 mm
Switching OFF distance D1	45 ± 7 mm
Switching ON distance D2	77 ± 7 mm
Hysteresis of the switching points	8 ± 5 mm

Dimensions



Wiring Diagrams

