

Proximity Magnetic Sensors Cylindrical Housing FS Series

CARLO GAVAZZI



- Cylindrical, plastic or brass housing
- M10, M12, M16 or Ø 13.5 diameter
- NO, NC, CO or bistable output functions
- Front side switching

Product Description

Available in several versions with plastic or brass housing, the sensors of the FS series have different dimensions and output contacts with output connection in PVC cable.

The models can be mounted directly on ferromagnetic supports as well; in this situation a reduction in the operating distance may occur due to a loss of magnetic field.

Ordering Key

FS A 2 S3 2MT

Type _____
 Output function _____
 Reed contact type _____
 Special version _____
 Cable length _____

Type Selection

Housing diameter	Connection	Output function	Reference
Ø 13.5	PVC cable	NO	FS A 2
Ø 13.5	PVC cable	NO	FS A 8
Ø 13.5	PVC cable	NC	FS C 2
Ø 13.5	PVC cable	NC	FS C 8
Ø 13.5	PVC cable	CO	FS S 2
M10	PVC cable	NO	FS A 2 S3 2MT
M10	PVC cable	CO	FS S 2 S1 2MT
M12	PVC cable	NO	FS A 2 S4 2MT
M12	PVC cable	CO	FS S 2 S4 2MT
M16	PVC cable	Bistable	FS B 2 2MT

Diameters are specified in millimeters (mm)

Output Specifications

Output FSA2, FSA8, FSA2S32MT, FSA2S42MT FSC2, FSC8 FSS2, FSS2S12MT, FSS2S42MT FSB22MT	NO NC Change-over Bistable	Max Switching Power FSA2, FSC2, FSB22MT, FSA2S32MT, FSA2S42MT FSA8, FSC8 FSS2, FSS2S42MT	100 VA 120 VA 60 VA
Contact ratings Max Switching Voltage FSA2, FSC2, FSB22MT, FSA2S32MT, FSA2S42MT FSA8, FSC8 FSS2, FSS2S42MT Max Switching Current FSA2, FSC2, FSB22MT, FSA2S32MT, FSA2S42MT FSA8, FSC8 FSS2, FSS2S42MT	250 VAC 1500 VAC 220 VAC 3 A 3 A 1 A		

General Specifications

Operating distance FS Series	See Operating Distance table	Material FSA2, FSA8, FSC2, FSC8, FSS2, FSB2MT FSA2S32MT, FSS2S12MT, FSA2S42MT, FSS2S42MT	Plastic
Suitable magnetic unit FS Series	See Operating Distance table		
Ambient temperature Operating	-25 to +75 °C	CE-marking	Yes
Environment Degree of protection	IP 67		
Housing Diameter FSA2, FSA8, FSC2, FSC8, FSS2 FSA2S32MT, FSS2S12MT FSA2S42MT, FSS2S42MT FSFSB22MT	Ø 13.5 mm M10 x 1.25 mm M12 x 1 mm M16 x 1.5 mm		

Operating Distance

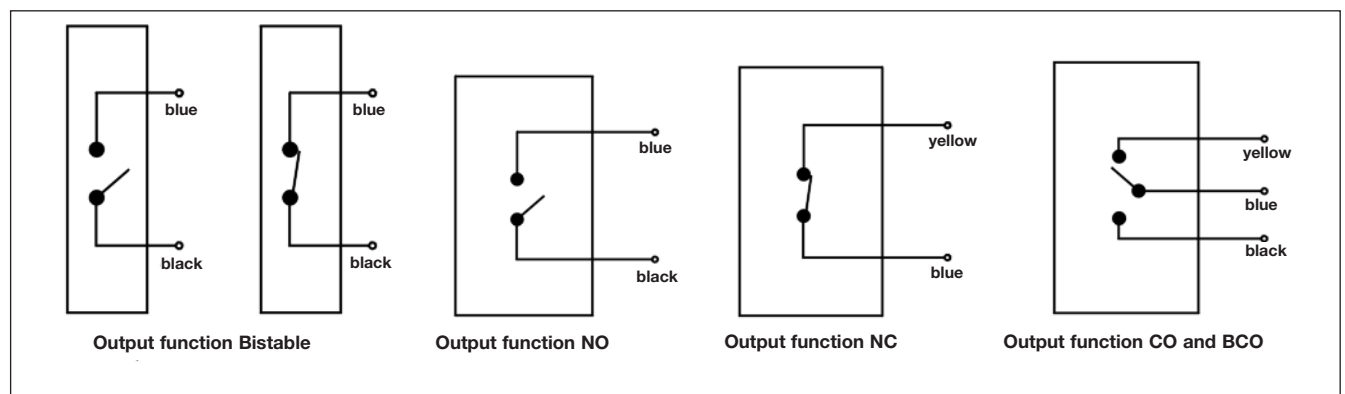
Magnetic units	CL.10	CL.11	CL.18	CL.20/S1	CL.20/S3	CL.23	CL.31
FSA2, FSA8, FSS2 FSC2, FSC8	-	9 12/0.5*	-	8 7	7 6	7 3	12 12/0.5*
FSA2S32MT, FSS2S12MT, FSA2S42MT, FSS2S42MT	-	9	-	8	7	7	12

Distances are specified in millimeters (mm)

xx/xx: operating distance (for all Output functions); xx/xx*: reswitching contact distance.

Outside the above mentioned range, the sensor maintains the initial state

Wiring Diagrams



Dimensions

