

# Proximity Magnetic Sensors Cylindrical Housing FMM Series

CARLO GAVAZZI



- Cylindrical stainless steel housing
- M8 diameter
- NC or CO output functions
- Front side switching

## Product Description

The cylindrical proximity magnetic sensors of the FMM series are characterized by stainless steel body and small dimensions.

They can be mounted directly on ferromagnetic supports as well; in this situation a reduction in the operating distance may occur due to a loss of magnetic field.

## Ordering Key

**FMM A 3**

Type \_\_\_\_\_  
 Output function \_\_\_\_\_  
 Reed contact type \_\_\_\_\_

## Type Selection

| Housing diameter | Connection      | Output function | Reference      |
|------------------|-----------------|-----------------|----------------|
| M8               | PVC cable L= 2m | NO              | <b>FMM A 3</b> |
| M8               | PVC cable L= 2m | NO              | <b>FMM A 6</b> |
| M8               | PVC cable L= 2m | CO              | <b>FMM S 1</b> |

Diameters are specified in millimeters (mm)

## Output Specifications

|  |                               |
|--|-------------------------------|
| <b>Output</b><br>FMMA3, FMMA6<br>FMMS1                                     | NO<br>Change-over             |
| <b>Contact ratings</b><br>Max Switching Voltage<br>FMMA3<br>FMMA6<br>FMMS1 | 500 VAC<br>100 VAC<br>100 VAC |
| Max Switching Current<br>FMMA3<br>FMMA6<br>FMMS1                           | 0.5 A<br>0.5 A<br>0.25 A      |
| Max Switching Power<br>FMMA3<br>FMMA6<br>FMMS1                             | 10 VA<br>10 VA<br>5 VA        |

## General Specifications

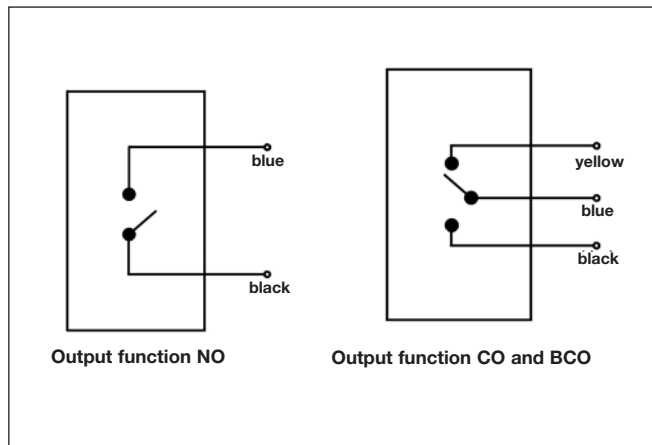
|   |   |
|---|---|
| <b>Operating distance</b><br>FMM Series                                       | See Operating Distance table                        |
| <b>Suitable magnetic unit</b><br>FMM Series                                   | See Operating Distance table                        |
| <b>Ambient temperature</b><br>Operating                                       | -25 to +70 °C                                       |
| <b>Environment</b><br>Degree of protection                                    | IP 67   |
| <b>Housing</b><br>Diameter<br>FMM Series<br>Material<br>FMMA3, FMMS1<br>FMMA6 | M8 x 1 mm<br>Stainless steel<br>Nickel plated brass |
| <b>CE-marking</b>   | Yes   |

## Operating Distance

| Magnetic Units | CL10 | CL11 | CL18 | CL20S1 | CL20S3 | CL23 | CL31 |
|----------------|------|------|------|--------|--------|------|------|
| FMMS1          | 8    | -    | 8    | 17     | 16     | 16   | 23   |
| FMMA3          | 10   | -    | 10   | 20     | 19     | 18   | 27   |
| FMMA6          | -    | -    | -    | -      | -      | 13   | -    |

Distances are specified in millimeters (mm)  
 xx: operating distance (for all Output functions).

## Wiring Diagrams



## Dimensions

