

Proximity Sensors Inductive Rectangular Plast Housings Types IC, ID, Cable and Plug

CARLO GAVAZZI



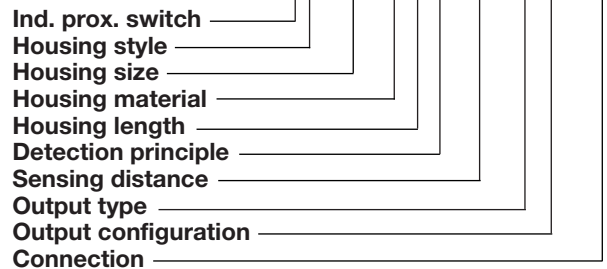
- Nickel-plated brass housings
- Sensing distance: 2 or 4 mm
- For flush mounting (ID25) or non-flush mounting (IC17)
- Output: IC 17: Transistor, NPN/PNP, make or break switching
ID 25: Transistor, NPN/PNP, make switching
- Power supply: 10 to 30 VDC
- Protection: Short-circuit (ID 25)
- 2 m PVC cable or plug M8 (ID 25)

Product Description

Inductive proximity sensor in rectangular plast housing. This series is suitable for the control of axial and rotational movements. Output configured

as PNP or NPN, make switching or break switching (only IC 17). Connection with 2 m PVC cable or M8 plug (ID 25 only).

Ordering Key ID 25 CNC 20 NO M5-K



Type Selection

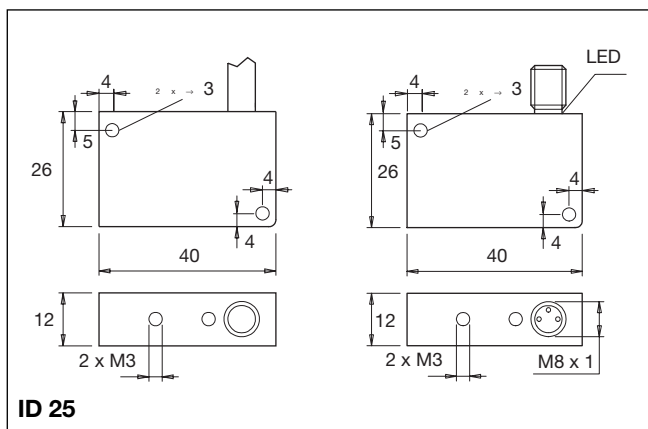
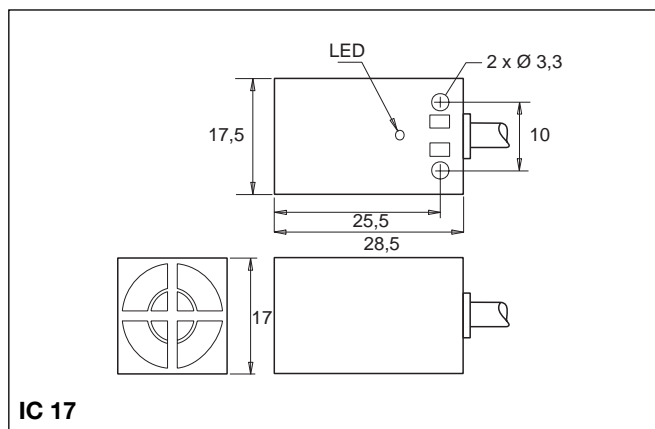
Rated op. dist. (S _n)	Con- nec- tion	Housing dimensions [mm]	Ordering no. Transistor, NPN Make switching	Ordering no. Transistor, NPN Break switching	Ordering no. Transistor, PNP Make switching	Ordering no. Transistor, PNP Break switching
4 mm	Cable	17.5 x 17 x 28.5	IC 17 CNC 04 NO-K	IC 17 CNC 04 NC-K	IC 17 CNC 04 PO-K	IC 17 CNC 04 PC-K
2 mm	Cable	40 x 26 x 12	ID 25 CNC 20 NO-K		ID 25 CNC 20 PO-K	
2 mm	Plug	40 x 26 x 12	ID 25 CNC 20 NO M5-K		ID 25 CNC 20 PO M5-K	

Specifications

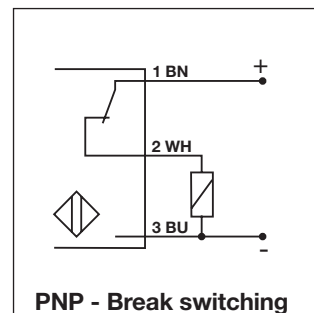
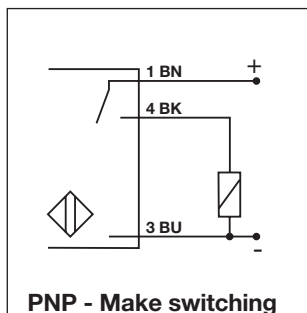
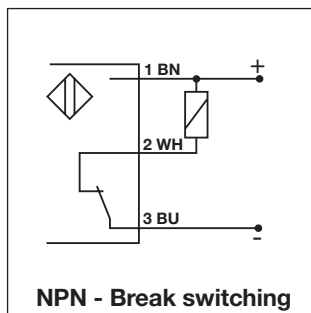
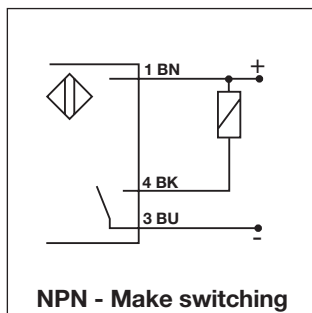
Rated operational volt. (U_b)	10 to 30 VDC (ripple included)	Sensing distance	IC 17: 4 mm ID 25: 2 mm
Ripple	≤ 10%	Effective operating dist. (S_r)	0.9 x S _n ≤ S _r ≤ 1.1 x S _n
Rated operational current (I_e) Continuous	IC17: ≤ 100 mA @ 25°C ID25: ≤ 400 mA @ 25°C	Usable operating dist. (S_u)	0.85 x S _r ≤ S _u ≤ 1.15 x S _r
No-load supply current (I_o) IC 17 ID 25	≤ 12 mA (ON) ≤ 18 mA (ON)	Ambient temperature Operating Storage	-25° to +70°C (-13° to +158°F) -30° to +75°C (-22° to +167°F)
Voltage drop (U_d) IC 17 ID 25	< 1 V (@ I _{max}) < 2.2 V (@ I _{max})	Degree of protection	IP 67 (Nema 1, 3, 4, 6, 13)
Protection IC 17 ID 25	None Short-circuit	Housing material	Plast
Frequency of op. cycles (f) IC 17 ID 25	500 Hz 800 Hz	CE-marking	Yes
Indication for output ON	LED, yellow	Connection	Cable, 2 m, PVC, AWG 26 or Plug M8, CONH5A-xxx serie plug versions only ID 25)



Dimensions



Wiring Diagrams



Installation Hints

