

Dupline® Hi-Line I/O Module for Irrigation Valve Control Type GH34404412



- Module for controlling 3-wire latching valves
- 2 outputs open and close valve
- 2 inputs for e.g. pulse counting, tamper switch or status feedback
- Supplied by bus – no external power needed
- Valve closes in case of bus fault
- Built-in charge capacitor for latch/unlatch
- Built-in gas-arrestor for lightning protection
- Built-in microcontroller for correct coil-pulsing and charge monitoring
- Channel coding by GAP 1605
- H4-Housing

Product Description

The valve module GH34404412 is part of the Dupline® irrigation concept. It is designed to control 3-wire latching valves. The booster module GH34850000, which generates the 28 V Hi-Line signal, controls and supplies up to 64 valve modules GH34404412. The GH34404412 features 2 outputs, one for open valve

and one for close valve, and 2 inputs for e.g. flow meter, pulse counting, tamper switch or status feedback. The module has built-in charge capacitor for latch/unlatch coil, built-in gas-arrestor for lightning protection and built-in microcontroller for correct coil pulsing and charge monitoring.

Ordering Key

GH34404412

Type: Dupline® Hi-Line
H4-Housing

Type Selection

Valve type to be controlled	Ordering no.
12 VDC 3-wire latching	GH34404412

Input/Output Specifications

Inputs	2 Contacts or NPN-transistors
Open loop voltage	5 V
Short circuit current	50 µA
Start peak current	50 mA
Contact resistance	≤ 100 Ω
Cable length	≤ 3 m
Outputs	2 N-ch. mosfets
Pulse time	50-95 ms
Pulse voltage	12 V +/-10%
Max peak current	10 A

Supply Specifications

Supply	Supplied by Hi-Line
Current consumption	typ. 1.8 mA
Charge current	20 mA
Charge time	≤ 5 s
Capacitor	4700 µF

General Specifications

Charge time	min. 2 s
Channel programming	By GAP 1605
Environment	
Degree of protection	IP20 B
Operating temperature	0° to +50°C (+32° to +122°F)
Storage temperature	-50° to +85°C (-58° to +185°F)
Humidity (non-condensing)	20 to 80%
Mechanical resistance	
Shock	15 G (11 ms)
Vibration	2 G (6 to 55 Hz)
Dimensions	H4-housing

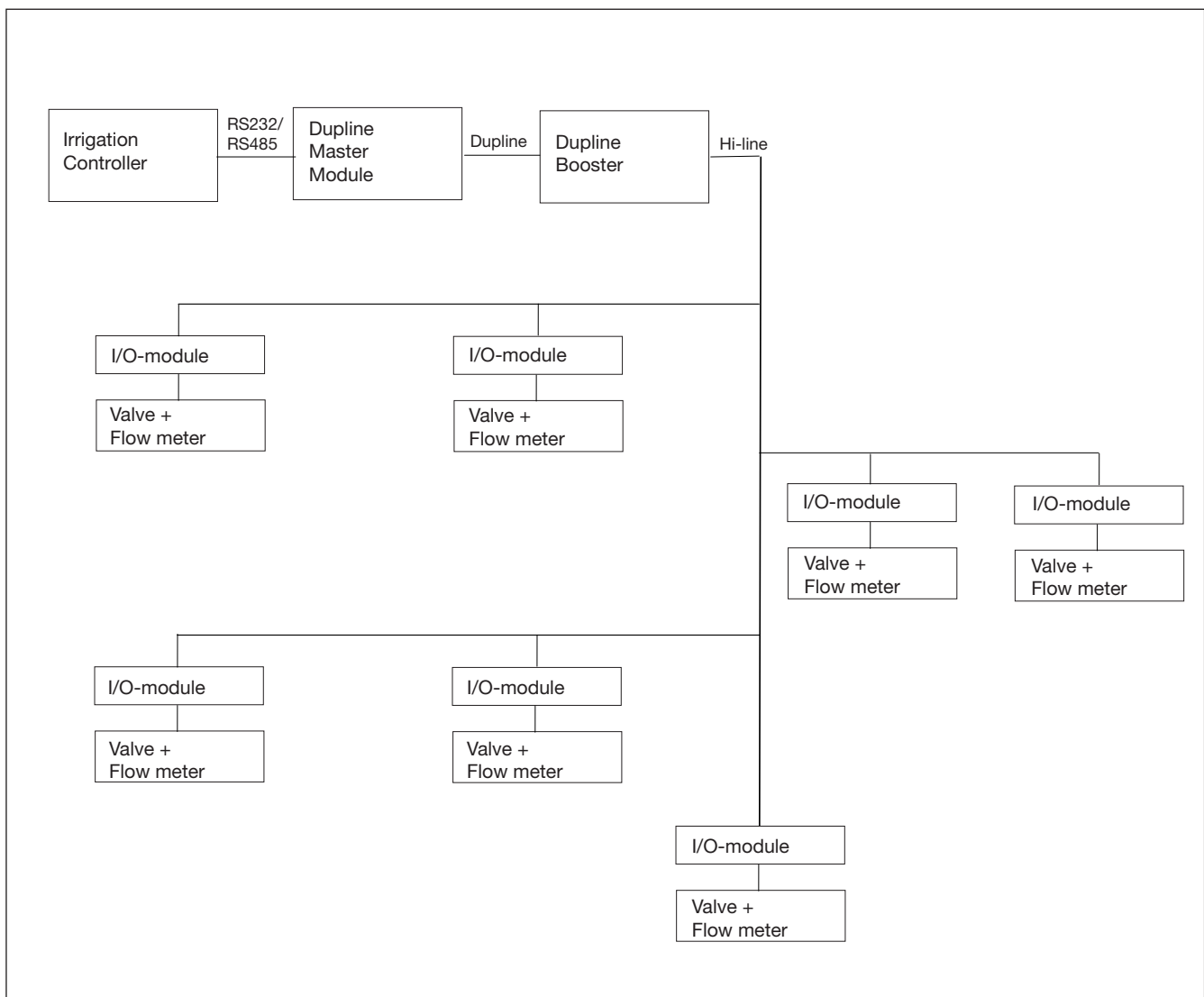
Mode of Operation

The purpose of the Dupline Irrigation Bus System is to reduce the cost of the wiring in irrigation systems. By connecting the Irrigation Controller with all the valves in the field via a 2-wire bus, a much simpler and more flexible solution is achieved compared to the traditional multi-core cable with a hot-wire for each valve. The bus system

enables the Irrigation Controller to control each individual valve (open/closed) and it also carries the power required to operate the valves, which must be 3-wire 12 VDC latching types. It is also possible to send information from the field to the Irrigation Controller, e.g. pulses from a flow meter. Each valve must be connected to a

bus I/O-module with 2 digital outputs (open, close) and 2 digital inputs. The GH34404412 I/O-module has been designed for DIN-rail mounting. The interface between the Irrigation Controller and the Dupline Master Module is achieved via serial communication (RS232 or RS485) between the two devices.

The GH34850000724 booster module increases the voltage level of the standard Dupline signal to 28 VDC Hi-Line in order to achieve sufficient voltage level to operate the valves. The diagram below shows the topology of the system.



System Characteristics

Cable requirements

Min. cable cross-section
1.5 mm²
Shield not required
Twist not required
Free topology

There must be min. 10 s between two valve operations on the line.

The table below shows the max. number of valves on one line as a function of distance and cross-section of the cable. The "shaded" cells are always valid. The unshaded cells are based on a uniform distribution of the valves and are hence valid

when the **average** distance between the valves and the Hi-Line Booster is below 0.75 of the distance between the Hi-line Booster and the farthest valve.

Distance and number of valves

Max. 64 valves on one line (128 outputs, 128 inputs)
Up to 7 km communication distance

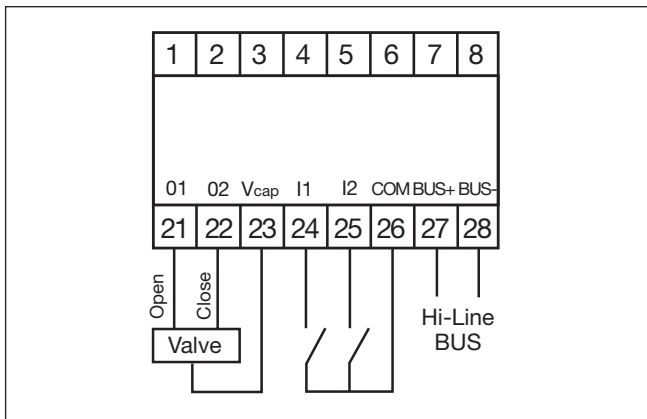
12 VDC latching valve

	1 km	2 km	3 km	4 km	5 km	6 km	7 km
1.5 mm ²	64	64	64	64	64	54	44
2.5 mm ²	64	64	64	64	64	64	64

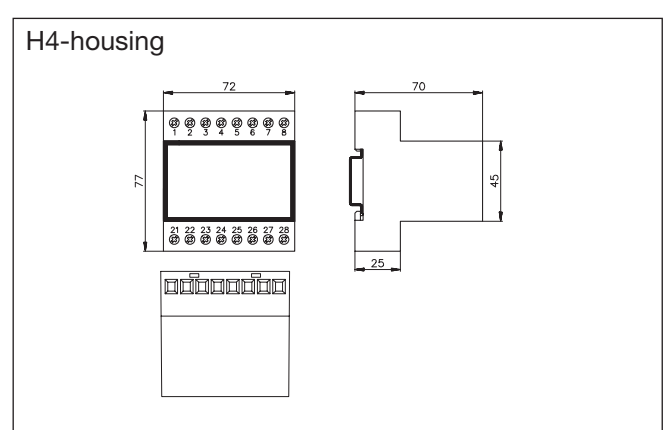
Loss of bus signal

If the valve I/O-module loses the bus signal, it will automatically close the valve.

Wiring Diagram



Dimensions (mm)



Accessories

DIN-Rail:

FMD 411