

Dupline® Field- and Installationbus Receiver for Digital Signals Type G 3830 5543

CARLO GAVAZZI



- 8-channel receiver
- Galvanically separated SPST relay outputs
- Load: 8 x 5 A/250 VAC
- H8-housing
- For mounting on DIN-rail (EN 50022)
- LED-indications for supply, Dupline carrier and outputs
- AC power supply
- Channel coding by GAP 1605

Product Description

Dupline receiver. VAC/5 A.
SPST relay outputs for control of 8 loads of up to 250

Ordering Key G 3830 5543 024

Type: Dupline _____
H8-housing _____
Receiver _____
No. of channels _____
Output type _____
Power supply _____

Type Selection

Supply

24 VAC
115 VAC
230 VAC

Ordering no.
8 channels
5 A/250 VAC

G 3830 5543 024
G 3830 5543 115
G 3830 5543 230

Supply Specifications

Power supply	Overvoltage cat. III (IEC 664)
Rated operational voltage through term. 21 & 22	230 VAC, ±15% (IEC 38)
115	115 VAC, ±15% (IEC 38)
024	24 VAC, ±15%
Frequency	45 to 65 Hz
Voltage interruption	≤ 40 ms
Rated operational power	Typ. 7.0 VA
Rated impulse withstand voltage	230 4 kV 115 2.5 kV 024 800 V
Dielectric voltage Supply - Dupline	≥ 4 kVAC (rms)
Supply - Outputs	≥ 4 kVAC (rms)

Output Specifications

Outputs	8, SPST relays
Isolated in groups of	8 x 1
Contact ratings (AgCdO)	μ (micro gap)
Resistive loads AC 1	5 A/250 VAC (1250 VA)
DC 1	0.25 A/250 VDC (62 W)
or	5 A/25 VDC (125 W)
Inductive loads AC 15	2.5 A/230 VAC
DC 13	5 A/24 VDC
Mechanical lifetime	≥ 30 x 10 ⁶ operations
Electrical lifetime (at max. load) AC 1	≥ 2.0 x 10 ⁵ operations
Operating frequency	≤ 7200 operations/h
Dielectric voltage Outputs - Dupline	≥ 4 kVAC (rms)
Response time	1 pulse train



General Specifications

Output OFF delay upon loss of Dupline carrier	≤ 20 ms
Power ON delay	Typ. 2 s
Indication for	
Supply ON	LED, green
Dupline carrier	LED, yellow
Output ON	LED, red (one per output)
Environment	
Degree of protection	IP 20
Pollution degree	3 (IEC 664)
Operating temperature	-20 to +50°C (-4 to +122°F)
Storage temperature	-50 to +85°C (-58 to +185°F)
Humidity (non-condensing)	20 to 80%
Mechanical resistance	
Shock	15 G (11 ms)
Vibration	2 G (6 to 55 Hz)
Dimensions	
Material (see Technical information)	H8-housing
Weight	800 g

Mode of Operation

8-channel receiver with 8 normally open contact outputs. Each output may be coded individually by means of the code programmer GAP 1605. For details, please refer to the respective data sheet.

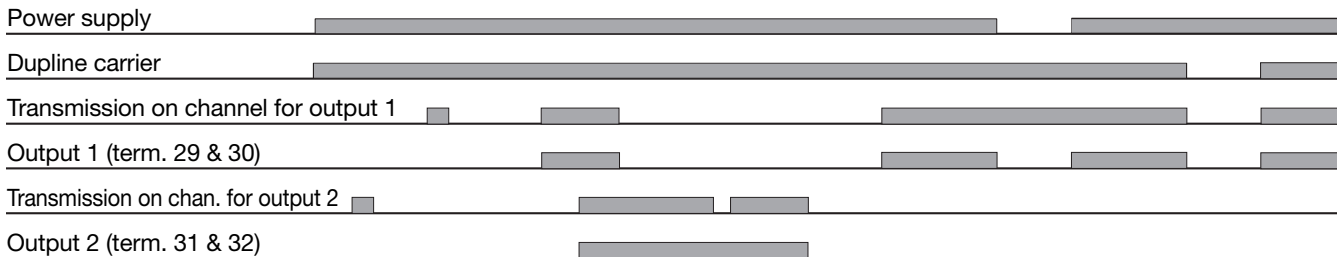
The outputs are normally off. When a transmitter coded to the selected channel is activated, the output turns on and remains on until the respective channel becomes deactivated.

The default setting of the module is such that upon loss of Dupline carrier **all** the outputs go off.

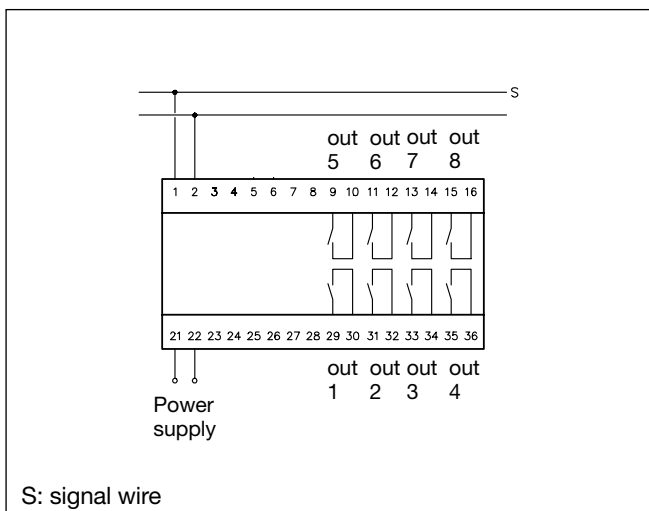
Output connections

Output 1: terminals 29 & 30
 Output 2: terminals 31 & 32
 Output 3: terminals 33 & 34
 Output 4: terminals 35 & 36
 Output 5: terminals 9 & 10
 Output 6: terminals 11 & 12
 Output 7: terminals 13 & 14
 Output 8: terminals 15 & 16

Operation Diagram



Wiring Diagram



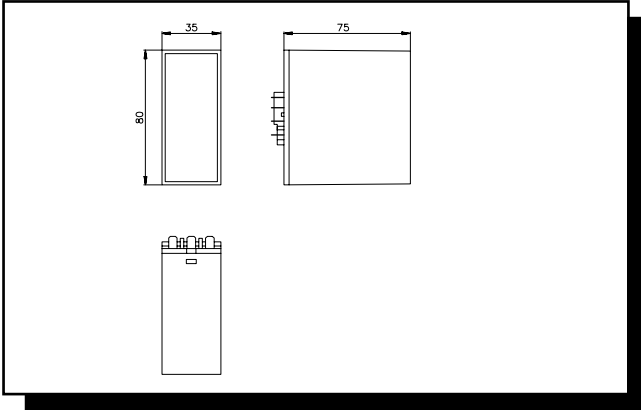
Accessories

DIN-rail FMD 411

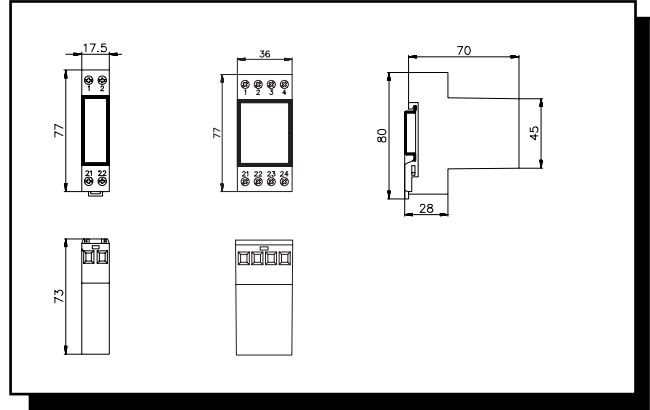
For further information see "Accessories".

Dimensions (mm)

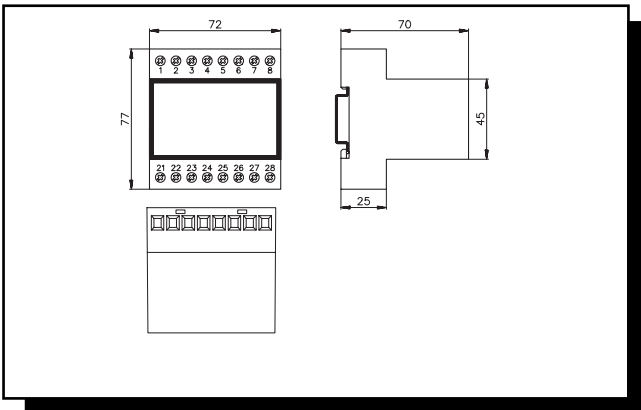
D-housing



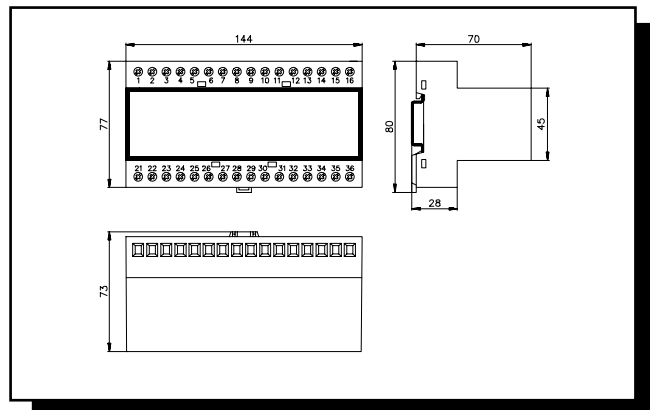
H1/H2-housing



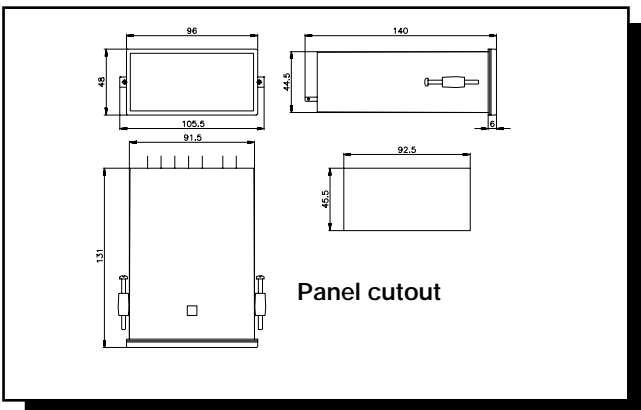
H4-housing



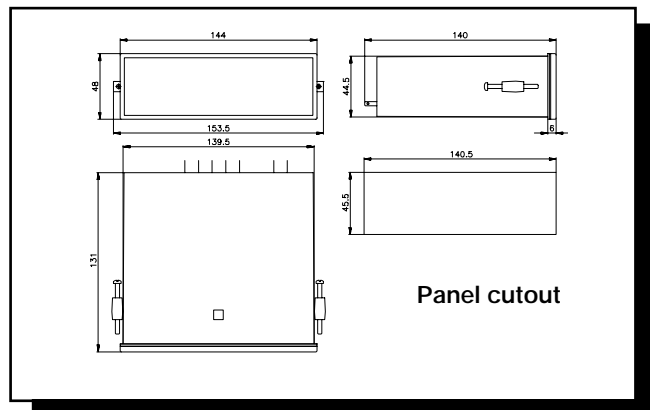
H8-housing



96 x 48-housing



144 x 48-housing



Mini-E Housing

