

Proximity Magnetic Sensors Flux Sensors FLM Series



- Cylindrical stainless steel housing
- M10 diameter
- NO output function
- Cable ended with faston output connection
- Temperature resistant plastic float

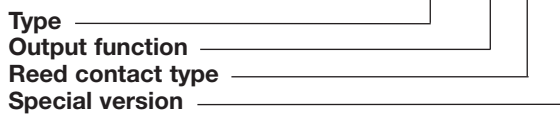
Product Description

The FLMA1S1 sensor is a magnetic flux meter switch. To work correctly, the flux of the liquid material must push the float against the spring: when the flux is sufficiently high to move the float of a fixed distance from the Seeger block, the sensor switches ON. When the flux decreases, the

spring pushes the float towards the Seeger block and the contact switches OFF. All the materials (AISI 316 for the rod and the spring and plastic high temperature resistant material for the float) allow to use this sensor over a wide range of applications.

Ordering Key

FLM A 1 S1



Type Selection

Float diameter	Connection	Output function	Reference
Ø 20	HT105 PVC cable ended with 6.35 mm male faston	NO	FLM A 1 S1

Diameters are specified in millimeters (mm)

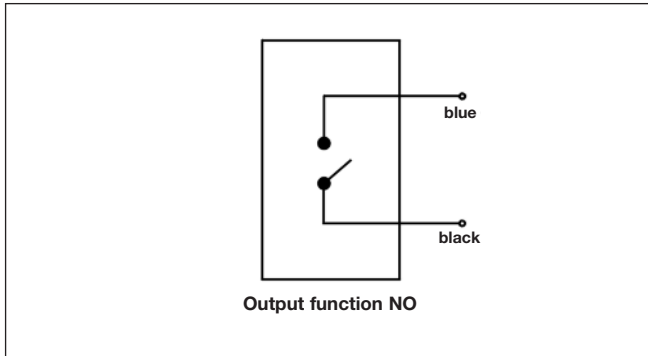
Output Specifications

Output FLM Series	NO
Contact ratings	
Max Switching Voltage FLM Series	200 VAC
Max Switching Current FLM Series	0.4 A
Max Switching Power FLM Series	10 VA
Max Carry Current FLM Series	0.75 A

General Specifications

Ambient temperature	
Operating FLM Series	-30 to +105 °C
Environment	
Degree of protection	IP67
Float	
Diameter FLM Series	Ø 20 mm
Material FLM Series	Stainless steel
Characteristic FLM Series	Temperature resistant plastic material
Spring	
Material	Stainless steel
External dimensions	M10 x 1 mm
Operating distance D_{on}	+ 5 mm
Release distance D_{off}	D _{on} - 2 mm
Mechanical life	10 ⁹ cycles @ no load
Electrical life	5 x 10 ⁸ cycles @ low load
CE-marking	Yes

Wiring Diagrams



Dimensions

