

ESTHW50x



Environmental Sensor, Temperature and Humidity Transmitter, Wall type



Main features

- Wall mounting
- 0-10 V or 4-20 mA output
- 0 to 50°C temperature and 0 to 95% humidity measuring range
- Simple installation
- Compact housing

Applications

- Monitoring for HVAC process / air conditioning / environmental ventilation control
- Air conditioning monitoring for building / hospital
- Humidity monitoring for house / hotel environment

Description

Simple transmitter for temperature and humidity.
Comes with 2 analog outputs.
Compact and easy to install.



References

Product selection key



ESTHW50

Enter the code entering the corresponding option instead of

Code	Option	Description
ESTH	-	Model
W	-	Wall mounting
50	-	Temperature range
<input type="checkbox"/>	V	Output: 0...10 V
	A	Output: 4...20 mA

Type selection

Mounting	Temperature range	Output	Power supply	Code
Wall	0°... +50°C	0...10 V	15...35 VDC and 19...29 VAC	ESTHW50V
Wall	0°... +50°C	4...20 mA	11...35 VDC	ESTHW50A

Features

▶ Power Supply

Power supply	2-wire	11...35 VDC
	Signal connection	15...35 VDC and 19...29 VAC
Current consumption	2-wire	< 40 mA
	Signal connection	DC < 15 mA, AC < 40 mA

▶ Outputs

2 x Output	4...20 mA / 0...10 V
-------------------	----------------------

▶ Environmental

Ambient temperature	0°... +50°C (32°... +122°F)	Operating
	-5° ... +60°C (23° ... +140°F)	Storage
Degree of protection	IP20	
Electrical protection	Polarity protection, over voltage and short circuit	

Measuring Values

Sensor type	Capacitive humidity sensor & PT 100 Ω	
Media measured	Air	
Measuring range	Temperature (T)	0...50°C (32 -122°F)
	Humidity (H)	0...95% RH
Signal connection	2-wire / 3-wire	
Accuracy (@ +25°C)	Temperature	$\pm 0.3^{\circ}\text{C} + 0.002^{\circ}\text{C} \times t \text{ actual}$
	Humidity	$\pm 3\% \text{ RH (30...70\% of F.S.)}$ $\pm 5\% \text{ RH (20...80\%)}$
	Temperature influence	0.2% RH/°C
Response times (t90) (@ +25°C)	< 20 s	
Load resistance	2-wire	$RL < (+V-10) / 0.02 < 500 \Omega$
	3-wire	> 10 K Ω

Mechanics/electronics

Connection

Electrical connection	Screw terminal
-----------------------	----------------

Wiring

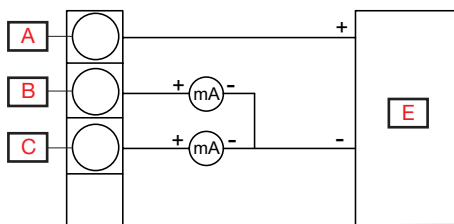


Fig. 1 2-wire

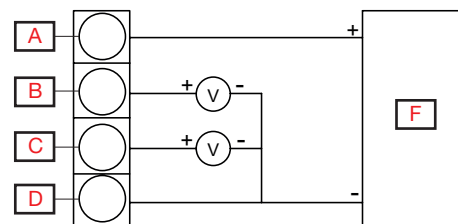
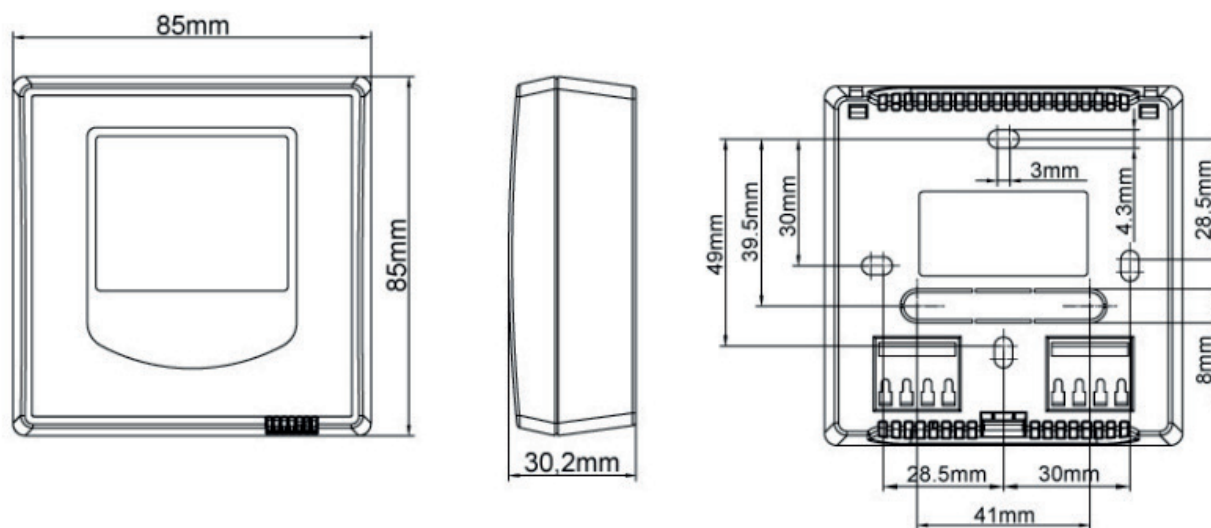


Fig. 2 3-wire

A	+V	D	GND
B	Humidity	E	11...35 VDC
C	Temperature	F	15...35 VDC or 19...29 VAC

Housing

Housing	PC fire-proof class (PC-110)
Installation	Wall mounting
Weight	60 g

Dimensions**Compatibility and conformity****Approvals and markings**

CE-marking





Delivery contents and accessories

▶ Delivery contents

Environmental sensor: ESTHW50x



COPYRIGHT ©2016
Content subject to change. Download the PDF: www.productselection.net