

Energy Management Energy Analyzer Type EM26 96



- Application adaptable display and programming procedure (Easyprog function)
- Easy connections management
- Certified according to MID Directive (option PF only): see "how to order" below
- Other versions available (not certified, option X and P): see "how to order" on the next page

- Class 1 (kWh) according to EN62053-21
- Class B (kWh) according to EN50470-3
- Class 2 (kvarh) according to EN62053-23
- Accuracy $\pm 0.5\%$ RDG (current/voltage)
- Dual colour backlight: no backlight, blue or white (selectable)
- Energy analyzer
- Instantaneous variables readout: 4 DGT
- Energies/gas/water readout: 7+1 DGT
- System variables: VLL, VLN, Admd, VA, VAdmd, VAdmd max, W, Wdmd, Wdmd max, var, PF, Hz, Phase-sequence.
- Single phase variables: VLL, VLN, A, VA, W, var, PF
- Energy measurements: total and partial kWh and kvarh or based on 4 different tariffs; single phase measurements
- Gas, cold water, hot water, kWh remote heating measurements
- Hour counter (6+2 DGT)
- Harmonic analysis (FFT) up to 15th harmonic (current/voltage)
- TRMS measurements of distorted sine waves (voltages/currents)
- Universal power supply: 18 to 60VAC/DC, 90 to 260AC/VDC
- 3 digital inputs for tariff selection, DMD synch or gas/water (hot-cold) and remote heating metering (on request)
- 3 digital outputs for pulses or for alarms or as a mix of them (on request)
- Front dimensions: 96x96mm
- Protection degree (front): IP50
- RS485 serial output (on request) (MODBUS-RTU), iFIX SCADA compatibility

Product Description

Three-phase energy analyzer with built-in configuration joystick and LCD data displaying; particularly indicated for active and reactive energy metering

and for cost allocation. Housing for panel mounting with IP50 (front) protection degree. External Current and potential transformers connection. Moreover

the meter can be provided with digital outputs that can be used: for pulse proportional to the active and reactive energy being measured or for alarm outputs,

or for remote control. RS485 communication port and 3 digital inputs are available as an option.

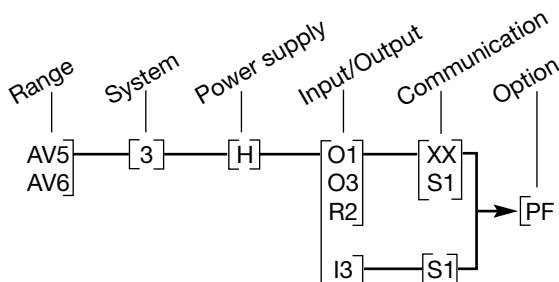
MID Certified according to MID Directive, Annex "B" + Annex "D" or Annex "B" + Annex "F" for legal metrology relevant to active electrical energy meters (see Annex MI-003 of MID). Can be used for fiscal (legal) metrology.

How to order EM26 96 AV5 3 H O3 S1 PF



Type Selection

Range codes	System	Power supply	Input/Output
AV5: 230 V _{LN} /400V _{LL} 1/5(10)A V _{LN} : 160 V to 480 V _{LN} V _{LL} : 277 V to 830 V _{LL} AV6: 120 V _{LN} /208V _{LL} 1/5(10)A V _{LN} : 40 V to 144 V _{LN} V _{LL} : 70 V to 250 V _{LL}	3: balanced and unbalanced load: 3-phase, 4-wire; 3-phase, 3-wire; 2-phase, 3-wire; 1-phase, 2-wire	H: 90 to 260VAC/DC (48 to 62Hz)	O1: single open collector type (pulse or alarm) O3: 3 open collector type (mixed combination of pulse and/or alarm outputs) R2: dual relay type (functions as per "O3") I3: 3 digital inputs for tariff selection or Gas / water / remote heating metering
		Communication XX: none S1: RS485 port	Options PF: Certified according to MID Directive, Annex "B" + Annex "D" or Annex "B" + Annex "F" for legal metrology relevant to active electrical energy meters (see Annex MI-003 of MID). Can be used for fiscal (legal) metrology.



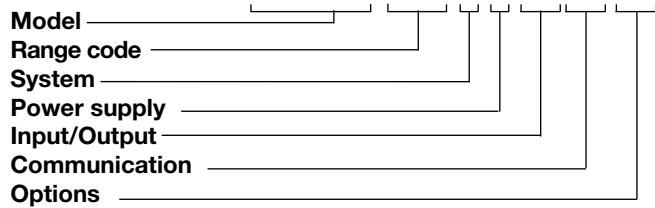
NOTE: please check the availability of the needed code on the verification path diagram on left before order.



STANDARD

Not certified according to MID directive. Cannot be used for fiscal (legal) metrology.

How to order EM26 96 AV5 3 H O3 S1 XX



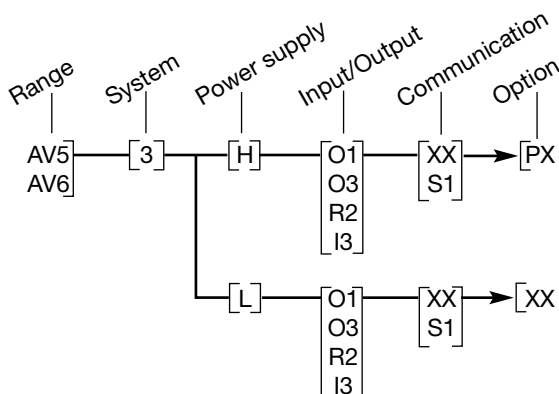
Type Selection

Range codes	System	Power supply	Input/Output
AV5: 230 V _{LN} /400V _{LL} 1/5(10)A V _{LN} : 160 V to 480 V _{LN} V _{LL} : 277 V to 830 V _{LL}	3: balanced and unbalanced load: 3-phase, 4-wire; 3-phase, 3-wire; 2-phase, 3-wire; 1-phase, 2-wire	H: 90 to 260VAC/DC (48 to 62Hz)	O1: single open collector type (pulse or alarm)
AV6: 120 V _{LN} /208V _{LL} 1/5(10)A V _{LN} : 40 V to 144 V _{LN} V _{LL} : 70 V to 250 V _{LL}		L: 18 to 60VAC/DC (48 to 62Hz)	O3: 3 open collector type (mixed combination of pulse and/or alarm outputs)
		Communication	R2: dual relay type (functions as per "O3")
		XX: none S1: RS485 port	I3: 3 digital inputs for tariff selection or Gas / water / remote heating metering

Options

XX: none
PX: Bearing EC "Type examination" (annex B of MID) relevant to active electrical energy meters (see Annex MI-003).

NOTE: please check the availability of the needed code on the verification path tables on left before order.



Input specifications

Rated inputs	System type: 3	Overload status	EEEE indication when the value being measured is exceeding the "Continuous inputs overload" (maximum measurement capacity)
Current type	Galvanic insulation by means of built-in CT's		
Current range (by CT)	AV5 and AV6: 1/5(10)A	Max. and Min. indication	Max. instantaneous variables: 9999; energies: 9 999 999.9 or 99 999 999.
Voltage by direct connection or VT/PT	AV5: 230 V _{LN} /400V _{LL} ; AV6: 120 V _{LN} /208V _{LL}		Min. instantaneous variables: 0; energies 0.0 or 0
Accuracy (Display + RS485) (@25°C ±5°C, R.H. ≤60%, 48 to 62Hz)	lb: see below, Un: see below	LEDs	Red LED (Energy consumption), according to EN50470-3, EN62052-11
AV5 model	In: 5A, I _{max} : 10A; Un: 160 to 480V _{LN} (277 to 830V _{LL})		0.001 kWh/kvarh by pulse if CT ratio by VT ratio is ≤7;
AV6 model	In: 5A, I _{max} : 10A; Un: 40 to 144V _{LN} (70 to 250V _{LL})		0.01 kWh/kvarh by pulse if CT ratio x VT ratio is > 7.1 ≤ 70.0;
Current			0.1 kWh/kvarh pulse if CT ratio x VT ratio is > 70.1 ≤ 700.0;
AV5, AV6 models	From 0.002I _n to 0.2I _n : ±(0.5% RDG +3DGT) From 0.2I _n to I _{max} : ±(0.5% RDG +1DGT).		1 kWh/kvarh by pulse if CT ratio x VT ratio is > 700.1;
Phase-neutral voltage	In the range Un: ±(0,5% RDG +1DGT)		1000 imp./kWh/kvarh. Max frequency: 16Hz
Phase-phase voltage	In the range Un: ±(1% RDG +1DGT)	Measurements	See "List of the variables that can be connected to:"
Frequency	±0.1Hz (45 to 65Hz)	Method	TRMS measurements of distorted wave forms.
Active and Apparent power	±(1%RDG +2DGT)	Coupling type	By means of external CT's
Power Factor	±[0.001+1%(1.000 - "PF RDG")]	Crest factor	≤3 (15A max. peak)
Reactive power	±(2%RDG +2DGT)	Current Overloads	
Active Energy	Class 1 according to EN62053-21; class B according to EN50470-3.	Continuous	10A, @ 50Hz
Active Energy	Class 2 according to EN62053-23	For 500ms	200A, @ 50Hz
AV5, AV6 models	In: 5A, I _{max} : 10A; 0.1 In: 0.5A. Start up current: 10mA	Voltage Overloads	
Harmonic distortion	±3% F.S. (up to 15th harmonic) (F.S.: 100%)	Continuous	1.2 Un
		For 500ms	2 Un
Energy additional errors		Input impedance	
Influence quantities	According to EN62053-21, EN62053-23	208VL-L (AV6)	>1MΩ
Temperature drift	≤200ppm/°C	400VL-L (AV5)	>1MΩ
Sampling rate	1600 samples/s @ 50Hz 1900 samples/s @ 60Hz	1/5(10) A (AV5-AV6)	< 0.3VA
Display refresh time	750 msec	Frequency	45 to 65 Hz
Display	3 lines (1 x 8 DGT; 2 x 4 DGT)	Joystick	For variable selection: programming of the instrument working parameters and Wdmd max reset
Type	LCD, h 9.5mm, dual colour backlight (selectable)		
Instantaneous variables read-out	4 DGT		
Energies	Imported: Total/Partial/Tariff: 7+1DGT or 8DGT; Exported: Total/Partial/Tariff: 6+1DGT or 7DGT (with "-" sign).		

Output specifications

Digital outputs		Relay output		
Pulse type	Up to 3, independent. Programmable from 0.001 to 10,00 kWh/kvarh per pulse. Outputs connectable to the energy meters (Wh/varh) $\geq 100\text{ms} < 120\text{msec}$ (ON), $\geq 120\text{ms}$ (OFF), according to EN62052-31	Physical outputs	Max. 2	
Number of outputs		Purpose	For alarm output, pulse output or remote control.	
Type		Type	Relay, SPST type	
Pulse duration		Insulation	AC 1-5A @ 250VAC DC 12-5A @ 24VDC AC 15-1.5A @ 250VAC DC 13-1.5A @ 24VDC	
Alarm type			4000 VRMS outputs to measuring input. 4000 VRMS outputs to power supply input.	
Number of outputs				
Alarm modes				
Set-point adjustment				
Hysteresis				
On-time delay				
Output status				
Min. response time				
Remote control				
Note	The 3 digital outputs can also work as a triple pulse output, triple alarm output, or in any other combination.			
Static output		RS485		
Physical outputs	Max. 3 For pulse output, alarm output or remote control. V_{ON} 1.2 VDC/ max. 100 mA V_{OFF} 30 VDC max. By means of optocouplers, 4000 VRMS output to measuring inputs, 4000 VRMS output to power supply input.	Type	Multidrop, bidirectional (static and dynamic variables)	
Purpose		Connections	2-wire Max. distance 1000m (without amplifier) Termination directly on the instrument	
Signal		Addresses	247, selectable by means of the front joystick	
Insulation		Protocol	MODBUS/JBUS (RTU)	
		Data (bidirectional)	Dynamic (reading only)	System and phase variables: see table "List of variables..."
			Static (reading and writing)	All the configuration parameters.
			Data format	1 start bit, 8 data bit, no parity, 1 stop bit
			Baud-rate	4800, 9600 bits/s
			Driver input capability	1/5 unit load Maximum 160 transceivers on the same bus, which can be expanded with signal amplifiers.
			Insulation	By means of optocouplers, 4000 VRMS output to measuring input. 4000 VRMS output to power supply input

Digital input specifications

Number of inputs	3		
Input frequency	20Hz max, duty cycle 50%		
Prescaler adjustment	From 0,1 to 999,9 m ³ or kWh/pulse		
Contact measuring voltage	5VDC +/- 5%		
Contact measuring current	10mA max		
Input impedance	680Ω		
Contact resistance	≤100Ω, closed contact ≥500kΩ, open contact		
Working modes	Selectable: <ul style="list-style-type: none"> • total and partial energy meters (kWh and kvarh) without digital inputs; • total and partial energy meters (kWh and kvarh) managed by time periods (t1-t2-t3-t4), W dmd synchronisation (the synchronisation is made every time the tariff changes) and GAS (m³) or WATER (hot-cold m³) or remote heating (kWh) meters; 	Note	<ul style="list-style-type: none"> • total and partial energy meters (kWh and kvarh) managed by time periods (t1-t2), W dmd synchronisation (the synchronisation is made independently of the tariff selection) and GAS (m³) or WATER (hot-cold m³) or remote heating (kWh) meters; • total energy (kWh, kvarh) and GAS, WATER (hot-cold m³) and remote heating meters (3 choices only).
		Insulation	The energy metering is only made by means of the analogue inputs. By means of optocouplers, 4000 VRMS digital inputs to measuring inputs. 4000 VRMS digital inputs to power supply input.

Software functions

Password	Numeric code of max. 4 digits; 2 protection levels of the programming data:		their maximum limits, the display shows the error message "EEEE". For EN50470-3 compliant applications the maximum power being measured is 25 MW.
1st level	Password "0", no protection;		
2nd level	Password from 1 to 9999, all data are protected		
System selection		Filter	
System 3-Ph.n unbalanced load	3-phase (4-wire); 3-phase (3-wire).	Operating range	0 to 100% of the input display scale
System 3-Ph.1 balanced load	3-phase (3-wire) one current and 3-phase to phase voltage measurements. 3-phase (4-wire) one current and one-phase (L1) to neutral voltage measurement.	Filtering coefficient	1 to 32
System 2-Ph	2-phase (3-wire).	Filter action	Measurements, serial output (fundamental variables: V, A, W and their derived ones).
System 1-Ph	1-phase (2-wire).	Displaying	Up to 3 variables per page See « Display pages » 8 different set of variables available (see « Display pages ») according to the application being selected
Transformer ratio		Alarm highlight	In case of alarm and if the relevant function is enabled, the display changes the colour alternatively from white backlight to blue backlight and vice versa.
VT (PT)	1.0 to 999.9 / 1000 to 6000.	Reset	By means of the front joystick: - dmd and max. dmd; - total energies and gas/water: kWh, kvarh; - partial energies and
CT	1.0 to 999.9 / 1000 to 9999 / 10.00k to 60.00k. The maximum power being measured cannot exceed 210 MW (calculated as maximum input voltage and current, see the "Accuracy" paragraph (on page 2). The maximum VT by CT ratio is 48600. If the currents and/or voltages being measured exceed		



Software functions (cont.)

Harmonic analysis	tariffs: kWh, kvarh Up to the 15th harmonics on single current and voltage	“F” and “H” types (see “display pages” table). For these latter selections the energies can be either “imported” or “exported” depending on the current direction.
Easy connection function	For all the display selections, both energy and power measurements are independent of the current direction. The displayed energy is always “imported” with the only exception of	

General specifications

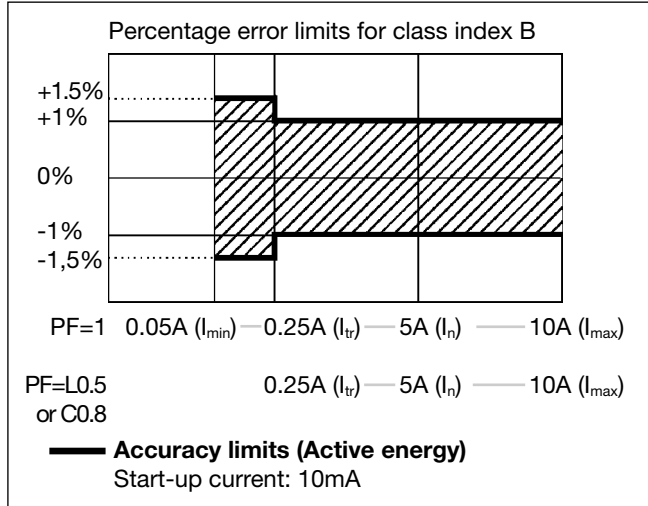
Operating temperature	-25°C to +55°C (-13°F to 131°F) (R.H. from 0 to 90% non-condensing @ 40°C) according to EN62053-21 and EN62053-23	Immunity to conducted disturbances	10V/m from 150KHz to 80MHz On current and voltage measuring inputs circuit: 4kV; on “L” auxiliary power supply input: 1kV; According to CISPR 22
Storage temperature	-30°C to +70°C (-22°F to 140°F) (R.H. < 90% non-condensing @ 40°C) according to EN62053-21 and EN62053-23	Surge	
Installation category	Cat. III (IEC60664, EN60664)	Radio frequency suppression	IEC60664, IEC61010-1 EN60664, EN61010-1 EN62052-11 EN62053-21, EN50470-3, EN62053-23. DIN43864, IEC62053-31 CE, cULus listed, MID (PF option only)
Insulation (for 1 minute)	4000 VRMS between measuring inputs and power supply. 4000 VRMS between power supply and RS485 digital outputs	Standard compliance Safety	
Dielectric strength	4000 VRMS for 1 minute	Metrology	Screw-type Max. 1.5 mm ²
Noise rejection CMRR	100 dB, 48 to 62 Hz	Pulse output	
EMC	According to EN62052-11	Approvals	96 x 96 x 63 mm ABS, self-extinguishing: UL 94 V-0 Panel mounting
Electrostatic discharges	15kV air discharge;	Connections Cable cross-section area	
Immunity to irradiated	Test with current: 10V/m from 80 to 2000MHz;	Housing Dimensions (WxHxD)	IP50 IP20
Electromagnetic fields	Test without any current: 30V/m from 80 to 2000MHz;	Material	
Burst	On current and voltage measuring inputs circuit: 4kV	Mounting	Approx. 400 g (packing included)
		Protection degree Front	
		Screw terminals	
		Weight	

Power supply specifications

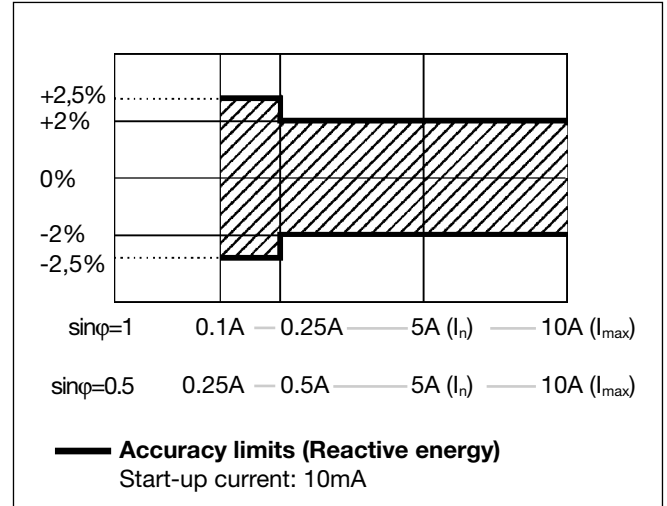
Auxiliary power supply	L: 18 to 60VAC/DC; H: 90 to 260VAC/DC (48 to 62Hz)	Power consumption	AC: 6VA DC: 3.5 W
-------------------------------	--	--------------------------	----------------------

Accuracy (according to EN50470-3 and EN62053-23)

kWh, accuracy (RDG) depending on the current



kvarh, accuracy (RDG) depending on the current



MID "Annex MI-003" compliance (PF option only)

Accuracy	0.9 $U_n \leq U \leq 1.1 U_n$; 0.98 $f_n \leq f \leq 1.02 f_n$; fn: 50 or 60Hz; cosφ: 0.5 inductive to 0.8 capacitive. Class B. I st: 0.01A; I min: 0.05A; I tr: 0.25A; I n: 5A; I max: 10A	EMC compliance	E2
AV5-AV6 models		Mechanical compliance	M2
Operating temperature	-25°C to +55°C (-13°F to 131°F) (R.H. from 0 to 90% non-condensing @ 40°C)	Protection degree	in order to achieve the protection against dust and water required by the norms harmonized to MID, the meter must be used only installed in IP51 (or better) cabinets.

Used calculation formulas

Phase variables

Instantaneous effective voltage

$$V_{1N} = \sqrt{\frac{1}{n} \cdot \sum_{i=1}^n (V_{1N})_i^2}$$

Instantaneous active power

$$W_1 = \frac{1}{n} \cdot \sum_{i=1}^n (V_{1N})_i \cdot (A_1)_i$$

Instantaneous power factor

$$PF = \frac{W_1}{VA_1}$$

Instantaneous effective current

$$A_1 = \sqrt{\frac{1}{n} \cdot \sum_{i=1}^n (A_1)_i^2}$$

Instantaneous apparent power

$$VA_1 = V_{1N} \cdot A_1$$

Instantaneous reactive power

$$var_1 = \sqrt{(VA_1)^2 - (W_1)^2}$$

Where: n= sample number

System variables

Equivalent three-phase voltage

$$V_{\Sigma} = \frac{V_1 + V_2 + V_3}{3}$$

Three-phase reactive power

$$var_{\Sigma} = (var_1 + var_2 + var_3)$$

Three-phase active power

$$W_{\Sigma} = W_1 + W_2 + W_3$$

Three-phase apparent power

$$VA_{\Sigma} = \sqrt{W_{\Sigma}^2 + var_{\Sigma}^2}$$

Three-phase power factor

$$\cos\phi_{\Sigma} = \frac{W_{\Sigma}}{VA_{\Sigma}} \quad (TPF)$$

Energy metering

$$kWh_1 = \int_{t_1}^{t_2} P_1(t) dt \cong \Delta t \sum_{j=n_1}^{n_2} P_1(j)$$

$$kvarh_1 = \int_{t_1}^{t_2} Q_1(t) dt \cong \Delta t \sum_{j=n_1}^{n_2} Q_1(j)$$

Where:

P= active power;

Q= reactive power;

t₁, t₂ =starting and ending time points of consumption recording;

n_j= time unit;

Δt= time interval between two successive power consumptions;

n₁, n₂ = starting and ending discrete time points of consumption recording



List of the variables that can be connected to:

- RS485 communication port
- Alarm outputs (“max” variable”, “energies” and “hour counter” excluded)
- Pulse outputs (only “energies”)

No	Variable	1-phase system	2-phase system	3-ph. 4-wire balanced sys.	3-ph. 4-wire unbal. sys.	3 ph. 3-wire bal. sys.	3 ph. 3-wire unbal. sys.	Notes
1	V L-N sys	o	x	x	x	x	x	sys=system
2	V L1	x	x	x	x	x	x	
3	V L2	o	x	x	x	x	x	
4	V L3	o	o	x	x	x	x	
5	V L-L sys	o	x	x	x	x	x	sys=system
6	V L1-2	o	x	x	x	x	x	
7	V L2-3	o	o	x	x	x	x	
8	V L3-1	o	o	x	x	x	x	
9	A dmd max	o	x	x	x	x	x	Highest “dmd” current among the phases (1)
10	A L1	x	x	x	x	x	x	
11	A L2	o	x	x	x	x	x	
12	A L3	o	o	x	x	x	x	
13	VA sys	x	x	x	x	x	x	sys=system
14	VA sys dmd	x	x	x	x	x	x	sys=system (1)
15	VA L1	x	x	x	x	x	x	
16	VA L2	o	x	x	x	x	x	
17	VA L3	o	o	x	x	x	x	
18	var sys	x	x	x	x	x	x	sys=system
19	var L1	x	x	x	x	x	x	
20	var L2	o	x	x	x	x	x	
21	var L3	o	o	x	x	x	x	
22	W sys	x	x	x	x	x	x	sys=system
23	W sys dmd	x	x	x	x	x	x	sys=system (1)
24	W L1	x	x	x	x	x	x	
25	W L2	o	x	x	x	x	x	
26	W L3	o	o	x	x	x	x	
27	PF sys	x	x	x	x	x	x	
28	PF L1	x	x	x	x	x	x	
29	PF L2	o	x	x	x	x	x	
30	PF L3	o	o	x	x	x	x	
31	Hz	x	x	x	x	x	x	
32	Phase seq.	o	o	x	x	x	x	
33	Hours	x	x	x	x	x	x	
34	kWh (+)	x	x	x	x	x	x	Total or by user
35	kvarh (+)	x	x	x	x	x	x	Total or by user
36	kWh (+)	x	x	x	x	x	x	Partial or by tariff
37	kvarh (+)	x	x	x	x	x	x	Partial or by tariff
38	kWh (-)	x	x	x	x	x	x	Total
39	kvarh (-)	x	x	x	x	x	x	Total
40	m ³ Gas	x	x	x	x	x	x	Total
41	m ³ Cold H ₂ O	x	x	x	x	x	x	Total
42	m ³ Hot H ₂ O	x	x	x	x	x	x	Total
43	kWh H ₂ O	x	x	x	x	x	x	Total
44	A L1 THD	x	x	x	x	x	x	
45	A L2 THD	o	x	x	x	x	x	
46	A L3 THD	o	o	x	x	x	x	
47	V L1 THD	x	x	x	x	x	x	
48	V L2 THD	o	x	x	x	x	x	
49	V L3 THD	o	o	x	x	x	x	
50	V L1-2 THD	x	x	x	x	x	x	
51	V L2-3 THD	o	x	x	x	x	x	
52	V L3-1 THD	o	o	x	x	x	x	

(x) = available

(o) = not available (zero indication on the display)

(1) Max. value with data storage

Display pages

Sel. pos.	No	1st variable (1st line)	2nd variable (2nd line)	3rd variable (3rd line)	Note	Applications							
						A	B	C	D	E	F	G	H
	1	Total kWh (+)	W sys dmd	W sys dmd max		x	x	x		x	x	x	x
	2	kWh (+)	A dmd max	"PArT"	"PArT" = Partial kWh (+)						x	x	x
	3	Total kvarh (+)	VA sys dmd	VA sys dmd max			x	x			x	x	x
	4	kvarh (+)	VA sys	"PArT"	"PArT" = Partial kvarh (+)						x	x	x
	5	Totalizer 1 (2)	W sys	(text) (3)	(1)			x			x	x	x
	6	Totalizer 2 (2)	W sys	(text) (3)	(1)			x			x	x	x
	7	Totalizer 3 (2)	W sys	(text) (3)	(1)			x			x	x	x
	8	kWh (+)	t1 (text) (4)	W sys dmd	(1) digital input enabled			x			x	x	x
	9	kWh (+)	t2 (text) (4)	W sys dmd	(1) digital input enabled			x			x	x	x
	10	kWh (+)	t3 (text) (4)	W sys dmd	(1) digital input enabled			x			x	x	x
	11	kWh (+)	t4 (text) (4)	W sys dmd	(1) digital input enabled			x			x	x	x
	12	kvarh (+)	t1 (text) (4)	W sys dmd	(1) digital input enabled			x			x	x	x
	13	kvarh (+)	t2 (text) (4)	W sys dmd	(1) digital input enabled			x			x	x	x
	14	kvarh (+)	t3 (text) (4)	W sys dmd	(1) digital input enabled			x			x	x	x
	15	kvarh (+)	t4 (text) (4)	W sys dmd	(1) digital input enabled			x			x	x	x
	16	kWh (+) X	W X	User X	(1) specific function enabled				x				
	17	kWh (+) Y	W Y	User Y	(1) specific function enabled				x				
	18	kWh (+) Z	W Z	User Z	(1) specific function enabled				x				
	19	Total kvarh (-)	VA sys dmd	VA sys dmd max							x		x
	20	Total kWh (-)	W sys dmd	W sys dmd max						x	x		x
	21	Hours	W sys	PF sys						x	x	x	x
	22	Hours	var sys	PF sys						x	x	x	x
	23	W L1	W L2	W L3					x			x	x
	24	VA L1	VA L2	VA L3								x	x
	25	var L1	var L2	var L3								x	x
	26	PF L1	PF L2	PF L3								x	x
	27	V L1	V L2	V L3			x		x	x		x	x
	28	V L1-2	V L2-3	V L3-1								x	x
	29	A L1	A L2	A L3						x		x	x
	30	Phase seq.	V LN sys	Hz		x	x	x		x	x	x	x
	31	Phase seq.	V LL sys	Hz							x	x	x
	32	ASY	V LL sys	%							x	x	x
	33	ASY	V LN sys	%							x	x	x
	34	THD A1	THD A2	THD A3								x	x
	35	THD V1	THD V2	THD V3								x	x
	36	THD V12	THD V23	THD V 31								x	x
	37	Lot number	Year	DMD time		x	x	x	x	x	x	x	x
	38	CT ratio	Value of CT	System		x	x	x	x	x	x	x	x
	39	VT/PT ratio	Value of VT	Connection		x	x	x	x	x	x	x	x
40 a	Alarm 1 status	Set-point value	Variable type				x		x		x	x	
41 a	Alarm 2 status	Set-point value	Variable type				x		x		x	x	
42 a	Alarm 3 status	Set-point value	Variable type				x		x		x	x	
40 b	Pulse 1 status	Output pulse				x	x	x	x	x	x	x	x
41 b	Pulse 2 status	Output pulse				x	x	x	x	x	x	x	x
42 b	Pulse 3 status	Output pulse				x	x	x	x	x	x	x	x
43	Serial port	Address	RS485 status			x	x	x	x	x	x	x	x
0	Selector position which can be linked to any of the variable combinations listed above (No. from 1 to 36)												
1	Selector position which can be linked to any of the variable combinations listed above (No. from 1 to 36)												
2	Selector position which can be linked to any of the variable combinations listed above (No. from 1 to 36)												
3	Selector position which can be linked to any of the variable combinations listed above (No. from 1 to 36). In this position the front LED blinks proportionally to the reactive energy (kvarh) being measured												

(1) The page is available according to the enabled measurement. (2) m³ Gas, m³ Water, kWh remote heating. (3) Hot or Cold (water). (4) The active tariff is displayed with an "A" before the "t1-t2-t3-t4" symbols.

Additional available information on the display

Type	1st line	2nd line	3rd line
Meter information pag. 1	Lot (production day)	Year of production	dmd time
Meter information pag. 2	CT ratio	Value of CT ratio	System (1-2-3-phase)
Meter information pag. 3	PT ratio	Value of PT ratio	Connection (2-3-4-wire)
In case of alarm output pag.4a	Alarm output 1, 2 or 3 status (ON/OFF)	Set-point value	Variable type
In case of pulse output pag. 4b	Pulse output 1,2 or 3 variable link (kWh/kvarh)	Output pulse weight (kWh/kvarh per pulse)	
In case of communication port pag.5	Serial port	Address	RS485 status (RX-TX)

List of selectable applications

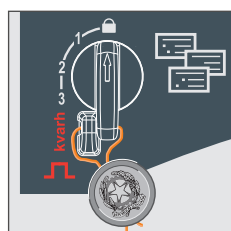
	Description	Notes
A	Basic domestic	Main energy metering
B	Shopping centres	Main energy metering
C	Advanced domestic	Main energy metering (total and based on tariff), gas and water metering
D	Multi domestic (also camping and marinas)	Main energy metering (3 by single phase)
E	Solar	Energy meter with some basic power analyzer functions
F	Industrial	Main energy metering
G	Advanced industrial	Energy metering and power analysis
H	Advanced industrial for power generation	Complete energy metering and power analysis

Insulation between inputs and outputs

	Measuring Inputs	Relay output	Open collector outputs	Comm. port	Digital inputs	Auxiliary power supply
Measuring Inputs	-	4kV	4kV	4kV	4kV	4kV
Relay output	4kV	-	-	4kV	-	4kV
Open collector outputs	4kV	-	-	4kV	-	4kV
Comm. port	4kV	4kV	4kV	-	4kV	4kV
Digital inputs	4kV	-	-	4kV	-	4kV
Aux. power supply	4kV	4kV	4kV	4kV	4kV	-

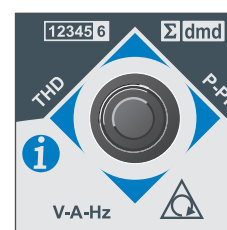
NOTE: all the models with auxiliary power supply have, mandatory, to be connected to external current transformers because the insulation among the current inputs is just functional (100VAC).

Tamper proof and display page selection



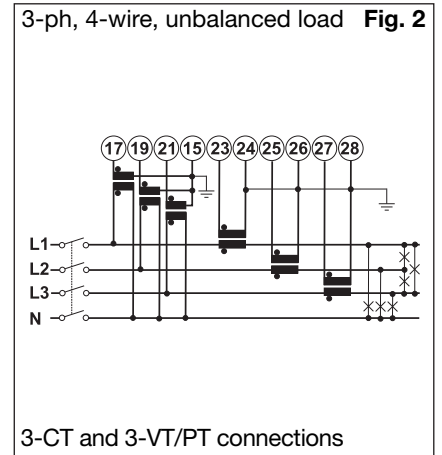
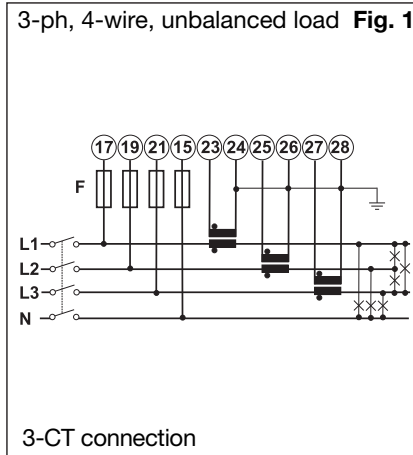
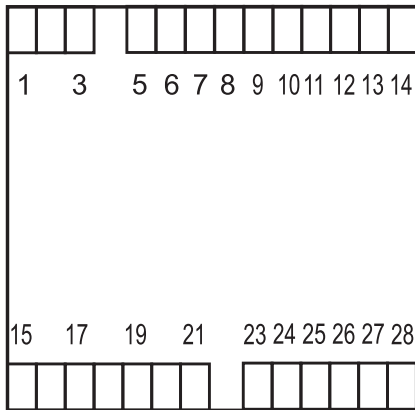
Lock of programming with seal.
Selection of up to 4 main pages
(programmable by the user).

Easy access to specific display pages.

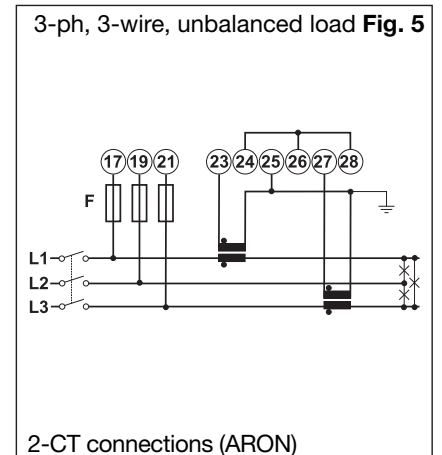
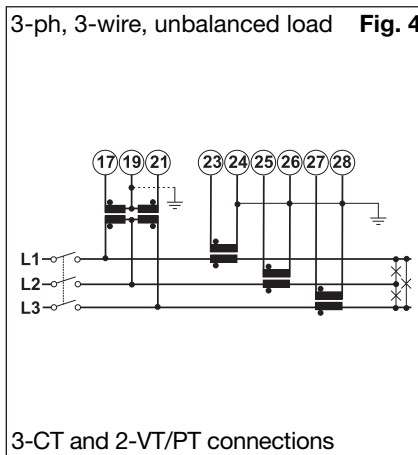
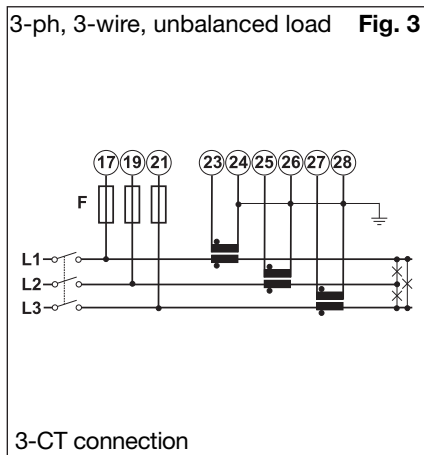


Wiring diagrams

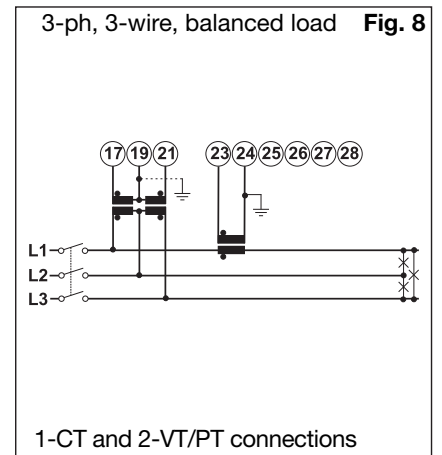
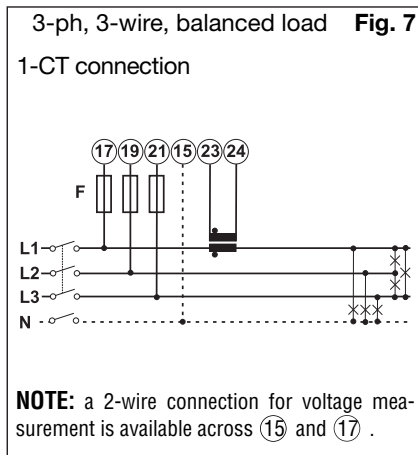
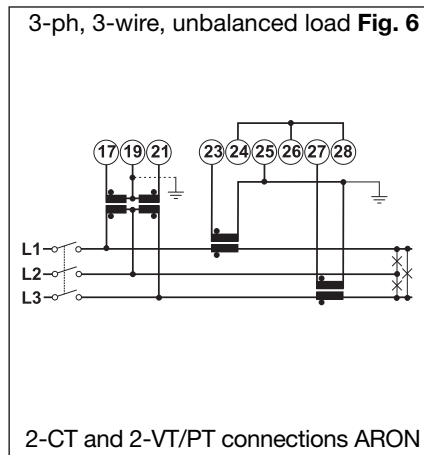
System type selection: 3P.n



System type selection: 3P.n

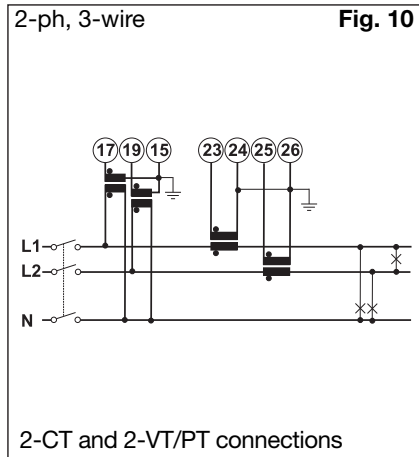
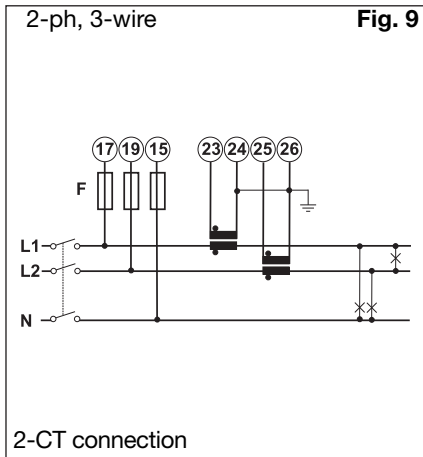


System type selection: 3P.1

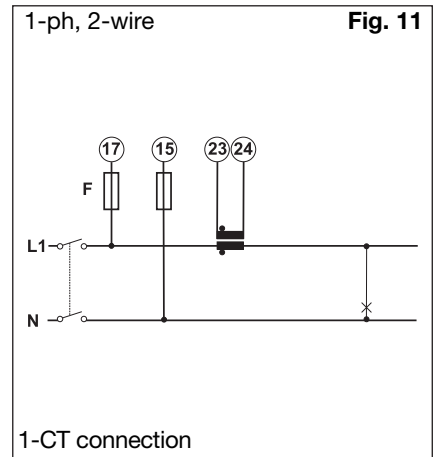


Wiring diagrams

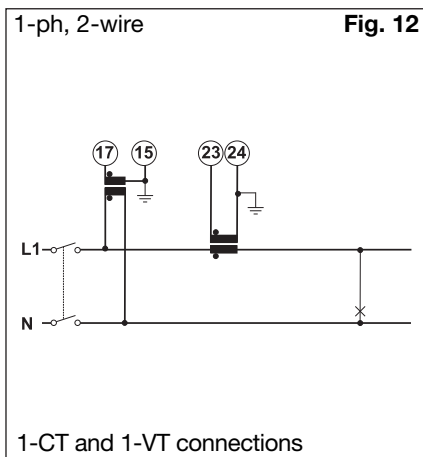
System type selection: 2P



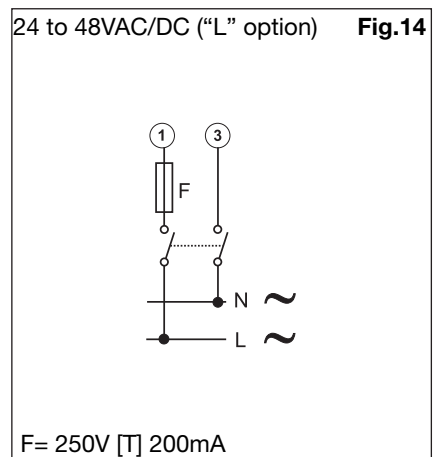
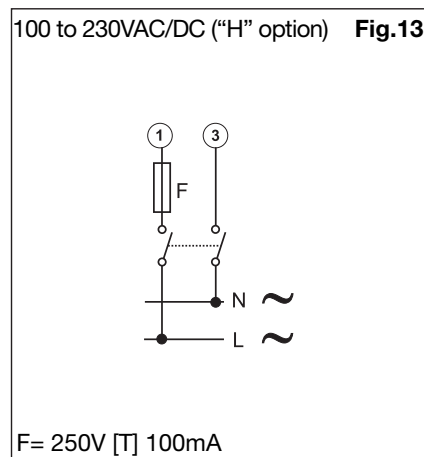
System type selection: 1P



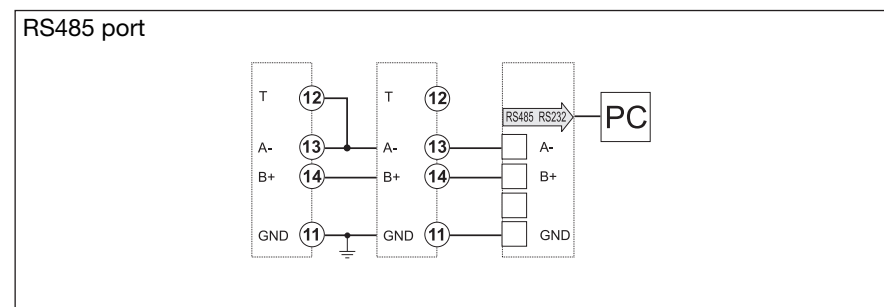
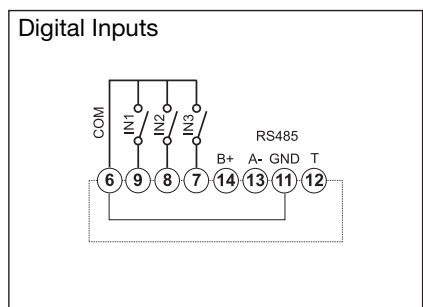
System type selection: 1P



Auxiliary power supply wiring diagrams

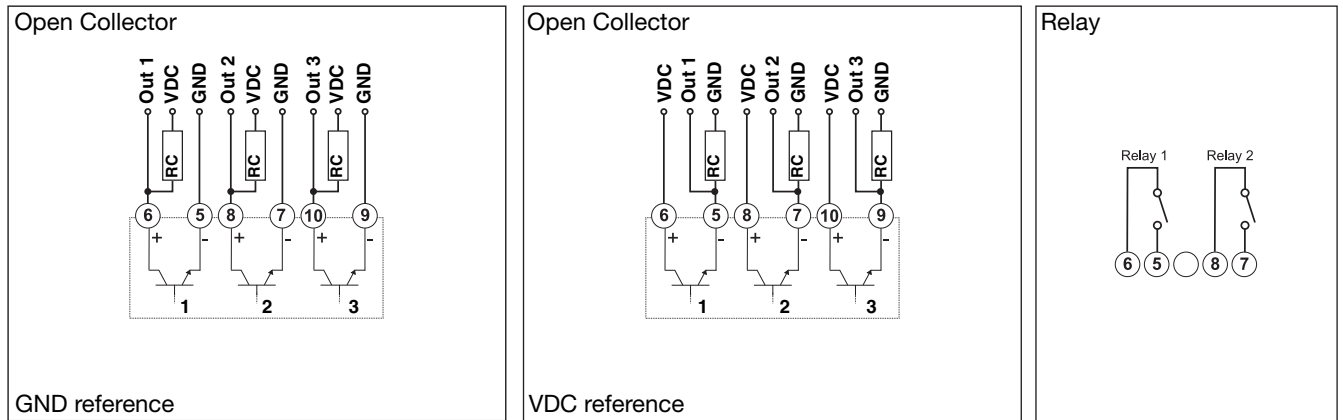


Digital inputs and RS485 port wiring diagrams



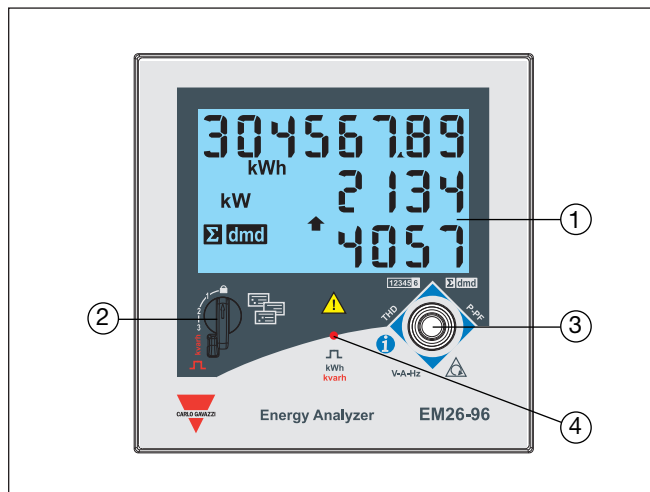
RS485 NOTE: additional devices provided with RS485 are connected in parallel. The termination of the serial output is carried out only on the last instrument of the network, by means of a jumper between (A-) and (T).

Open collector and relay outputs wiring diagrams



The load resistances (RC) must be designed so that the close contact current is lower than 100mA; the VDC voltage must be lower than or equal to 30VDC.

Front panel description



1. **Display**
LCD-type with alphanumeric indications to:
 - display configuration parameters;
 - display all the measured variables.
2. **Selector**
To select the desired display pages and to lock the programming.
3. **Joystick**
To program the configuration parameters and scroll the variables on the display.
4. **LED**
Red LED blinking proportionally to the energy being measured.

Dimensions and Panel Cut-out

