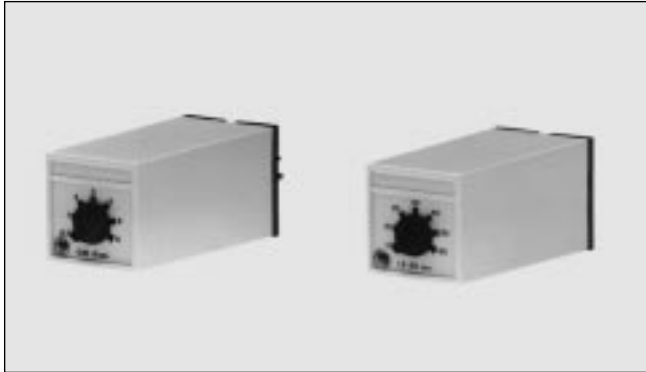


# Timers

## Delay on Release

### Types B 128, B 121



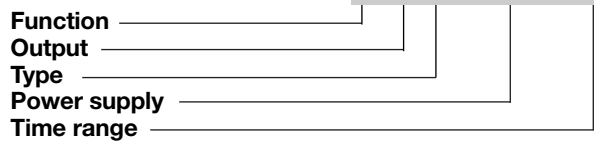
- Time ranges: 0.15 s to 60 s
- Automatic start after drop out of power supply
- Knob-adjustable time within range
- Repeatability deviation:  $\leq 1\%$
- Output: 10 A SPDT relay
- Plug-in type module
- Scantimer housing
- LED-indication for supply on
- AC or DC power supply

### Product Description

Mono-function, plug-in, delay on release, miniature time relays up to 60 s covering 2 individual time ranges. These economical timers are often used to switch on an exhaust fan and keep it running for a certain period of time after disconnection of power supply.

### Ordering Key

**B 128 220 006**



### Type Selection

Plug	Output	Time ranges	Supply: 24 VAC	Supply: 120 VAC	Supply: 220 VAC	Supply: 24 VDC
Circular 8 pins	SPDT	0.15 - 6 s	B 128 024 006	B 128 120 006	B 128 220 006	B 128 724 006
		1.5 - 60 s	B 128 024 060	B 128 120 060	B 128 220 060	B 128 724 060
Circular 11 pins	SPDT	0.15 - 6 s	B 121 024 006	B 121 120 006	B 121 220 006	B 121 724 006
		1.5 - 60 s	B 121 024 060	B 121 120 060	B 121 220 060	B 121 724 060

### Time Specifications

<b>Time ranges</b>	0.15 - 6 s 1.5 - 60 s
<b>Time range accuracy</b>	0 to +20% on max. min. actual time $\leq$ min. set time
<b>Repeatability deviation</b>	$\leq 1\%$
<b>Time variation</b> Within rated power supply and ambient temperature	$\leq 0.05\%/V$ $\leq 0.2\%/^{\circ}C$
<b>Reset</b> Time and/or relay	Power supply interruption $\geq 500$ ms

### Output Specifications

<b>Output</b> Basic electrical insulation	SPDT relay 250 VAC (rms) (contact/electronics)
<b>Contact ratings (AgCdO)</b> Resistive loads	$\mu$ (micro gap) 10 A/250VAC (2500 VA) 1 A/250 VDC (250 W) or 10 A/25 VDC (250 W)
Small inductive loads	AC 15 2.5 A/230 VAC DC 13 5 A/24 VDC
<b>Mechanical life</b>	$\geq 30 \times 10^6$ operations
<b>Electrical life</b>	AC 1 $\geq 2.5 \times 10^5$ operations (at max. load)
<b>Operating frequency</b>	$\leq 7200$ operations/h
<b>Insulation voltages</b> Rated insulation voltage Rated transient protection volt.	$\geq 2.0$ kVAC (rms) (cont./elec.) 4 kV (1.2/50 $\mu$ s) (cont./elec.) (IEC 60664)



## Supply Specifications

<b>Power supply AC types</b>	Installation cat. III (IEC 60664)	
Rated operational voltage		
Through pins 2 & 10 or pins 2 & 7	220	220 VAC ±15%, 45 to 65 Hz
	120	120 VAC ±15%, 45 to 65 Hz
	024	24 VAC ±15%, 45 to 65 Hz
Dropout tolerance		≥ 10 ms
Rated insulation voltage		None
Rated transient protection volt.		4 kV (1.2/50 μs) @ 220 VAC 2.5 kV (1.2/50 μs) @ 120 VAC 800 V (1.2/50 μs) @ 24 VAC (line/neutral)
<b>Power supply DC type</b>	Installation cat. III (IEC 60664)	
Rated operational voltage 724		24 VDC + 15/- 20% (pin 2 pos.)
Rated insulation voltage		None
Rated transient protection volt.		800 V (1.2/50 μs)
<b>Consumption</b>	AC supply	60 mA @ 50 Hz/70 mA @ 60 Hz
	DC supply	1 W

## General Specifications

<b>Power ON time</b>	≥ 200 ms
<b>Indication for Power supply ON</b>	LED, red
<b>Environment</b>	
Degree of protection	IP 20 B
Pollution degree	2 (IEC 60664)
Operating temperature	-20° to +50°C (-4° to +122°F)
Storage temperature	-50° to +85°C (-58° to +185°F)
<b>Weight</b>	85 g
<b>Approval</b>	UL, CSA

## Mode of Operation

The relay operates immediately after power supply is applied.

When power supply is interrupted, the time period starts and at the end of the set time the relay releases.

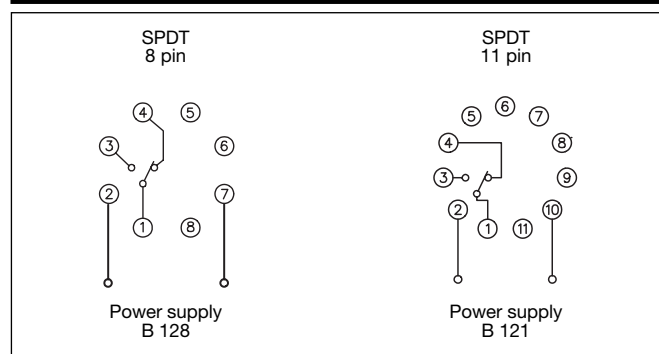
If power supply is reapplied before the relay releases, the time is reset and the relay remains on.

B 121/B 128 monitor that power supply is applied. If power supply is interrupted, the relay starts e.g. an alarm (battery driven) after the time period has expired.

**Please note**

B 128 and B 121 should not be operated by pulses shorter than 500 ms.

## Wiring Diagrams



## Time Setting

Knob-adjustable on scale in seconds.

## Accessories

Sockets◇	S 408, S 411
Hold down spring◇	HF
Mounting rack	SM 13
Socket cover	BB 4
Potentiometer lock	PL 1

For further information refer "Accessories".

## Operation Diagram

